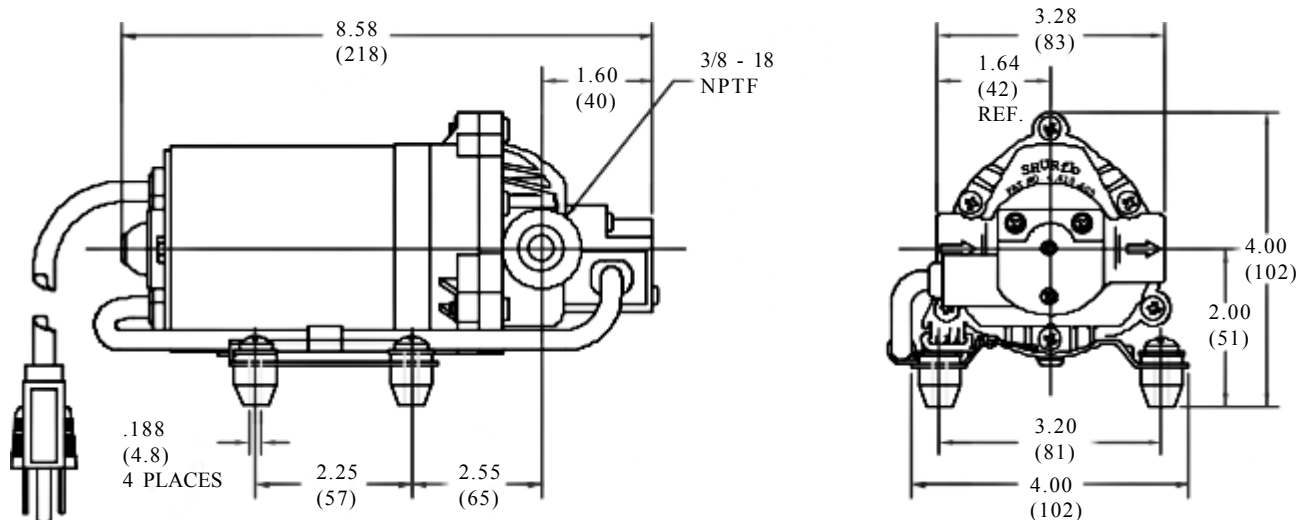


SPECIFICATIONS:

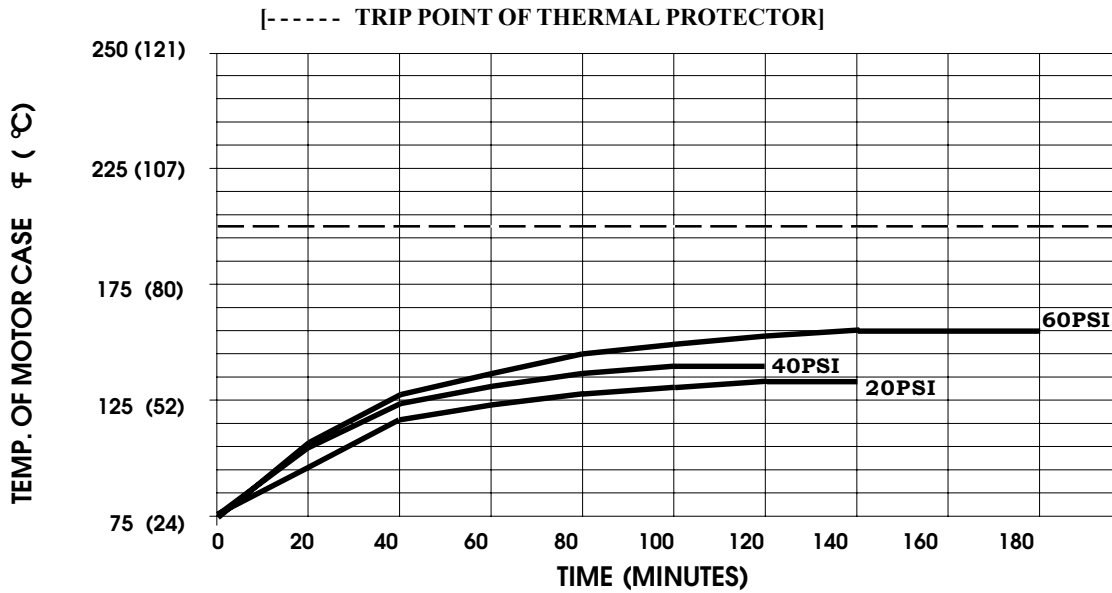
- MODEL NUMBER:** 8025-733-256
- PUMP DESIGN:** Positive Displacement 3 Chamber Diaphragm Pump
- CHECK VALVE:** (1-Way Operation) Prevents Reverse Flow
- CAM:** 3.0 Degree
- MOTOR:** Permanent Magnet, P/N 11-195-01, Thermally Protected
- VOLTAGE:** 115 VAC Nominal
- PRESSURE SWITCH:** Adjustable Shut-Off (Range 40-60 PSI)
 Factory Set @ 60 PSI, Turn On 45 PSI +/- 5 PSI
- LIQUID TEMPERATURE:** 180 Degrees Fahrenheit (82 Degrees Centigrade) Max.
- PRIME:** Self-Priming Up To 14 Ft. Vertical,
 Max. Inlet Pressure 30 PSI (2.1 Bar)
- PORTS:** 3/8"-18 NPT Female
- MATERIAL OF CONSTRUCTION:**
 - PLASTICS-** Nylon
 - VALVES-** EPDM
 - DIAPHRAGM-** Santoprene
 - FASTENERS-** Zinc Plated Steel
- NET WEIGHT:** 5.3 Lbs (2.4 Kg)
- DUTY CYCLE:** Intermittent (See Temperature Rise Chart)
- APPROVALS:** UL/CSA/NSF Listed
- TYPICAL APPLICATIONS:** Soil Extraction, Water Delivery
- BYPASS:** 45PSI

DIMENSIONS:



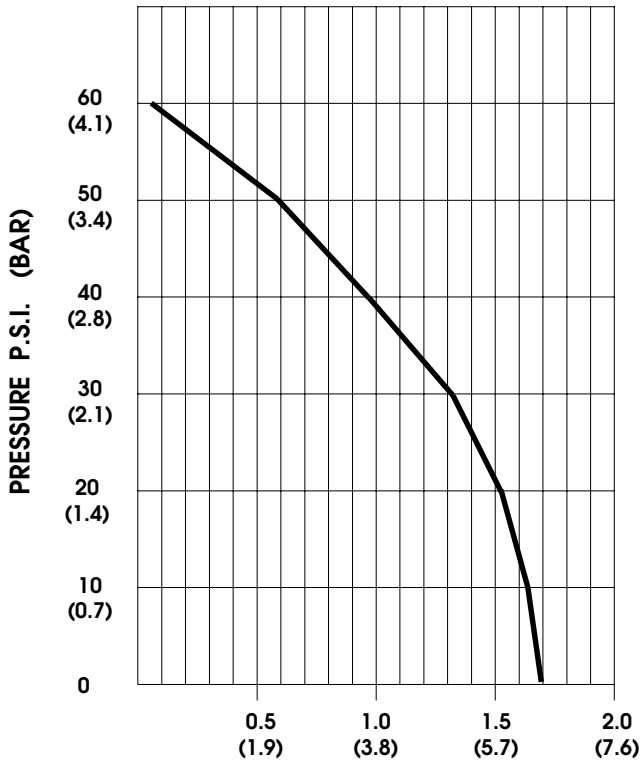
TEMPERATURE RISE

MODEL: 8025-733-256



THIS GRAPH IS FOR USE AS A DESIGN GUIDE. IT IS BASED ON RUNNING CONTINUOUSLY WITH AN AMBIENT TEMPERATURE OF 75° F IN STILL AIR. THE THERMAL BREAKER WILL OPEN WHEN THE CASE TEMPERATURE REACHES 203° F.

TYPICAL PERFORMANCE



PRESSURE (PSI)	FLOW (GPM/LIT)	RPM MIN/MAX	CURRENT (AMPS)	VOLTAGE (VOLTS)
OPEN	1.70/5.7	2135/2150	0.34	115VAC
10	1.63/5.3	2090/2100	0.38	"
20	1.52/5.0	2015/2050	0.44	"
30	1.35/4.7	1960/1965	0.49	"
40	0.86/4.3	1910/1915	0.54	"
50	0.59/4.2	1845/1855	0.59	"
60	0.03/4.0	1700/1795	0.61	"

FLOW - GALLONS PER MINUTE (LITERS PER MINUTE)

-SPECIFICATIONS SUBJECT TO CHANGE WITHOUT NOTICE.

-ALL DATA BASED ON TESTING WITH WATER AT AMBIENT TEMPERATURE.