

**SPECIFICATIONS:**

**MODEL NUMBER:** 8000-812-288

**PUMP DESIGN:** Positive Displacement 3 Chamber Diaphragm Pump

**CHECK VALVE:** (2-Way Op.) Prevents Reverse Flow and 6 Ft. Head Forward Flow

**CAM:** 2.5 Degree

**MOTOR:** Permanent Magnet, P/N 11-150-10, Thermally Protected

**VOLTAGE:** 115 VAC Nominal

**PRESSURE SWITCH:** Adjustable Shut-Off (Range 80-100 PSI)

Factory Set @100 PSI, Turn On 85 PSI  $\pm$  5 PSI

**LIQUID TEMPERATURE:** 180 Degrees Fahrenheit (82 Degrees Centigrade) Max.

**PRIME:** Self-Priming Up To 7.0 Ft. Vertical,  
Max. Inlet Pressure 30 PSI (2.1 Bar)

**PORTS:** 3/8"-18 NPT, Female

**MATERIAL OF CONSTRUCTION:**

**PLASTICS-** Nylon

**VALVES-** Viton

**DIAPHRAGM-** Viton (Switch), Santoprene (Main)

**FASTENERS-** Zinc Plated Steel

**NET WEIGHT:** 4.9 Lbs (2.2 Kg)

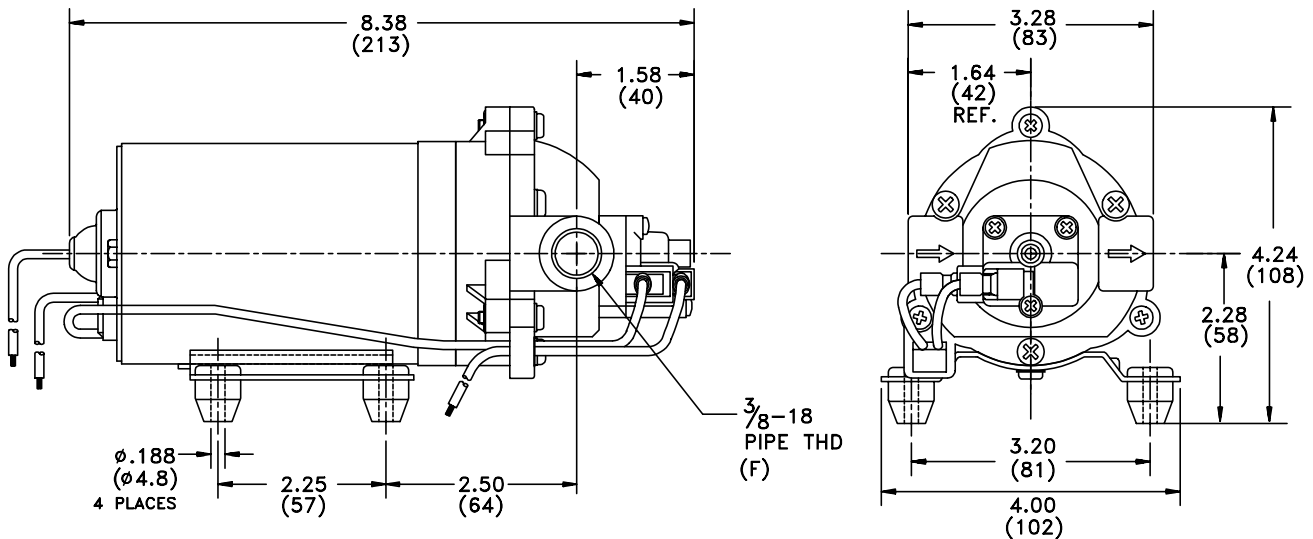
**DUTY CYCLE:** Intermittent (See Temperature Rise Chart)

**APPROVALS:** UL/CSA Recognized

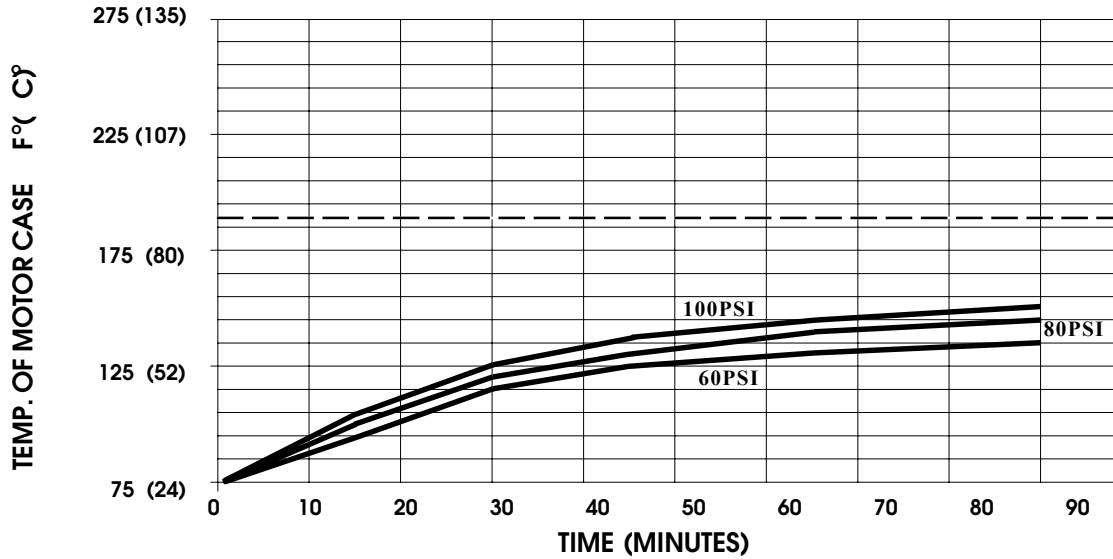
**TYPICAL APPLICATIONS:** Soil Extraction

**BYPASS:** 80 PSI

**DIMENSIONS:**



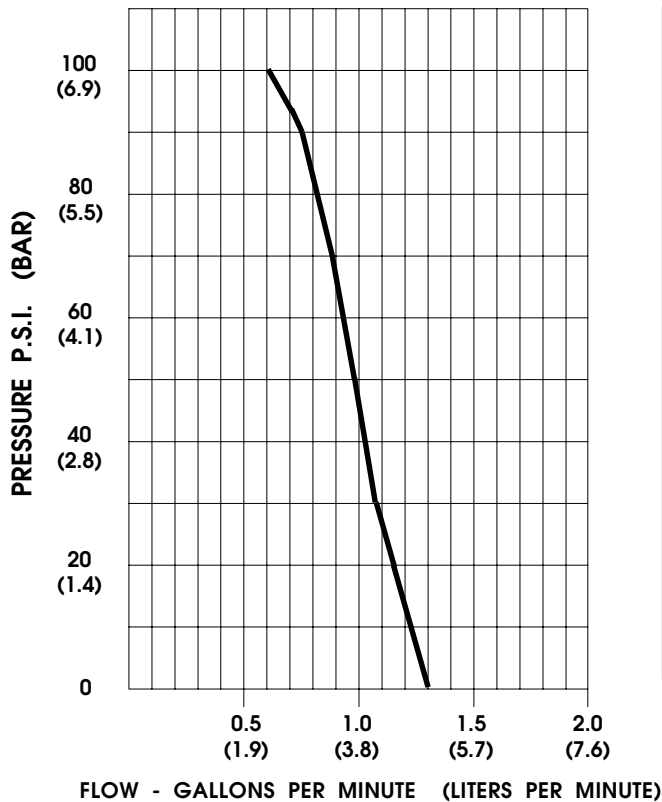
### TEMPERATURE RISE



THIS GRAPH IS FOR USE AS A DESIGN GUIDE. IT IS BASED ON RUNNING CONTINUOUSLY WITH AN AMBIENT TEMPERATURE OF 70° F IN STILL AIR. THE THERMAL BREAKER WILL OPEN WHEN THE CASE TEMPERATURE REACHES 190° F.

(- - - - - TRIP POINT OF THERMAL PROTECTOR)

### TYPICAL PERFORMANCE



PRESSURE (PSI)	FLOW (GPM/LIT)	RPM MIN/MAX	CURRENT (AMPS)	VOLTAGE (VOLTS)
OPEN	1.30/4.9	2195/2290	0.30	115 VAC
10	1.21/4.6	2185/2215	0.35	"
20	1.13/4.3	2100/2160	0.39	"
30	1.06/4.0	2035/2100	0.43	"
40	1.02/3.9	1975/2050	0.47	"
50	0.96/3.6	1940/2000	0.51	"
60	0.94/3.5	1890/1950	0.55	"
70	0.89/3.4	1850/1915	0.58	"
80	0.82/3.1	1805/1875	0.61	"
90	0.73/2.8	1775/1850	0.64	"
100	0.60/2.3	1735/1810	0.67	"

*-SPECIFICATIONS SUBJECT TO CHANGE WITHOUT NOTICE.*

*-ALL DATA BASED ON TESTING WITH WATER AT AMBIENT TEMPERATURE.*