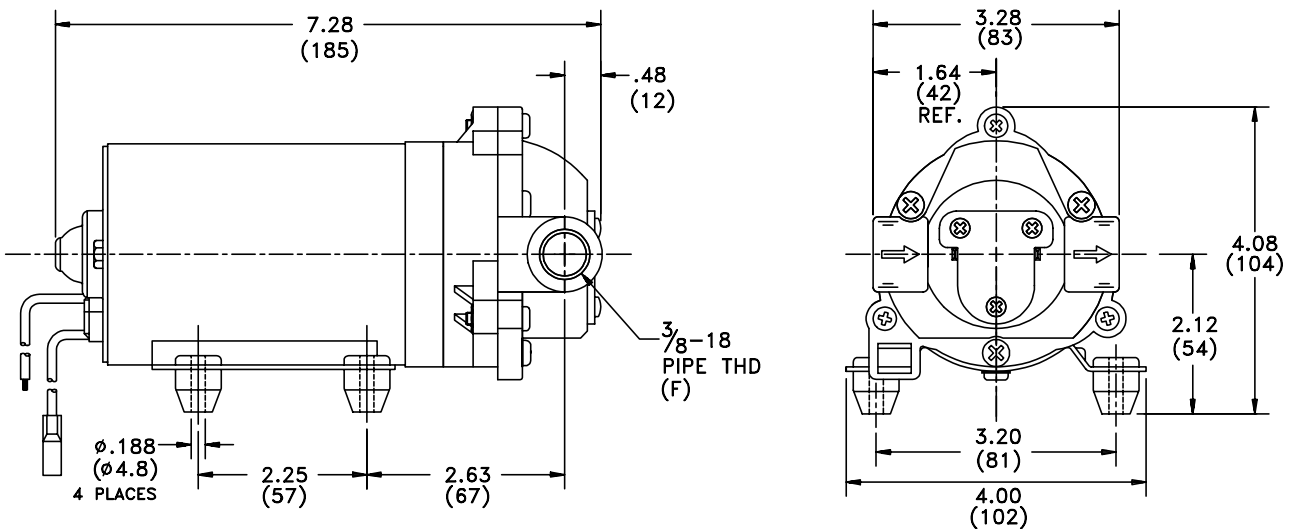


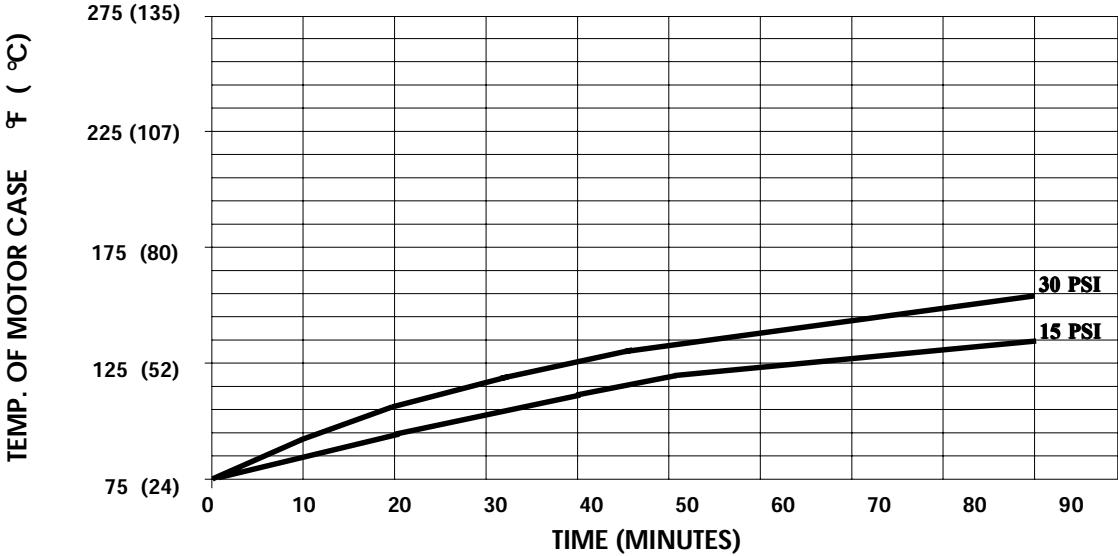
**SPECIFICATIONS:**

**MODEL NUMBER:** 8000-643-210  
**PUMP DESIGN:** Positive Displacement 3 Chamber Diaphragm Pump  
**CAM:** 3.0 Degree  
**MOTOR:** Permanent Magnet, P/N 11-173-00  
**VOLTAGE:** 12 VDC Nominal  
**PRESSURE SWITCH:** None  
**LIQUID TEMPERATURE:** 180 Degrees Fahrenheit (82 Degrees Centigrade) Max.  
**PRIME:** Self-Priming Up To 14 Ft. Vertical,  
 Max. Inlet Pressure 30 PSI (2.1 Bar)  
**PORTS:** 3/8"-18 NPT Female  
**MATERIAL OF CONSTRUCTION:**  
     **PLASTICS-** Nylon  
     **VALVES-** Buna-n  
     **DIAPHRAGM-** Geolast (Main), Buna-n (Switch Chamber)  
     **FASTENERS-** Zinc Plated Steel  
**NET WEIGHT:** 4.0 Lbs (1.8 Kg)  
**DUTY CYCLE:** Continuous (See Temperature Rise Chart)  
**TYPICAL APPLICATIONS:** Transmission Fluid Circulation  
**BYPASS:** 35 PSI

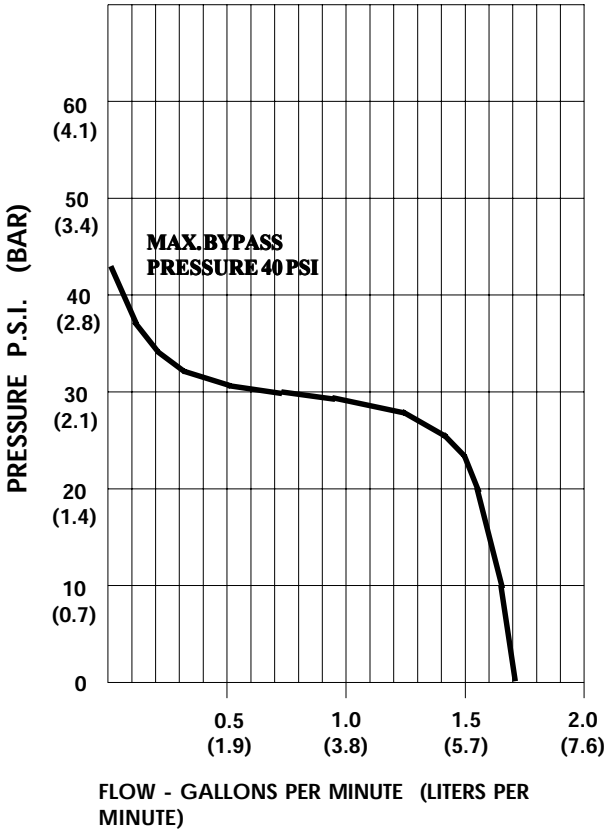
**DIMENSIONS:**



**TEMPERATURE RISE**



**TYPICAL PERFORMANCE**



PRESSURE (PSI)	FLOW (GPM/LIT)	RPM MIN/MAX	CURRENT (AMPS)	VOLTAGE (VOLTS)
OPEN	1.72/6.5	2225/2250	3.2	12 VDC
10	1.64/6.2	2175/2190	3.9	"
20	1.56/5.9	2130/2145	4.6	"
30	1.10/4.2	2080/2095	5.2	"
40	0.05/.19	2035/2045	5.6	"

*-SPECIFICATIONS SUBJECT TO CHANGE WITHOUT NOTICE.  
-ALL DATA BASED ON TESTING WITH WATER.*