

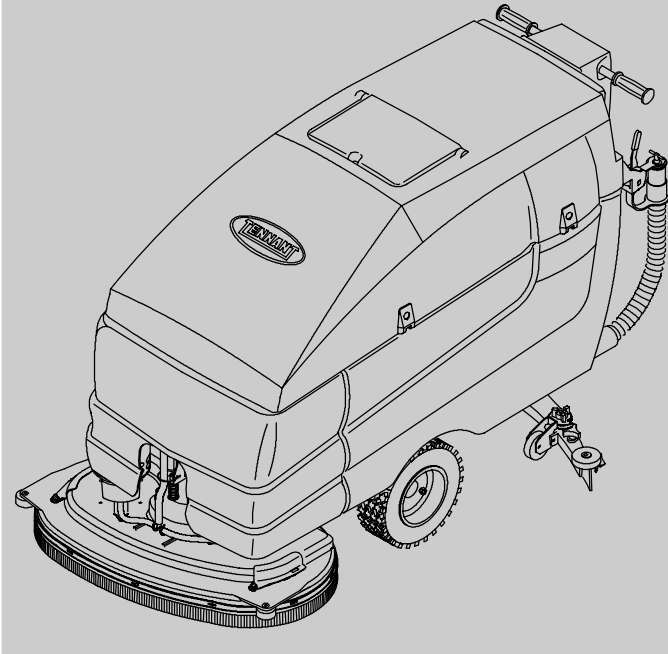
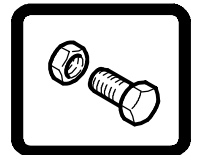


# 5680

(Electric)

(10000000- )

## Walk-Behind Scrubber Parts Manual



**FaST**  
Foam Scrubbing Technology

*The Safe Scrubbing Alternative*<sup>®</sup>

**eC H<sub>2</sub>O**<sup>™</sup>  
ELECTRICALLY CONVERTED WATER

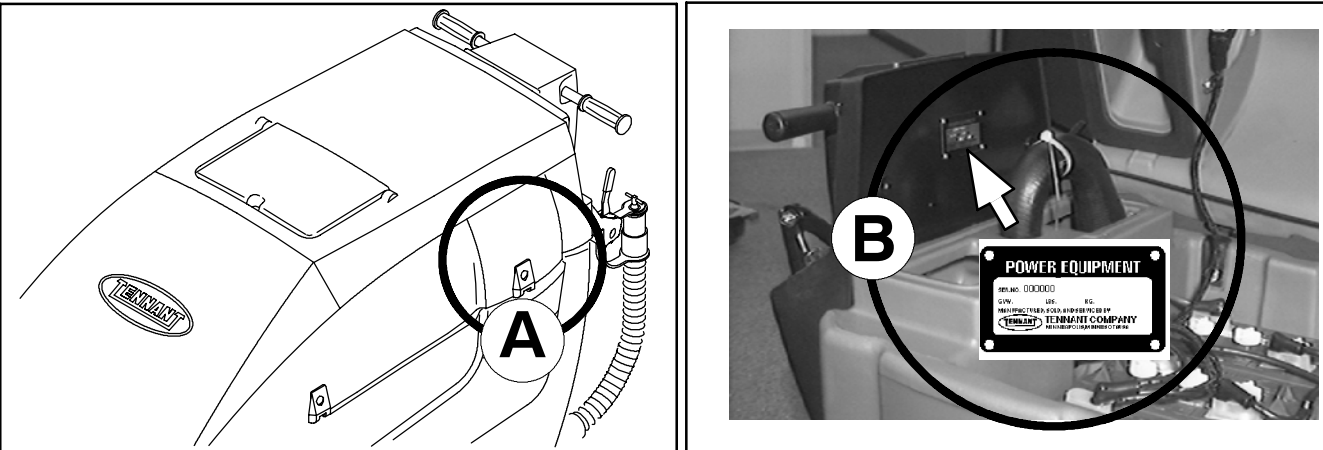
*Hygenic<sup>®</sup> Fully Cleanable Tanks*

**North America / International**

[www.tennantco.com](http://www.tennantco.com)

331178  
Rev. 04 (10-2008)





| Ref | Part No. | Serial Number         | Description                     | Qty. |
|-----|----------|-----------------------|---------------------------------|------|
| 1   | 82681    | (10000000 - )         | Bracket W/dt, Lpg Mount         | 1    |
| ▽ 2 | 63810    | (10000000 - )         | Latch Assy, Lpg Tank Mtg, W/Nut | 4    |
| ▲ 3 | 51839    | (10000000 - )         | Nut Adjustable, Lpg Tank Mtg    | 2    |
| 4   | 49263    | (10000000 - )         | Tie, Cable                      | 3    |
| ⓓ 5 | 82556    | (10000000 - 10001039) | Bracket, Vaporizer              | 1    |
| 6   | 54930    | (10000000 - )         | Vaporizer, LPG                  | 1    |

**HOW TO ORDER PARTS - See diagram above**  
 Only use TENNANT Company supplied or equivalent parts. Parts and supplies may be ordered online, by phone, by fax or by mail.  
 Follow the steps below to ensure prompt delivery.

1. **(A)** Identify the machine model.
2. **(B)** Identify the machine serial number from the data plate.
3. **(C)** Ensure the proper serial number is used from the parts list.
4. Identify the part number and quantity.  
Do not order by page or reference numbers.
5. Provide your name, company name, customer ID number, billing and shipping address, phone number and purchase order number.
6. Provide detail shipping instructions.

**(D)** ▽ - Identifies an assembly  
 ▲ - Identifies parts included in assembly

**EN**

**Please fill out at time of installation for future reference.**

Model No. - \_\_\_\_\_  
 Serial No. - \_\_\_\_\_  
 Machine Options - \_\_\_\_\_  
 Sales Rep. - \_\_\_\_\_  
 Sales Rep. phone no. - \_\_\_\_\_  
 Customer ID Number - \_\_\_\_\_  
 Installation Date - \_\_\_\_\_

**Tennant Company**  
 PO Box 1452  
 Minneapolis, MN 55440  
 Phone: (800) 553-8033 or (763) 513-2850  
 www.tennantco.com

テナントカンパニー日本支店  
 〒231-0023  
 神奈川県横浜市中区山下町 2番地  
 産業貿易センタービル 9階  
 電話: 045-640-5630 ファックス: 045-640-5604  
 www.tennant.co.jp

FaST-PAK is a US registered and unregistered trademark of Tennant Company.

Specifications and parts are subject to change without notice.

Copyright © 2006, 2007, 2008 TENNANT Company, Printed in U.S.A.

# GENERAL RECOMMENDED MAINTENANCE

**Fig. 1 - General Recommended Maintenance Items**

| Ref. | Part No. | Serial Number | Description                                 | Qty. |
|------|----------|---------------|---|------|
|      | 222381   | (10000000-    | ) Blade, Squeegee,Front, 28"                | 1    |
|      | 222382   | (10000000-    | ) Blade, Squeegee,Rear, 28"                 | 1    |
| ▽    | 222422   | (10000000-    | ) Squeegee Kit F/Tile Gumrbr 700            | 1    |
| ▲    | 222385   | (10000000-    | ) Blade, Squeegee,Tile, 28"                 | 1    |
| ▲    | 222387   | (10000000-    | ) Blade, Sqge,Rear,Gum, 28"                 | 1    |
| ▽    | 222428   | (10000000-    | ) Squeegee Kit Oil Rs Urethn 700            | 1    |
| ▲    | 222391   | (10000000-    | ) Blade, Sqge, Front, 28", Oil Rst          | 1    |
| ▲    | 222389   | (10000000-    | ) Blade, Sqge, Rear, 28", Oil Rst           | 1    |
|      | 222241   | (10000000-    | ) Blade, Squeegee,Front, 32"                | 1    |
|      | 222242   | (10000000-    | ) Blade, Squeegee,Rear, 32"                 | 1    |
| ▽    | 222423   | (10000000-    | ) Squeegee Kit F/Tile Gumrbr 800            | 1    |
| ▲    | 222384   | (10000000-    | ) Blade, Squeegee,Tile, 32"                 | 1    |
| ▲    | 222386   | (10000000-    | ) Blade, Sqge,Rear,Gum, 32"                 | 1    |
| ▽    | 222429   | (10000000-    | ) Squeegee Kit Oil Rs Urethn 800            | 1    |
| ▲    | 222392   | (10000000-    | ) Blade, Sqge, Front, 32", Oil Rst          | 1    |
| ▲    | 222388   | (10000000-    | ) Blade, Sqge, Rear, 32", Oil Rst           | 1    |
|      | 222413   | (10000000-    | ) Blade, Squeegee,Front, 36"                | 1    |
|      | 222415   | (10000000-    | ) Blade, Squeegee,Rear, 36"                 | 1    |
| ▽    | 222424   | (10000000-    | ) Squeegee Kit F/Tile Gumrbr 900            | 1    |
| ▲    | 222414   | (10000000-    | ) Blade, Squeegee,Tile, 36"                 | 1    |
| ▲    | 222416   | (10000000-    | ) Blade, Sqge,Rear,Gum, 36"                 | 1    |
| ▽    | 222433   | (10000000-    | ) Squeegee Kit Oil Rs Urethn 900            | 1    |
| ▲    | 222434   | (10000000-    | ) Blade, Sqge, Front, 36", Oil Rst          | 1    |
| ▲    | 222435   | (10000000-    | ) Blade, Sqge, Rear, 36", Oil Rst           | 1    |
|      | 222066   | (10000000-    | ) Wheel, 3.0 Dia                            | 4    |
|      | 82138    | (10000000-    | ) Nut Speed,Retainer, .25-20 Thd            | 2    |
|      | 222178   | (10000000-    | ) Roller, Bumper                            | 2    |
|      | 222403   | (10000000-    | ) Wheel, 2.0 Dia                            | 2    |
|      | 1021919  | (10000000-    | ) Skirt, Head, Disk, 28.0/700mm             | 1    |
|      | 1022013  | (10000000-    | ) Skirt, Head, Disk, 32.0/800mm             | 1    |
|      | 1022042  | (10000000-    | ) Skirt, Head, Disk, 36.0/900mm             | 1    |
|      | 1017015  | (10000000-    | ) Detergent Pkg, 2 Liter, Sgl, 365          | -    |
|      | 1017022  | (10000000-    | ) Detergent Pkg, 2 Liter, Sgl, 665          | -    |
|      | 9002021  | (10000000-    | ) Detergent, 2 Liter [Fast 965]             | -    |
| ▽    | 9004079  | (10346875-    | ) Fast Kit, Injector [5680/5700, FaST II+]  | 1    |
| ▲    | 9004084  | (10346875-    | ) FaST Kit, Ci, [Inj Reblid, 5680/5700]     | 1    |
| ▲    | 9003008  | (10346875-    | ) FaST Kit, Ci, Injector Seals [FaST II+]   | 1    |
| ▲    | 9003009  | (10346875-    | ) FaST Kit, Ci, Injector Filters [FaST II+] | 1    |
| ▽    | 9004561  | (10403557-    | ) Module, Water, Afmtk [ec-H2O]             | 1    |
| ▲    | 1050431  | (10403557-    | ) Grommet, Blind                            | 1    |
| ▲    | 1038220  | (10403557-    | ) Seal, Org, .799 X .103, Viton             | 1    |
| ▲    | 1038277  | (10403557-    | ) Seal, Org, .206 X .103, Viton             | 1    |
| ▲    | 1033963  | (10403557-    | ) Electrode, 5 Plate                        | 1    |
| ▲    | 1038618  | (10403557-    | ) Adapter, Cell                             | 1    |
| ▲    | 1013236  | (10403557-    | ) Valve, Shutoff, Ele, 24vdc                | 1    |
| ▲    | 1038159  | (10403557-    | ) Electrode, Cylindrical                    | 1    |
| ▲    | 1044393  | (10403557-    | ) Switch, Rocker, Spst, Mom,                | 1    |
| ▲    | 9004220  | (10403557-    | ) Kit, Replmt, Controller, ec-H2O           | 1    |
|      | 1044399  | (10403557-    | ) Harness, Main, Controlboard [ec-H2O P3]   | 1    |

▽ - Identifies an assembly

▲ - Identifies parts included in assembly



## SECTION 2

| Contents  | Page |
|---|------|
| Fig. 1 - Brushes, Replacement,<br>Model 700, 700 mm (28 in) . . . . .                         | 2-2  |
| Fig. 2 - Brushes, Replacement,<br>Model 800, 800 mm (32 in) . . . . .                         | 2-4  |
| Fig. 3 - Brushes, Replacement,<br>Model 900, 900 mm (36 in) . . . . .                         | 2-6  |
| Fig. 4 - Main Frame and Drive Group . . . . .   | 2-8  |
| Fig. 5 - Scrub Head Lift Group . . . . .  | 2-10 |
| Fig. 6 - Scrub Head Kit, Model 700D,<br>700 mm (28 in) . . . . .                              | 2-12 |
| Fig. 7 - Scrub Head Kit,<br>Model 800D, 800 mm (32 in) . . . . .                              | 2-14 |
| Fig. 8 - Scrub Head Kit,<br>Model 900D, 900 mm (36 in) . . . . .                              | 2-16 |
| Fig. 9 - Recovery Tank Group . . . . .  | 2-18 |
| Fig. 10 - Solution Tank Group . . . . .   | 2-20 |
| Fig. 11 - Vacuum Fan Group . . . . .  | 2-22 |
| Fig. 12 - Solution Control Group . . . . .  | 2-24 |
| Fig. 13 - Battery Group . . . . .   | 2-26 |
| Fig. 14 - Steering Control Group . . . . .  | 2-28 |
| Fig. 15 - Operator Console Group . . . . .  | 2-30 |
| Fig. 16 - Electrical Panel Group . . . . .  | 2-32 |
| Fig. 17 - Squeegee Lift Group . . . . .   | 2-34 |
| Fig. 18 - Squeegee Linkage Group . . . . .  | 2-36 |
| Fig. 19 - Squeegee Group,<br>Model 700, 700 mm (28 in) . . . . .                              | 2-38 |
| Fig. 20 - Squeegee Group,<br>Model 800, 800 mm (32 in) . . . . .                              | 2-40 |
| Fig. 21 - Squeegee Group,<br>Model 900, 900 mm (36 in) . . . . .                              | 2-42 |
| Fig. 22 - Electrical Schematic,<br>Standard & Fast Model<br>(S/N 10361690- ) . . . . .        | 2-44 |
| Fig. 23 - Electrical Schematic,<br>Standard & Fast Model<br>(S/N 10000000-10361689) . . . . . | 2-46 |
| Fig. 24 - Electrical Schematic, ec-H2O Model . . . . .  | 2-48 |
| Fig. 25 - Electrical Wire Harness Group . . . . .   | 2-50 |
| Fig. 26 - Label Group . . . . .   | 2-54 |

Fig. 1 - Brushes, Replacement, Model 700, 700 mm (28 in)

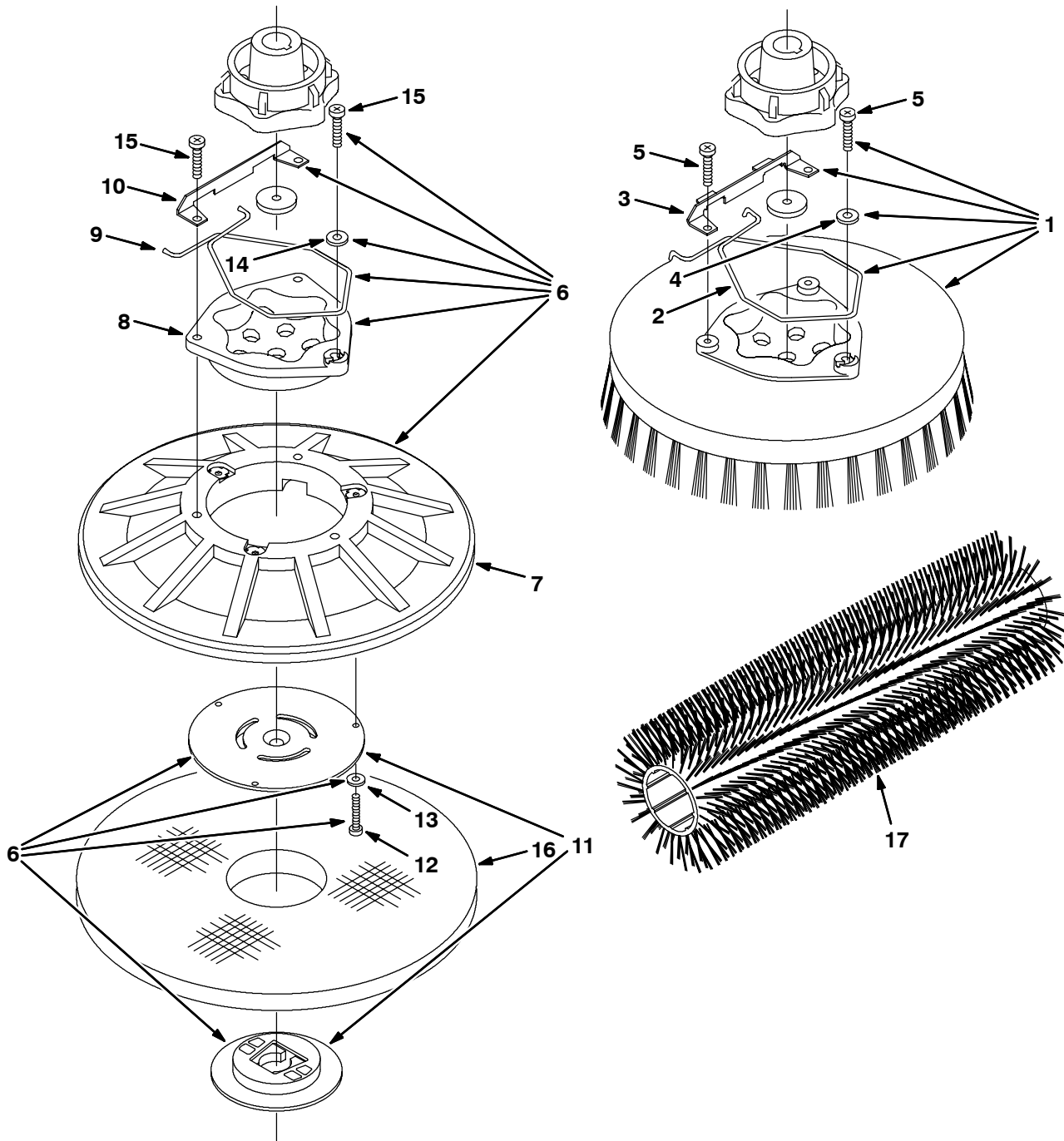


Fig. 1 - Brushes, Replacement, Model 700, 700 mm (28 in)

| Ref. | Part No. | Serial Number | Description   | Qty. |
|------|----------|---------------|---|------|
| ▽    | 1        | 222321        | (10000000- ) Brush-Disk Scr 14 D Assy-Nylon         | 2    |
| ▲    | 2        | 14838         | (10000000- ) Spring, Brush Retaining                | 1    |
| ▲    | 3        | 24299         | (10000000- ) Bracket, Spring Retainer               | 1    |
| ▲    | 4        | 01684         | (10000000- ) Washer, Flat, 0.25 Ss                  | 1    |
| ▲    | 5        | 32746         | (10000000- ) Screw, Pan, M6 X 1.0 X 35, Ss          | 3    |
| ▽    | 1        | 222320        | (10000000- ) Brush-Disk Scr 14 D Assy-Poly          | 2    |
| ▲    | 2        | 14838         | (10000000- ) Spring, Brush Retaining                | 1    |
| ▲    | 3        | 24299         | (10000000- ) Bracket, Spring Retainer               | 1    |
| ▲    | 4        | 01684         | (10000000- ) Washer, Flat, 0.25 Ss                  | 1    |
| ▲    | 5        | 32746         | (10000000- ) Screw, Pan, M6 X 1.0 X 35, Ss          | 3    |
| ▽    | 1        | 222322        | (10000000- ) Brush-Disk Scr 14 D-Assy-Ab            | 2    |
| ▲    | 2        | 14838         | (10000000- ) Spring, Brush Retaining                | 1    |
| ▲    | 3        | 24299         | (10000000- ) Bracket, Spring Retainer               | 1    |
| ▲    | 4        | 01684         | (10000000- ) Washer, Flat, 0.25 Ss                  | 1    |
| ▲    | 5        | 32746         | (10000000- ) Screw, Pan, M6 X 1.0 X 35, Ss          | 3    |
| ▽    | 6        | 397914        | (10000000- ) Driver Assy, Pad, 14d                  | 2    |
| ▲    | 7        | 397974        | (10000000- ) Disk, Pad Driver, W/ Face, 14d         | 1    |
| ▲    | 8        | 15539         | (10000000- ) Adaptor, Brush                         | 1    |
| ▲    | 9        | 14838         | (10000000- ) Spring, Brush Retaining                | 1    |
| ▲    | 10       | 24299         | (10000000- ) Bracket, Spring Retainer               | 1    |
| ▲    | 11       | 370095        | (10000000- ) Device, Centering                      | 1    |
| ▲    | 12       | 09198         | (10000000- ) Screw, Pan, M4 X 0.7 X 35, Ss          | 3    |
| ▲    | 13       | 41579         | (10000000- ) Washer, Flat, #8, Ss                   | 3    |
| ▲    | 14       | 01684         | (10000000- ) Washer, Flat, 0.25 Ss                  | 1    |
| ▲    | 15       | 32746         | (10000000- ) Screw, Pan, M6 X 1.0 X 35, Ss          | 3    |
|      | 16       | 222324        | (10000000- ) Pad, Polish 14D White                  | 2    |
|      | 16       | 222325        | (10000000- ) Pad, Buff 14D Red                      | 2    |
|      | 16       | 222326        | (10000000- ) Pad, Scrub 14D Blue                    | 2    |
|      | 16       | 222327        | (10000000- ) Pad, Strip 14D Brown                   | 2    |
|      | 16       | 370091        | (10000000- ) Pad, Strip-Hd 14D Black                | 2    |
|      | 17       | 222304        | (10000000- ) Brush, Scb, 28l, 18 Sr, Pyp Grout, Spl | 2    |
|      | 17       | 374041        | (10000000- ) Brush, Scb, 28l, 18 Sr, Pyp, Spl       | 2    |
|      | 17       | 222305        | (10000000- ) Brush, Scb, 28l, 18 Sr, Nyl, Spl       | 2    |
|      | 17       | 222306        | (10000000- ) Brush, Scb, 28l, 18 Sr, Abr, Spl       | 2    |

▽ - Identifies an assembly

▲ - Identifies parts included in assembly

Fig. 2 - Brushes, Replacement, Model 800, 800 mm (32 in)

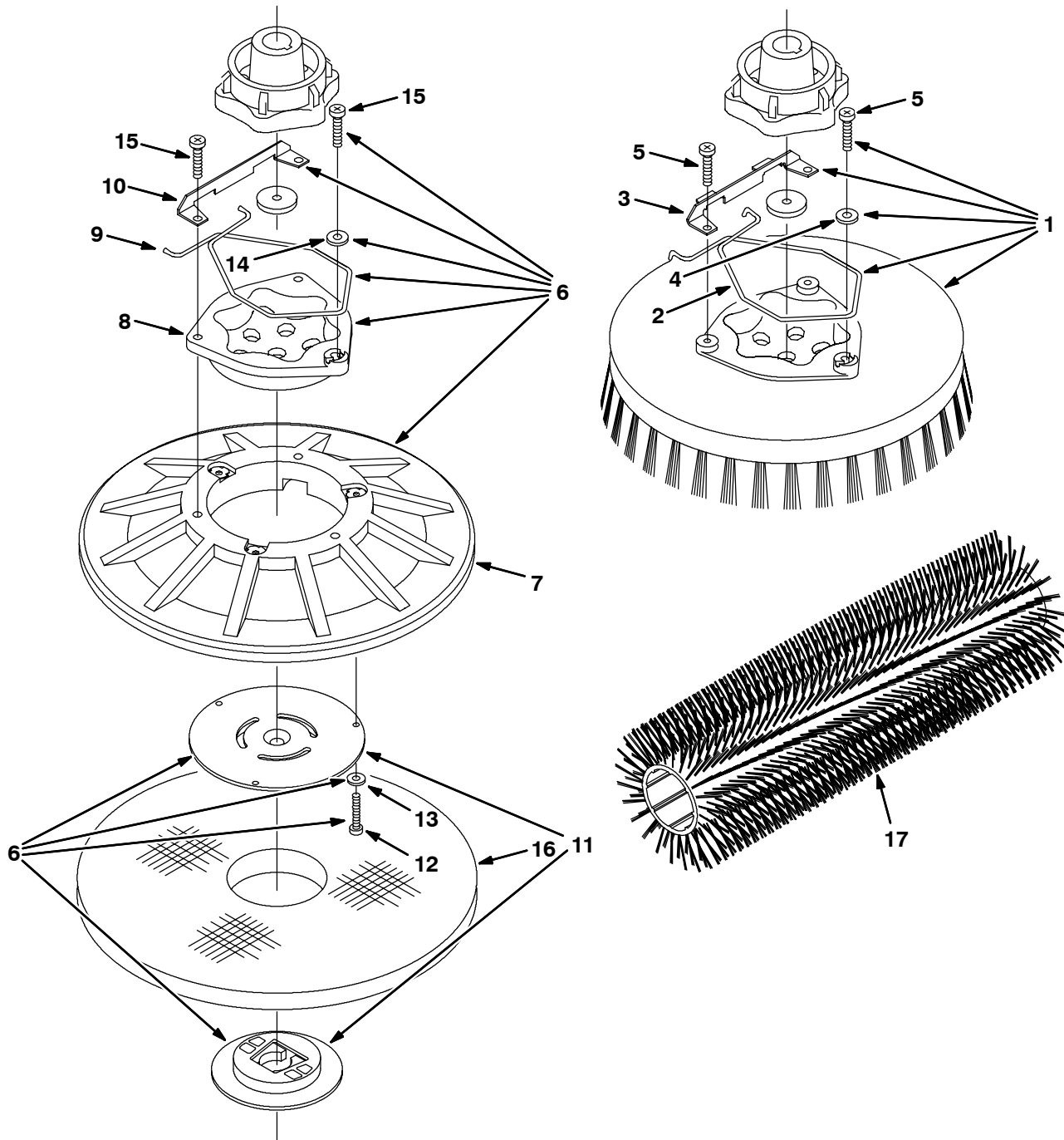




Fig. 2 - Brushes, Replacement, Model 800, 800 mm (32 in)

|   | Ref. | Part No. | Serial Number | Description                              | Qty. |
|---|------|----------|---------------|--|------|
| ▽ | 1    | 05724    | (10000000-    | ) Brush-Disk Scr 16 D-Assy-Nyl           | 2    |
| ▲ | 2    | 14838    | (10000000-    | ) Spring, Brush Retaining                | 1    |
| ▲ | 3    | 24299    | (10000000-    | ) Bracket, Spring Retainer               | 1    |
| ▲ | 4    | 01684    | (10000000-    | ) Washer, Flat, 0.25 Ss                  | 1    |
| ▲ | 5    | 32746    | (10000000-    | ) Screw, Pan, M6 X 1.0 X 35, Ss          | 3    |
| ▽ | 1    | 30241    | (10000000-    | ) Brush-Disk Scr 16 D Assy Poly          | 2    |
| ▲ | 2    | 14838    | (10000000-    | ) Spring, Brush Retaining                | 1    |
| ▲ | 3    | 24299    | (10000000-    | ) Bracket, Spring Retainer               | 1    |
| ▲ | 4    | 01684    | (10000000-    | ) Washer, Flat, 0.25 Ss                  | 1    |
| ▲ | 5    | 32746    | (10000000-    | ) Screw, Pan, M6 X 1.0 X 35, Ss          | 3    |
| ▽ | 1    | 05726    | (10000000-    | ) Brush-Disk Scr 16 D-Assy-S Ab          | 2    |
| ▲ | 2    | 14838    | (10000000-    | ) Spring, Brush Retaining                | 1    |
| ▲ | 3    | 24299    | (10000000-    | ) Bracket, Spring Retainer               | 1    |
| ▲ | 4    | 01684    | (10000000-    | ) Washer, Flat, 0.25 Ss                  | 1    |
| ▲ | 5    | 32746    | (10000000-    | ) Screw, Pan, M6 X 1.0 X 35, Ss          | 3    |
| ▽ | 6    | 397916   | (10000000-    | ) Driver Assy, Pad, 16d                  | 2    |
| ▲ | 7    | 397976   | (10000000-    | ) Disk, Pad Driver, W/ Face, 16d         | 1    |
| ▲ | 8    | 15539    | (10000000-    | ) Adaptor, Brush                         | 1    |
| ▲ | 9    | 14838    | (10000000-    | ) Spring, Brush Retaining                | 1    |
| ▲ | 10   | 24299    | (10000000-    | ) Bracket, Spring Retainer               | 1    |
| ▲ | 11   | 370095   | (10000000-    | ) Device, Centering                      | 1    |
| ▲ | 12   | 09198    | (10000000-    | ) Screw, Pan, M4 X 0.7 X 35, S           | 3    |
| ▲ | 13   | 41579    | (10000000-    | ) Washer, Flat, #8, Ss                   | 3    |
| ▲ | 14   | 01684    | (10000000-    | ) Washer, Flat, 0.25 Ss                  | 1    |
| ▲ | 15   | 32746    | (10000000-    | ) Screw, Pan, M6 X 1.0 X 35, Ss          | 3    |
|   | 16   | 63248-1  | (10000000-    | ) Pad, Strip 16D Brown                   | 2    |
|   | 16   | 63248-2  | (10000000-    | ) Pad, Scrub 16D Blue                    | 2    |
|   | 16   | 63248-3  | (10000000-    | ) Pad, Buff 16D Red                      | 2    |
|   | 16   | 63248-4  | (10000000-    | ) Pad, Polish 16D White                  | 2    |
|   | 16   | 370092   | (10000000-    | ) Pad, Strip-Hd 16D Black                | 2    |
|   | 17   | 222307   | (10000000-    | ) Brush, Scb, 32l, 18 Sr, Pyp Grout, Spl | 2    |
|   | 17   | 374042   | (10000000-    | ) Brush, Scb, 32l, 18 Sr, Pyp, Spl       | 2    |
|   | 17   | 222308   | (10000000-    | ) Brush, Scb, 32l, 18 Sr, Nyl, Spl       | 2    |
|   | 17   | 222309   | (10000000-    | ) Brush, Scb, 32l, 18 Sr, Abr, Spl       | 2    |

▽ - Identifies an assembly

▲ - Identifies parts included in assembly

Fig. 3 - Brushes, Replacement, Model 900, 900 mm (36 in)

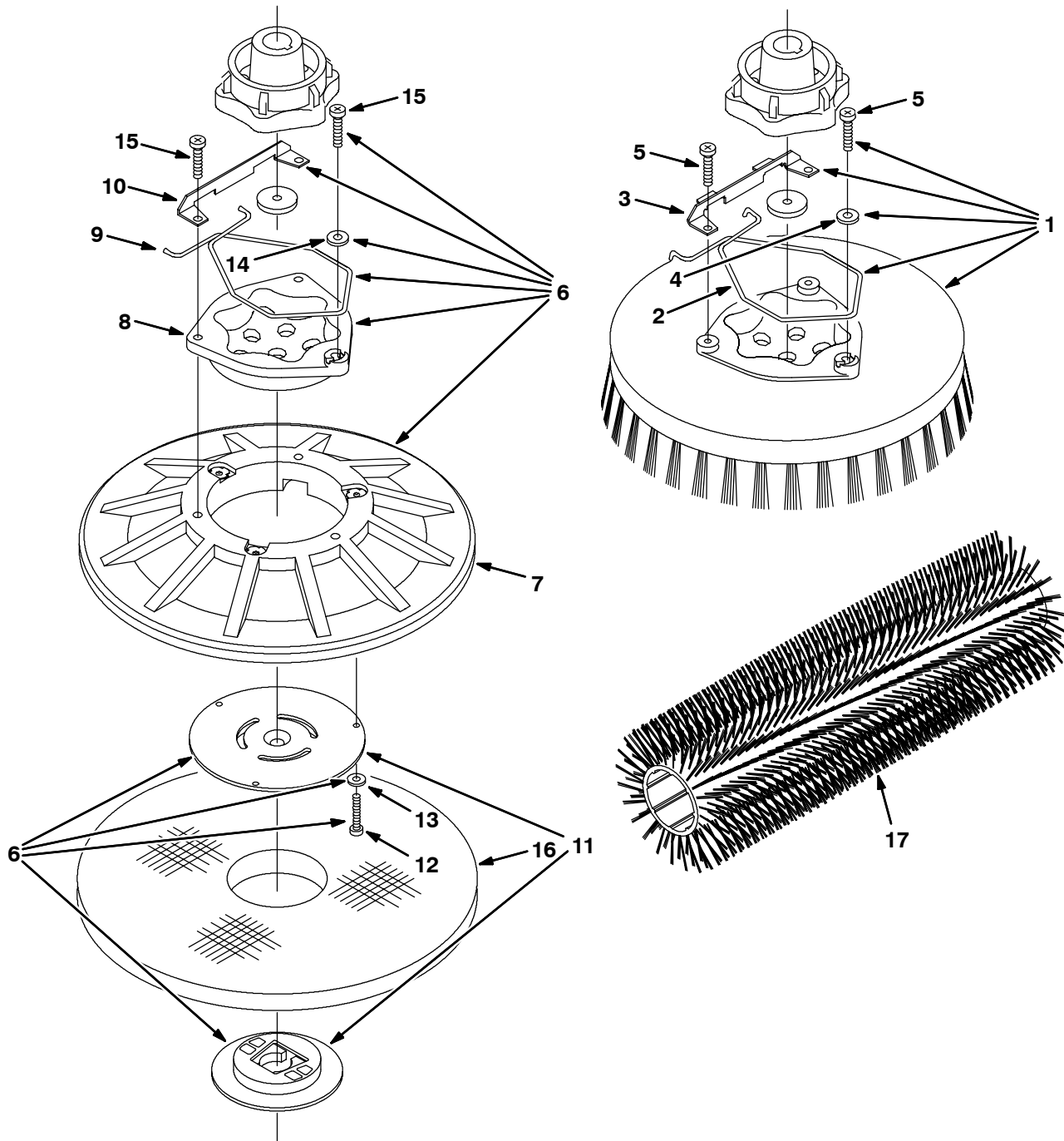


Fig. 3 - Brushes, Replacement, Model 900, 900 mm (36 in)

| Ref. | Part No. | Serial Number | Description   | Qty. |
|------|----------|---------------|---|------|
| ▽    | 1        | 11773         | (10000000- ) Brush-Disk Scr 18 D Assy Nylon         | 2    |
| ▲    | 2        | 14838         | (10000000- ) Spring, Brush Retaining                | 1    |
| ▲    | 3        | 24299         | (10000000- ) Bracket, Spring Retainer               | 1    |
| ▲    | 4        | 01684         | (10000000- ) Washer, Flat, 0.25 Ss                  | 1    |
| ▲    | 5        | 32746         | (10000000- ) Screw, Pan, M6 X 1.0 X 35, Ss          | 3    |
| ▽    | 1        | 11771         | (10000000- ) Brush-Disk Scr-18 D-Assy-Poly          | 2    |
| ▲    | 2        | 14838         | (10000000- ) Spring, Brush Retaining                | 1    |
| ▲    | 3        | 24299         | (10000000- ) Bracket, Spring Retainer               | 1    |
| ▲    | 4        | 01684         | (10000000- ) Washer, Flat, 0.25 Ss                  | 1    |
| ▲    | 5        | 32746         | (10000000- ) Screw, Pan, M6 X 1.0 X 35, Ss          | 3    |
| ▽    | 1        | 11772         | (10000000- ) Brush-Disk Scr-18 D Assy Ab            | 2    |
| ▲    | 2        | 14838         | (10000000- ) Spring, Brush Retaining                | 1    |
| ▲    | 3        | 24299         | (10000000- ) Bracket, Spring Retainer               | 1    |
| ▲    | 4        | 01684         | (10000000- ) Washer, Flat, 0.25 Ss                  | 1    |
| ▲    | 5        | 32746         | (10000000- ) Screw, Pan, M6 X 1.0 X 35, Ss          | 3    |
| ▽    | 6        | 397918        | (10000000- ) Driver Assy, Pad, 18d                  | 2    |
| ▲    | 7        | 397978        | (10000000- ) Disk, Pad Driver, W/ Face, 18d         | 1    |
| ▲    | 8        | 15539         | (10000000- ) Adaptor, Brush                         | 1    |
| ▲    | 9        | 14838         | (10000000- ) Spring, Brush Retaining                | 1    |
| ▲    | 10       | 24299         | (10000000- ) Bracket, Spring Retainer               | 1    |
| ▲    | 11       | 370095        | (10000000- ) Device, Centering                      | 1    |
| ▲    | 12       | 09198         | (10000000- ) Screw, Pan, M4 X 0.7 X 35, S           | 3    |
| ▲    | 13       | 41579         | (10000000- ) Washer, Flat, #8, Ss                   | 3    |
| ▲    | 14       | 01684         | (10000000- ) Washer, Flat, 0.25 Ss                  | 1    |
| ▲    | 15       | 32746         | (10000000- ) Screw, Pan, M6 X 1.0 X 35, Ss          | 3    |
|      | 16       | 11777         | (10000000- ) Pad, Strip 18D Brown                   | 2    |
|      | 16       | 370093        | (10000000- ) Pad, Strip-Hd 18D Black                | 2    |
|      | 16       | 11778         | (10000000- ) Pad, Scrub 18D Blue                    | 2    |
|      | 16       | 11780         | (10000000- ) Pad, Buff 18D Red                      | 2    |
|      | 16       | 11781         | (10000000- ) Pad, Polish 18D White                  | 2    |
|      | 17       | 222310        | (10000000- ) Brush, Scb, 36l, 18 Sr, Pyp Grout, Spl | 2    |
|      | 17       | 374043        | (10000000- ) Brush, Scb, 36l, 18 Sr, Pyp, Spl       | 2    |
|      | 17       | 222311        | (10000000- ) Brush, Scb, 36l, 18 Sr, Nyl, Spl       | 2    |
|      | 17       | 222312        | (10000000- ) Brush, Scb, 36l, 18 Sr, Abr, Spl       | 2    |

▽ - Identifies an assembly

▲ - Identifies parts included in assembly

Fig. 4 - Main Frame and Drive Group

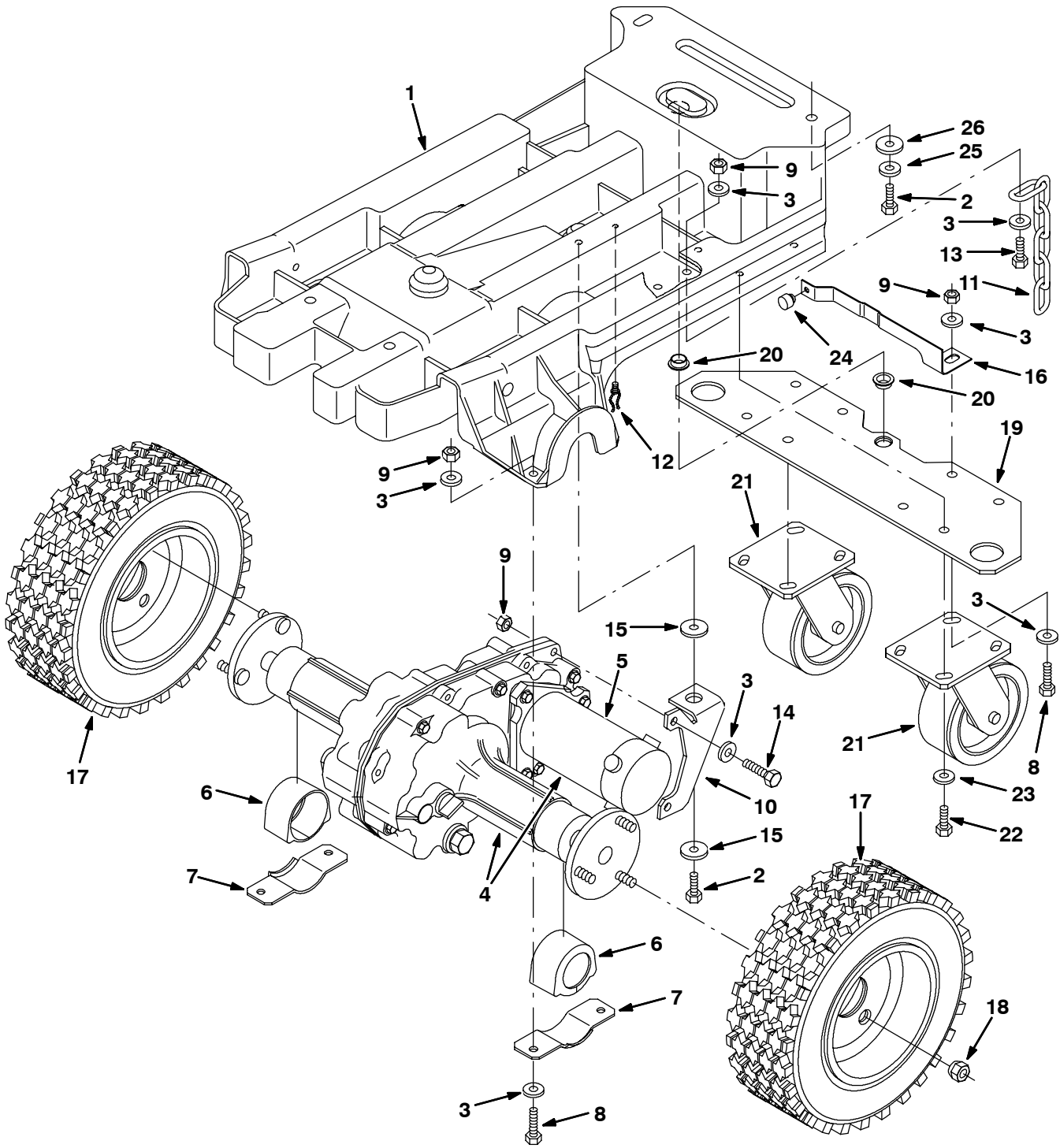


Fig. 4 - Main Frame and Drive Group

| Ref. | Part No. | Serial Number      | Description   | Qty.                                       |   |
|------|----------|--------------------|---|--|---|
| 1    | 398311   | (10000000-         | ) Frame, Main [5700]                                | 1  |   |
| 2    | 12273    | (10000000-         | ) Screw, Hex, M08 X 1.25 X 20, Ss, NI               | 5  |   |
| 3    | 01685    | (10000000-         | ) Washer, Flt, .31 Ss                               | 16   |   |
| ▽    | 4        | 1038593            | (10000000-  | ) Transaxle, Assy, w/Motor [W/O Park Lock] | 1 |
| ▲▽   | 5        | 1040886            | (10364538-  | ) Motor, Ele, 36Vdc 2000Rpm 0.50Hp         | 1 |
| ▲    | 1040891  | (10364538-         | ) Brush, Motor, Transaxle [Pk of 4]                 | 1  |   |
| 5    | 1031761  | (10000000-10364537 | ) Motor, Ele, 36Vdc 2000Rpm 0.50Hp (See Breakdowns) | 1  |   |
| 6    | 222035   | (10000000-         | ) Isolator, Vib, Transaxle                          | 2  |   |
| 7    | 222036   | (10000000-         | ) Bracket, Mtg, Isolator                            | 2  |   |
| 8    | 09011    | (10000000-         | ) Screw, Hex, M08 X 1.25 X 30, Ss                   | 6  |   |
| 9    | 08713    | (10000000-         | ) Nut, Hex, Lock, M08 X 1.25, NI, Ss                | 9  |   |
| 10   | 222039   | (10000000-         | ) Bracket, Mtg, Transaxle                           | 1  |   |
| 11   | 43500    | (10000000-         | ) Chain, Coil, Str, #210, 09.0l 07 Link             | 1  |   |
| 12   | 30406    | (10000000-         | ) Clip, Keeper                                      | 1  |   |
| 13   | 09010    | (10000000-         | ) Screw, Hex, M08 X 1.25 X 25, Ss                   | 1  |   |
| 14   | 09011    | (10364538-         | ) Screw, Hex, M08 X 1.25 X 30, Ss                   | 2  |   |
|      | 09026    | (10000000-10364537 | ) Screw, Hex, M08 X 1.25 X 40, Ss                   | 2  |   |
| 15   | 32662    | (10000000-         | ) Washer, 0.38b 1.22d .06, Ss                       | 2  |   |
| 16   | 222469   | (10000000-         | ) Spring, Flat, Centering                           | 1  |   |
| 17   | 61598    | (10000000-         | ) Tire Assy, Foam, 410/3.5-06 3.5bc/3bolt           | 2  |   |
| 18   | 11109    | (10000000-         | ) Nut, Wheel, .44-20 X 60 Angle                     | 6  |   |
| 19   | 397805   | (10000000-         | ) Plate, Caster                                     | 1  |   |
| 20   | 04843    | (10000000-         | ) Bushing, Flng, 0.63b 0.72d 0.25l                  | 2  |   |
| 21   | 1049046  | (10000000-         | ) Caster, Swivel, 5.0D 2.0W, 4 Hole, Gray           | 2  |   |
| 22   | 12333    | (10000000-         | ) Screw, Hex, M08 X 1.25 X 25, Ss, NI               | 6  |   |
| 23   | 41186    | (10000000-         | ) Washer, Belleville, .31                           | 6  |   |
| 24   | 51787    | (10000000-         | ) Bumper, Rbr                                       | 1  |   |
| 25   | 1017218  | (10000000-         | ) Washer, Flt, 0.321b 1.00d .12, Ss                 | 4  |   |
| 26   | 1014563  | (10000000-         | ) Washer, Flt, 0.40b 1.12d .12, Ss                  | 4  |   |

▽ - Identifies an assembly

▲ - Identifies parts included in assembly

Fig. 5 - Scrub Head Lift Group

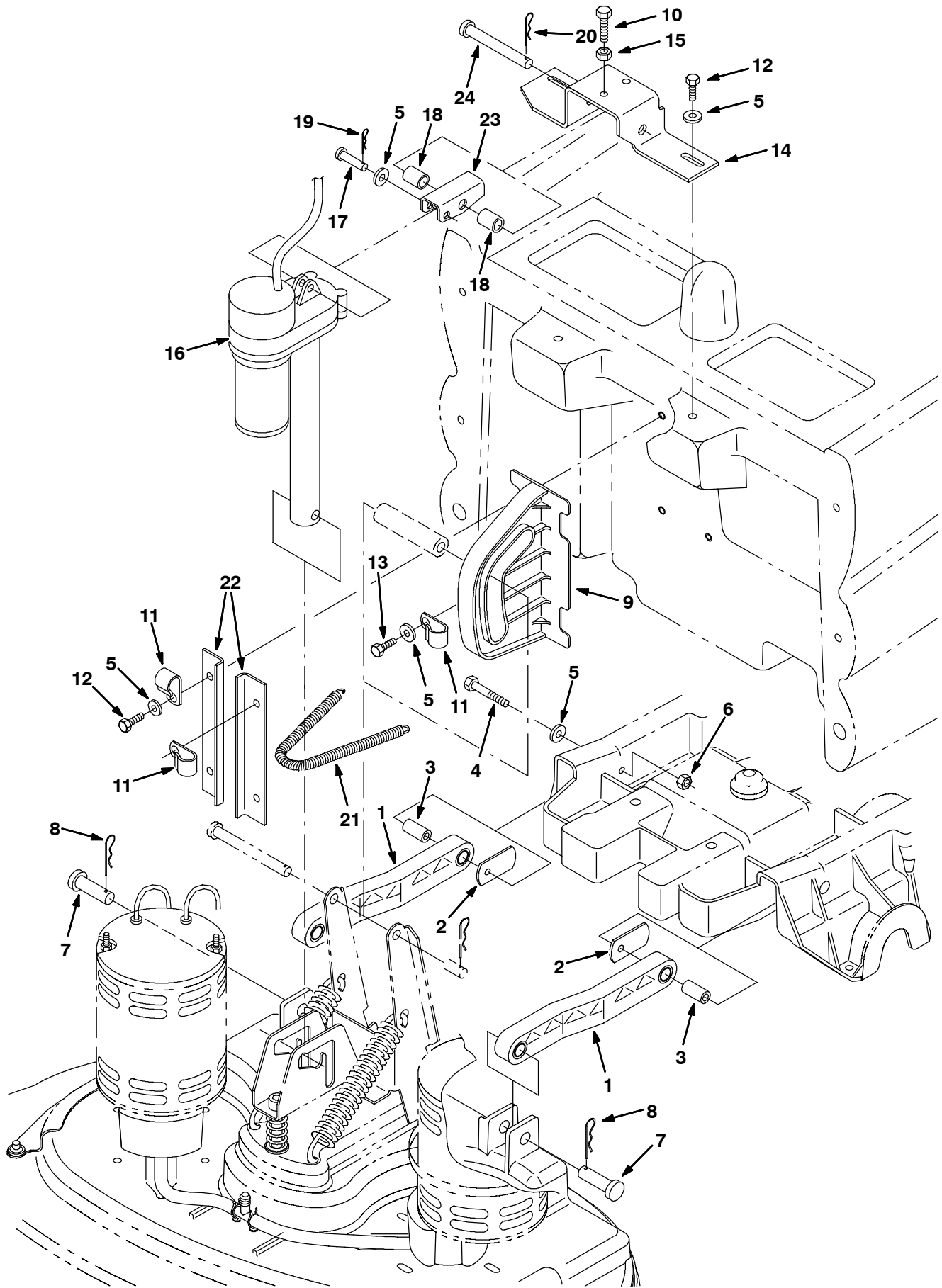
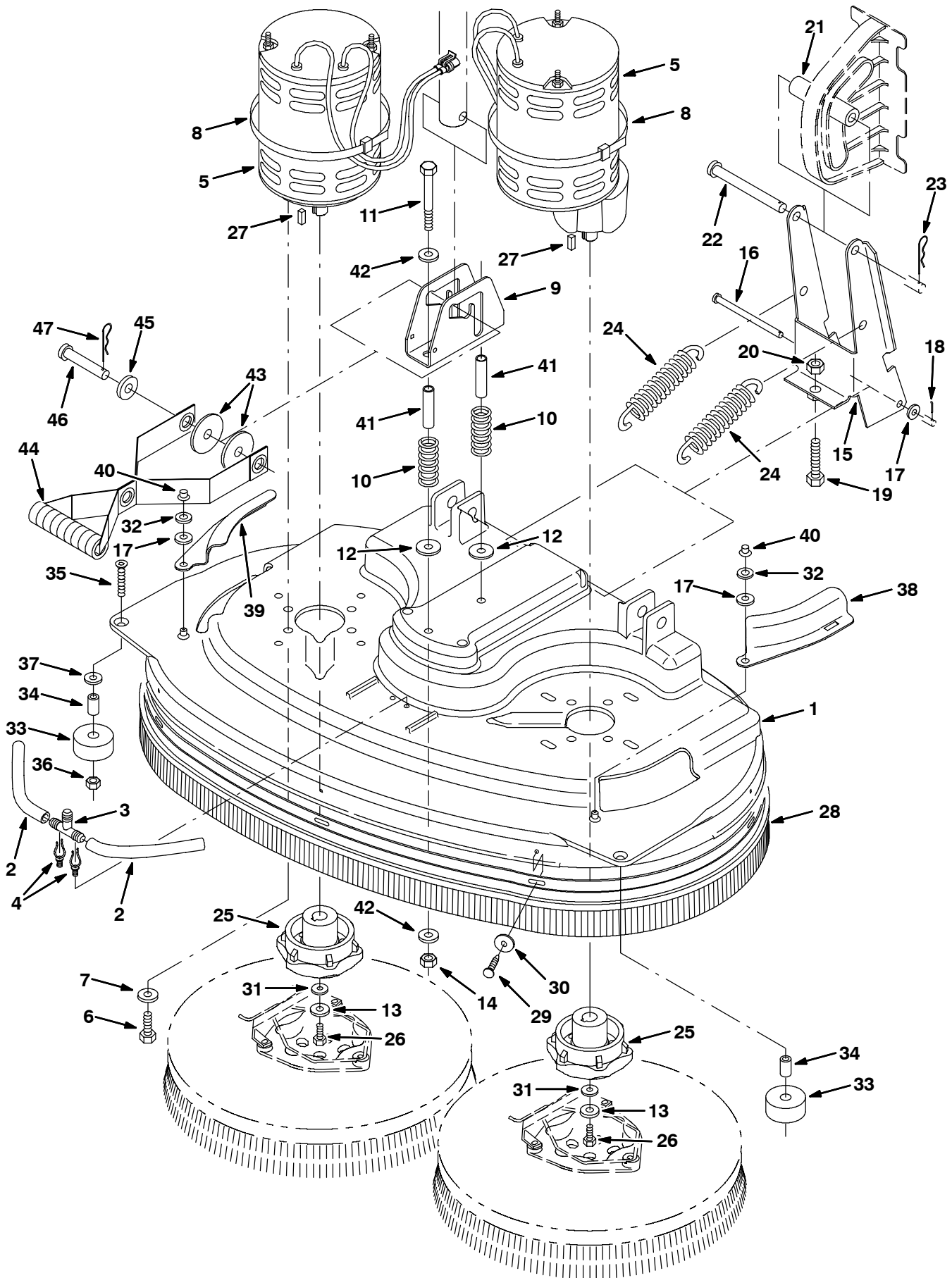


Fig. 5 - Scrub Head Lift Group

| Ref. | Part No. | Serial Number | Description                            | Qty. |
|------|----------|---------------|--|------|
| 1    | 222027   | (10000000-    | ) Arm, Lift, Head                      | 2    |
| 2    | 222099   | (10000000-    | ) Spacer, Lift Arm                     | 2    |
| 3    | 222028   | (10000000-    | ) Sleeve, .344B .62D1.3 Bronze         | 2    |
| 4    | 222504   | (10000000-    | ) Screw, Hex, M08 X 1.25 X 55, Ss      | 2    |
| 5    | 01685    | (10000000-    | ) Washer, Flt, .31 Ss                  | 12   |
| 6    | 08713    | (10000000-    | ) Nut, Hex, Lock, M08 X 1.25, NI, Ss   | 2    |
| 7    | 222210   | (10000000-    | ) Pin, Clevis, 0.62 D X 2.12l          | 2    |
| 8    | 02942    | (10000000-    | ) Pin, Hair Cotter, 0.62 D .120 Wir    | 2    |
| 9    | 222034   | (10000000-    | ) Bracket, Guide, Roller               | 1    |
| 10   | 09023    | (10000000-    | ) Screw, Hex, M08 X 1.25 X 35, Ss      | 2    |
| 11   | 30407    | (10000000-    | ) Clip, Keeper, Open                   | 3    |
| 12   | 12273    | (10000000-    | ) Screw, Hex, M08 X 1.25 X 20, Ss, NI  | 6    |
| 13   | 49826    | (10000000-    | ) Screw, Hex, M08 X 1.25 X 16, Ss, NI  | 1    |
| 14   | 397765   | (10000000-    | ) Bracket, Mtg, Actuator               | 1    |
| 15   | 07786    | (10000000-    | ) Nut, Hex, Std, M08 X 1.25, Ss        | 2    |
| 16   | 9003318  | (10000000-    | ) Actuator, Kit, Replmt                | 1    |
| 17   | 29558    | (10000000-    | ) Pin, Clevis, 0.37 D X 1.50l          | 1    |
| 18   | 397768   | (10000000-    | ) Spacer, .532ld X .75Od X 1.00L       | 2    |
| 19   | 86866    | (10000000-    | ) Pin, Hair Cotter, 0.38 D .072 Wir    | 1    |
| 20   | 44906    | (10000000-    | ) Pin, Hair Cotter, 0.69 D .092 Wir    | 1    |
| 21   | 397818   | (10000000-    | ) Spring, Extn, 0.25 Od .02 Wire 8.0 L | 1    |
| 22   | 222054   | (10000000-    | ) Bracket, Roller Guide                | 2    |
| 23   | 397766   | (10000000-    | ) Channel, Mtg, Actuator               | 1    |
| 24   | 222196   | (10000000-    | ) Pin, Clevis, 0.50 D X 4.00l          | 1    |

**Fig. 6 - Scrub Head Kit, Model 700D, 700 mm (28 in)**





**Fig. 6 - Scrub Head Kit, Model 700D, 700 mm (28 in)**

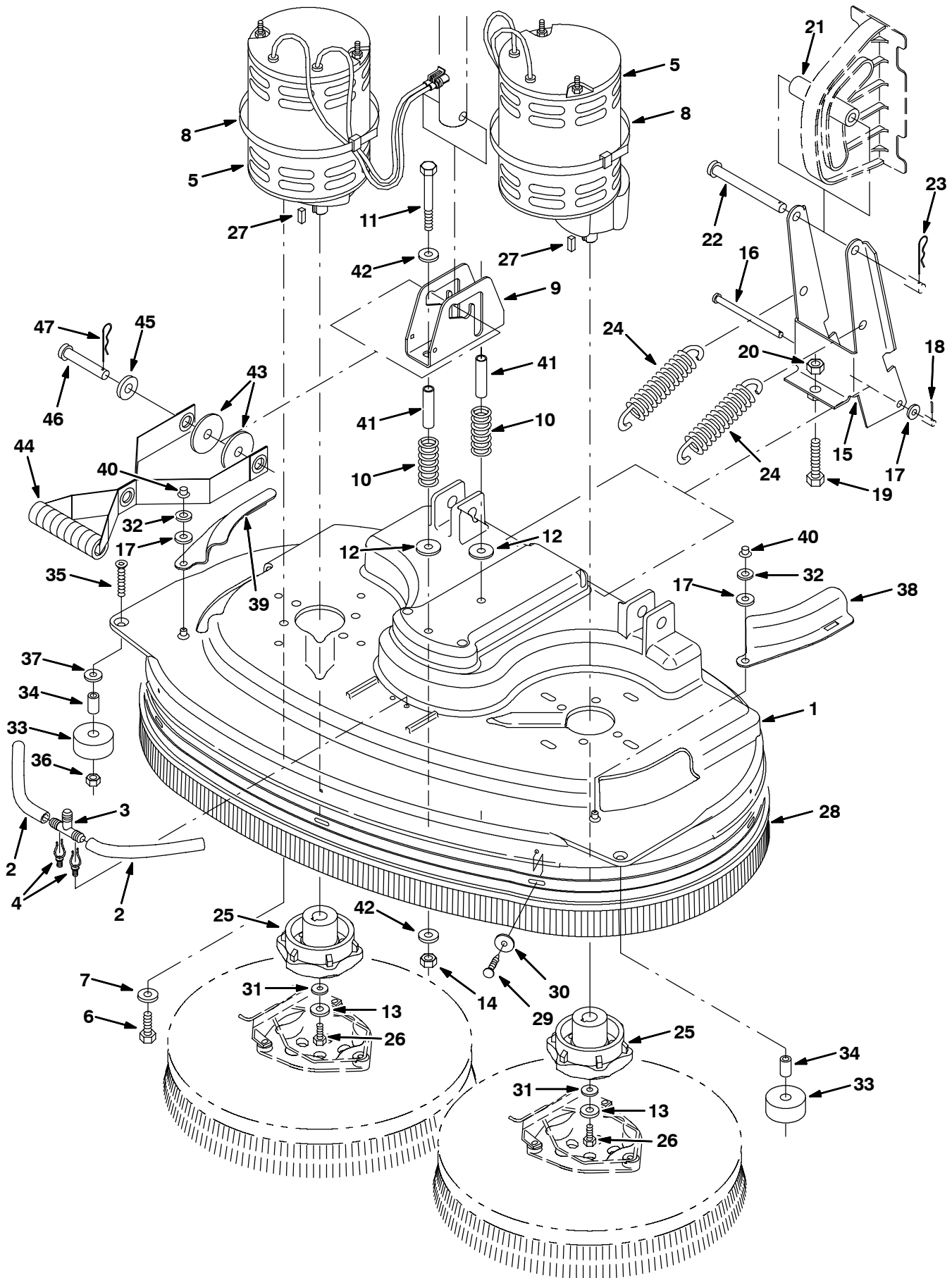
| Ref. | Part No.   | Serial Number | Description                                      | Qty. |
|------|------------|---------------|--|------|
| ▽    | 397745     | (10000000-    | ) Kit, Ci, Head, Scrbr, [5680] [700d]            | 1    |
| ▲    | 1 1030877  | (10000000-    | ) Cover, Head, Scb, Disc, Mach [28] [28.0/700mm] | 1    |
| ▲    | 2 222535   | (10000000-    | ) Hose, Pvc, Clr, 0.38id 0.56od 08.00l           | 2    |
| ▲    | 3 222536   | (10000000-    | ) Fitting, Plstc, Tee, Bm06/Bm06/Bm08            | 1    |
| ▲    | 4 30406    | (10000000-    | ) Clip, Keeper                                   | 2    |
| ▲    | 5 397815   | (10000000-    | ) Motor, Ele, 36vdc .75hp Gear (See Breakdowns)  | 2    |
| ▲    | 6 12317    | (10000000-    | ) Screw, Hex, M10 X 1.5 X 30, Ss                 | 8    |
| ▲    | 7 41187    | (10000000-    | ) Washer, Belleville, .38                        | 8    |
| ▲    | 8 44961    | (10000000-    | ) Tie, Cable, Nyl, 14.5l .30w 4.0 Max D          | 4    |
| ▲    | 9 397813   | (10000000-    | ) Bracket, Head, Actuator                        | 1    |
| ▲    | 10 45261   | (10000000-    | ) Spring, Cmpr, 0.97od .11wir 2.5l               | 2    |
| ▲    | 11 35709   | (10000000-    | ) Screw, Hex, .38-16 X 3.50, G5                  | 2    |
| ▲    | 12 32662   | (10000000-    | ) Washer, 0.38b 1.22d .06, Ss                    | 2    |
| ▲    | 13 01686   | (10000000-    | ) Washer, Flat, 0.44b 1.00d .08, Ss              | 2    |
| ▲    | 14 59156   | (10000000-    | ) Nut, Hex, Lock, .38-16, NI, Ss                 | 2    |
| ▲    | 15 222838  | (10000000-    | ) Bracket, Pivot                                 | 1    |
| ▲    | 16 222207  | (10000000-    | ) Pin, Clevis, 0.31 D X 4.74l                    | 1    |
| ▲    | 17 01685   | (10000000-    | ) Washer, Flat, 0.38b 0.88d .08, Ss              | 3    |
| ▲    | 18 08346   | (10000000-    | ) Pin, Cotter, .125 X 0.75                       | 1    |
| ▲    | 19 05720   | (10000000-    | ) Screw, Hex, M10-1.5 X 40, Ss                   | 1    |
| ▲    | 20 39312   | (10000000-    | ) Nut, Hex, Std, M10 X 1.5                       | 1    |
| ▲    | 21 222055  | (10000000-    | ) Roller, Linkage, Head                          | 1    |
| ▲    | 22 222197  | (10000000-    | ) Pin, Clevis, 0.50 D X 4.75l                    | 1    |
| ▲    | 23 02942   | (10000000-    | ) Pin, Hair Cotter, 0.62 D .120 Wir              | 1    |
| ▲    | 24 222363  | (10000000-    | ) Spring, Extn, 1.23od X 0.15wir, 6.5l           | 2    |
| ▲    | 25 1042966 | (10000000-    | ) Hub, Drive, Brush, Disk, 0.75B [6T]            | 2    |
| ▲    | 26 09011   | (10000000-    | ) Screw, Hex, M08 X 1.25 X 30, Ss                | 2    |
| ▲    | 27 00926   | (10000000-    | ) Key, Sq, 0.25 X 0.25, 00.75l                   | 2    |
| ▲▽   | 397828     | (10000000-    | ) Kit, Ci, Skirt, 700 mm, [5680]                 | 1    |
| ▲▲   | 28 1021919 | (10000000-    | ) Skirt, Head, Disk, 28.0/700mm                  | 1    |
| ▲▲   | 29 397780  | (10000000-    | ) Plug, Plstc                                    | 7    |
| ▲▲   | 30 397779  | (10000000-    | ) Washer, 0.28b 1.00d .06t, Stl, Blk, Znc        | 7    |
| ▲    | 31 41186   | (10000000-    | ) Washer, Belleville, .31                        | 2    |
| ▲    | 32 32713   | (10000000-    | ) Washer, 0.41b 0.81d .09, Ure                   | 2    |
| ▲    | 33 222403  | (10000000-    | ) Wheel, 2.0d 0.88w 0.50b                        | 2    |
| ▲    | 34 222496  | (10000000-    | ) Sleeve   | 2    |
| ▲    | 35 33943   | (10000000-    | ) Screw, Flat, M08 X 1.25 X 40, 10.9             | 2    |
| ▲    | 36 08713   | (10000000-    | ) Nut, Hex, Lock, M08 X 1.25, NI, Ss             | 2    |
| ▲    | 37 32490   | (10000000-    | ) Washer, Flt, .25 Std                           | 2    |
| ▲    | 38 222404  | (10000000-    | ) Door, Scb Head, Lh                             | 1    |
| ▲    | 39 222405  | (10000000-    | ) Door, Scb Head, Rh                             | 1    |
| ▲    | 40 59849   | (10000000-    | ) Nut, Retainer, .312 Dia                        | 2    |
| ▲    | 41 1029425 | (10000000-    | ) Tube, Rnd, 0.40id 0.50od 02.3l, Ss             | 2    |
| ▲    | 42 01685   | (10000000-    | ) Washer, Flat, 0.38b 0.88d .08, Ss              | 4    |
| ▲    | 43 57048   | (10000000-    | ) Washer, Flat, 0.53b 2.13d .11, Stl, PI         | 2    |
| ▲    | 44 397816  | (10000000-    | ) Strap Assy, Handle                             | 1    |
| ▲    | 45 23996   | (10000000-    | ) Washer, Flat, 0.53b 0.84d .06, Stl, PI         | 1    |
| ▲    | 46 397817  | (10000000-    | ) Pin, Clevis, 0.50 D X 2.88l                    | 1    |
| ▲    | 47 02942   | (10000000-    | ) Pin, Hair Cotter, 0.62 D .120 Wir              | 1    |

▽ - Identifies an assembly

▲ - Identifies parts included in assembly

# STANDARD PARTS

Fig. 7 - Scrub Head Kit, Model 800D, 800 mm (32 in)



**Fig. 7 - Scrub Head Kit, Model 800D, 800 mm (32 in)**

| Ref. | Part No.   | Serial Number | Description                                      | Qty. |
|------|------------|---------------|--|------|
| ▽    | 397740     | (10000000-    | ) Kit, Ci, Head, Scrbr, [5680] [800d]            | 1    |
| ▲    | 1 1030875  | (10000000-    | ) Cover, Head, Scb, Disc, Mach [32] [32.0/800mm] | 1    |
| ▲    | 2 222535   | (10000000-    | ) Hose, Pvc, Clr, 0.38id 0.56od 08.00l           | 2    |
| ▲    | 3 222536   | (10000000-    | ) Fitting, Plstc, Tee, Bm06/Bm06/Bm08            | 1    |
| ▲    | 4 30406    | (10000000-    | ) Clip, Keeper                                   | 2    |
| ▲    | 5 397815   | (10000000-    | ) Motor, Ele, 36vdc .75hp Gear (See Breakdowns)  | 2    |
| ▲    | 6 12317    | (10000000-    | ) Screw, Hex, M10 X 1.5 X 30, Ss                 | 8    |
| ▲    | 7 41187    | (10000000-    | ) Washer, Belleville, .38                        | 8    |
| ▲    | 8 44961    | (10000000-    | ) Tie, Cable, Nyl, 14.5l .30w 4.0 Max D          | 4    |
| ▲    | 9 397813   | (10000000-    | ) Bracket, Head, Actuator                        | 1    |
| ▲    | 10 45261   | (10000000-    | ) Spring, Cmpr, 0.97od .11wir 2.5l               | 2    |
| ▲    | 11 35709   | (10000000-    | ) Screw, Hex, .38-16 X 3.50, G5                  | 2    |
| ▲    | 12 32662   | (10000000-    | ) Washer, 0.38b 1.22d .06, Ss                    | 2    |
| ▲    | 13 01686   | (10000000-    | ) Washer, Flat, 0.44b 1.00d .08, Ss              | 2    |
| ▲    | 14 59156   | (10000000-    | ) Nut, Hex, Lock, .38-16, NI, Ss                 | 2    |
| ▲    | 15 222838  | (10000000-    | ) Bracket, Pivot                                 | 1    |
| ▲    | 16 222207  | (10000000-    | ) Pin, Clevis, 0.31 D X 4.74l                    | 1    |
| ▲    | 17 01685   | (10000000-    | ) Washer, Flat, 0.38b 0.88d .08, Ss              | 3    |
| ▲    | 18 08346   | (10000000-    | ) Pin, Cotter, .125 X 0.75                       | 1    |
| ▲    | 19 05720   | (10000000-    | ) Screw, Hex, M10-1.5 X 40, Ss                   | 1    |
| ▲    | 20 39312   | (10000000-    | ) Nut, Hex, Std, M10 X 1.5                       | 1    |
| ▲    | 21 222055  | (10000000-    | ) Roller, Linkage, Head                          | 1    |
| ▲    | 22 222197  | (10000000-    | ) Pin, Clevis, 0.50 D X 4.75l                    | 1    |
| ▲    | 23 02942   | (10000000-    | ) Pin, Hair Cotter, 0.62 D .120 Wir              | 1    |
| ▲    | 24 222363  | (10000000-    | ) Spring, Extn, 1.23od X 0.15wir, 6.5l           | 2    |
| ▲    | 25 1042966 | (10000000-    | ) Hub, Drive, Brush, Disk, 0.75B [6T]            | 2    |
| ▲    | 26 09011   | (10000000-    | ) Screw, Hex, M08 X 1.25 X 30, Ss                | 2    |
| ▲    | 27 00926   | (10000000-    | ) Key, Sq, 0.25 X 0.25, 00.75l                   | 2    |
| ▲▽   | 397832     | (10000000-    | ) Kit, Ci, Skirt, 800 mm, [5680]                 | 1    |
| ▲▲   | 28 1022013 | (10000000-    | ) Skirt, Head, Disk, 32.0/800mm                  | 1    |
| ▲▲   | 29 397780  | (10000000-    | ) Plug, Plstc                                    | 7    |
| ▲▲   | 30 397779  | (10000000-    | ) Washer, 0.28b 1.00d .06t, Stl, Blk, Znc        | 7    |
| ▲    | 31 41186   | (10000000-    | ) Washer, Belleville, .31                        | 2    |
| ▲    | 32 32713   | (10000000-    | ) Washer, 0.41b 0.81d .09, Ure                   | 2    |
| ▲    | 33 222403  | (10000000-    | ) Wheel, 2.0d 0.88w 0.50b                        | 2    |
| ▲    | 34 222496  | (10000000-    | ) Sleeve   | 2    |
| ▲    | 35 33943   | (10000000-    | ) Screw, Flat, M08 X 1.25 X 40, 10.9             | 2    |
| ▲    | 36 08713   | (10000000-    | ) Nut, Hex, Lock, M08 X 1.25, NI, Ss             | 2    |
| ▲    | 37 32490   | (10000000-    | ) Washer, Flt, .25 Std                           | 2    |
| ▲    | 38 222404  | (10000000-    | ) Door, Scb Head, Lh                             | 1    |
| ▲    | 39 222405  | (10000000-    | ) Door, Scb Head, Rh                             | 1    |
| ▲    | 40 59849   | (10000000-    | ) Nut, Retainer, .312 Dia                        | 2    |
| ▲    | 41 1029425 | (10000000-    | ) Tube, Rnd, 0.40id 0.50od 02.3l, Ss             | 2    |
| ▲    | 42 01685   | (10000000-    | ) Washer, Flat, 0.38b 0.88d .08, Ss              | 4    |
| ▲    | 43 57048   | (10000000-    | ) Washer, Flat, 0.53b 2.13d .11, Stl, PI         | 2    |
| ▲    | 44 397816  | (10000000-    | ) Strap Assy, Handle                             | 1    |
| ▲    | 45 23996   | (10000000-    | ) Washer, Flat, 0.53b 0.84d .06, Stl, PI         | 1    |
| ▲    | 46 397817  | (10000000-    | ) Pin, Clevis, 0.50 D X 2.88l                    | 1    |
| ▲    | 47 02942   | (10000000-    | ) Pin, Hair Cotter, 0.62 D .120 Wir              | 1    |

▽ - Identifies an assembly

▲ - Identifies parts included in assembly

**Fig. 8 - Scrub Head Kit, Model 900D, 900 mm (36 in)**

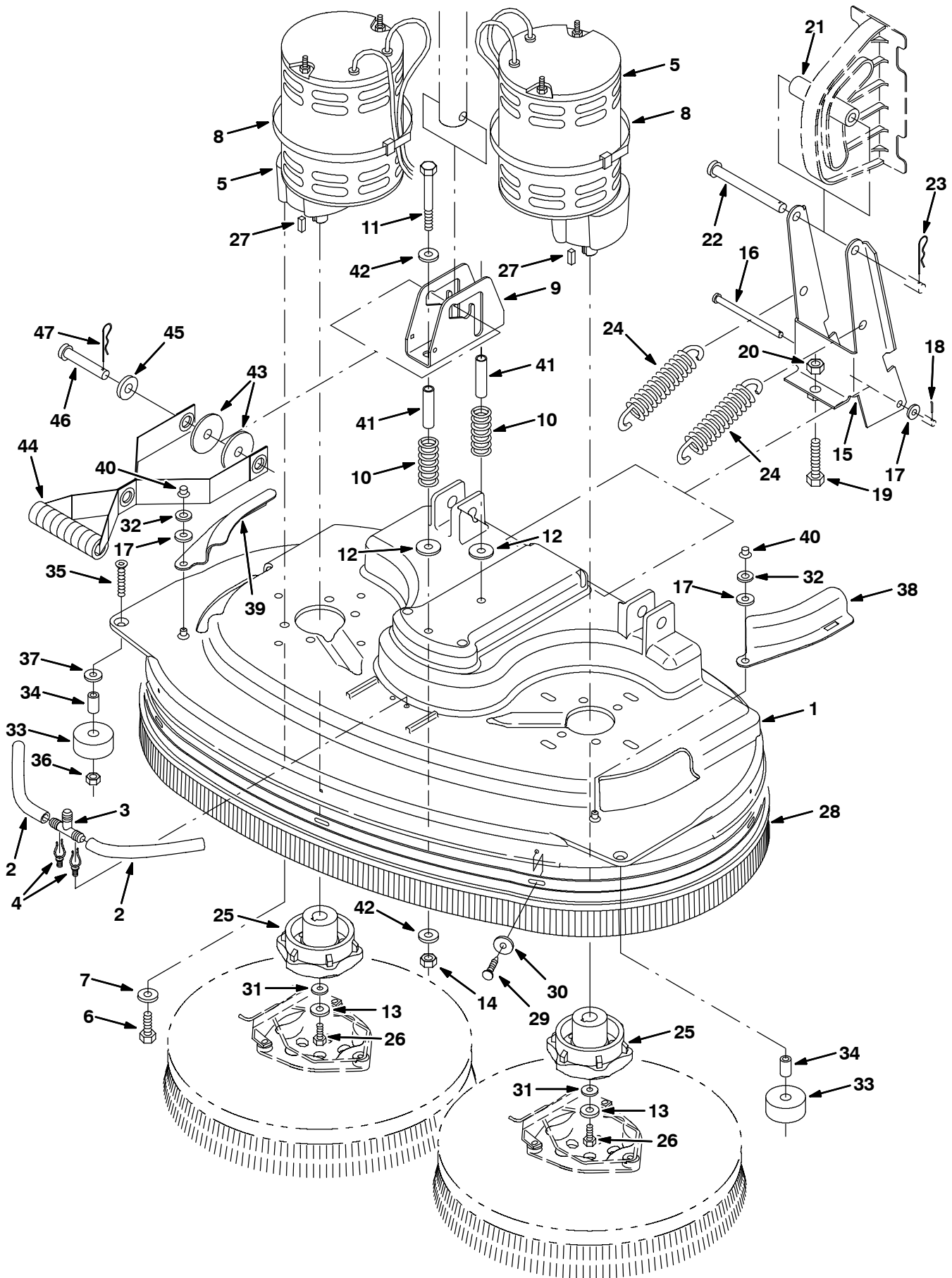


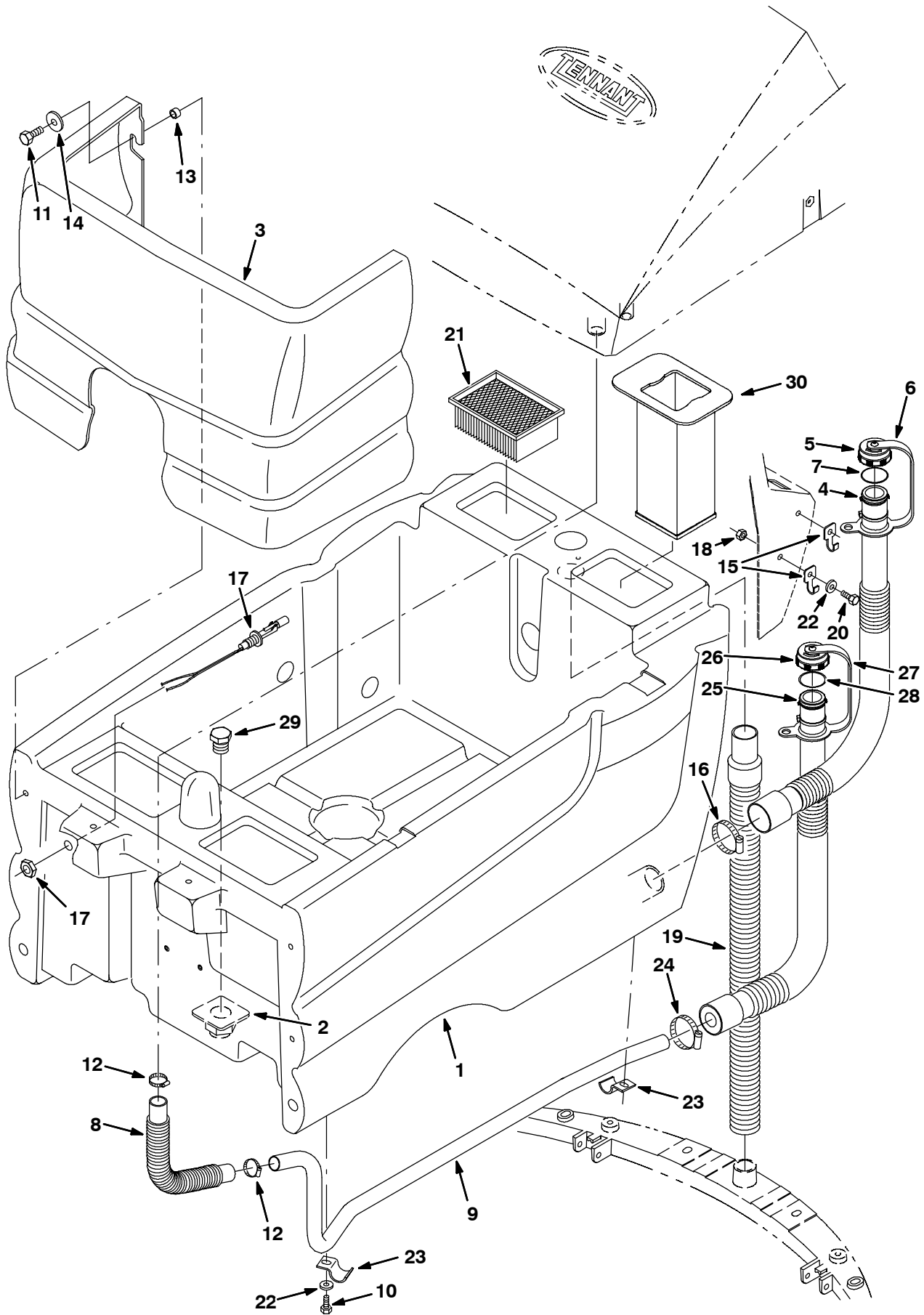
Fig. 8 - Scrub Head Kit, Model 900D, 900 mm (36 in)

| Ref. | Part No.   | Serial Number | Description                                     | Qty. |
|------|------------|---------------|---|------|
| ▽    | 397744     | (10000000-    | ) Kit, Ci, Head, Scrbr, [5680] [900d]           | 1    |
| ▲    | 1 222223   | (10000000-    | ) Cover, Head, Scrbr, Disc [36]                 | 1    |
| ▲    | 2 222535   | (10000000-    | ) Hose, Pvc, Clr, 0.38id 0.56od 08.00l          | 2    |
| ▲    | 3 222536   | (10000000-    | ) Fitting, Plstc, Tee, Bm06/Bm06/Bm08           | 1    |
| ▲    | 4 30406    | (10000000-    | ) Clip, Keeper                                  | 2    |
| ▲    | 5 397815   | (10000000-    | ) Motor, Ele, 36vdc .75hp Gear (See Breakdowns) | 2    |
| ▲    | 6 12317    | (10000000-    | ) Screw, Hex, M10 X 1.5 X 30, Ss                | 8    |
| ▲    | 7 41187    | (10000000-    | ) Washer, Belleville, .38                       | 8    |
| ▲    | 8 44961    | (10000000-    | ) Tie, Cable, Nyl, 14.5l .30w 4.0 Max D         | 4    |
| ▲    | 9 397813   | (10000000-    | ) Bracket, Head, Actuator                       | 1    |
| ▲    | 10 45261   | (10000000-    | ) Spring, Cmpr, 0.97od .11wir 2.5l              | 2    |
| ▲    | 11 35709   | (10000000-    | ) Screw, Hex, .38-16 X 3.50, G5                 | 2    |
| ▲    | 12 32662   | (10000000-    | ) Washer, 0.38b 1.22d .06, Ss                   | 2    |
| ▲    | 13 01686   | (10000000-    | ) Washer, Flat, 0.44b 1.00d .08, Ss             | 2    |
| ▲    | 14 59156   | (10000000-    | ) Nut, Hex, Lock, .38-16, NI, Ss                | 2    |
| ▲    | 15 222838  | (10000000-    | ) Bracket, Pivot                                | 1    |
| ▲    | 16 222207  | (10000000-    | ) Pin, Clevis, 0.31 D X 4.74l                   | 1    |
| ▲    | 17 01685   | (10000000-    | ) Washer, Flat, 0.38b 0.88d .08, Ss             | 3    |
| ▲    | 18 08346   | (10000000-    | ) Pin, Cotter, .125 X 0.75                      | 1    |
| ▲    | 19 05720   | (10000000-    | ) Screw, Hex, M10-1.5 X 40, Ss                  | 1    |
| ▲    | 20 39312   | (10000000-    | ) Nut, Hex, Std, M10 X 1.5                      | 1    |
| ▲    | 21 222055  | (10000000-    | ) Roller, Linkage, Head                         | 1    |
| ▲    | 22 222197  | (10000000-    | ) Pin, Clevis, 0.50 D X 4.75l                   | 1    |
| ▲    | 23 02942   | (10000000-    | ) Pin, Hair Cotter, 0.62 D .120 Wir             | 1    |
| ▲    | 24 222363  | (10000000-    | ) Spring, Extn, 1.23od X 0.15wir, 6.5l          | 2    |
| ▲    | 25 1042966 | (10000000-    | ) Hub, Drive, Brush, Disk, 0.75B [6T]           | 2    |
| ▲    | 26 09011   | (10000000-    | ) Screw, Hex, M08 X 1.25 X 30, Ss               | 2    |
| ▲    | 27 00926   | (10000000-    | ) Key, Sq, 0.25 X 0.25, 00.75l                  | 2    |
| ▲▽   | 397836     | (10000000-    | ) Kit, Ci, Skirt, 900 mm, [5680]                | 1    |
| ▲▲   | 28 1022042 | (10000000-    | ) Skirt, Head, Disk, 36.0/900mm                 | 1    |
| ▲▲   | 29 397780  | (10000000-    | ) Plug, Plstc                                   | 7    |
| ▲▲   | 30 397779  | (10000000-    | ) Washer, 0.28b 1.00d .06t, Stl, Blk, Znc       | 7    |
| ▲    | 31 41186   | (10000000-    | ) Washer, Belleville, .31                       | 2    |
| ▲    | 32 32713   | (10000000-    | ) Washer, 0.41b 0.81d .09, Ure                  | 2    |
| ▲    | 33 222403  | (10000000-    | ) Wheel, 2.0d 0.88w 0.50b                       | 2    |
| ▲    | 34 222496  | (10000000-    | ) Sleeve  | 2    |
| ▲    | 35 33943   | (10000000-    | ) Screw, Flat, M08 X 1.25 X 40, 10.9            | 2    |
| ▲    | 36 08713   | (10000000-    | ) Nut, Hex, Lock, M08 X 1.25, NI, Ss            | 2    |
| ▲    | 37 32490   | (10000000-    | ) Washer, Flt, .25 Std                          | 2    |
| ▲    | 38 222404  | (10000000-    | ) Door, Scb Head, Lh                            | 1    |
| ▲    | 39 222405  | (10000000-    | ) Door, Scb Head, Rh                            | 1    |
| ▲    | 40 59849   | (10000000-    | ) Nut, Retainer, .312 Dia                       | 2    |
| ▲    | 41 1029425 | (10000000-    | ) Tube, Rnd, 0.40id 0.50od 02.3l, Ss            | 2    |
| ▲    | 42 01685   | (10000000-    | ) Washer, Flat, 0.38b 0.88d .08, Ss             | 4    |
| ▲    | 43 57048   | (10000000-    | ) Washer, Flat, 0.53b 2.13d .11, Stl, PI        | 2    |
| ▲    | 44 397816  | (10000000-    | ) Strap Assy, Handle                            | 1    |
| ▲    | 45 23996   | (10000000-    | ) Washer, Flat, 0.53b 0.84d .06, Stl, PI        | 1    |
| ▲    | 46 397817  | (10000000-    | ) Pin, Clevis, 0.50 D X 2.88l                   | 1    |
| ▲    | 47 02942   | (10000000-    | ) Pin, Hair Cotter, 0.62 D .120 Wir             | 1    |

▽ - Identifies an assembly

▲ - Identifies parts included in assembly

Fig. 9 - Recovery Tank Group



**Fig. 9 - Recovery Tank Group**

|    | <b>Ref.</b> | <b>Part No.</b> | <b>Serial Number</b> | <b>Description</b>                       | <b>Qty.</b> |
|----|-------------|-----------------|----------------------|--|-------------|
| ▽  | 1           | 398440          | (10000000-           | ) Tank, Recvy [5680/5700]                | 1           |
| ▲  | 2           | 377349          | (10000000-           | ) Fitting, Plstc, Pf12/Pf12, Bh          | 1           |
|    | 3           | 9005799         | (10000000-           | ) Cover, Front, Teal, Afmkt [5680 Disk]  | 1           |
| ▽  | 4           | 1011168         | (10000000-           | ) Hose, Assembly, Drain, 25.7            | 1           |
| ▲▽ | 5           | 1008639         | (10000000-           | ) Cap, Drain Assembly                    | 1           |
| ▲▲ | 6           | 1019563         | (10000000-           | ) Strap, Drain Cap                       | 1           |
| ▲▲ | 7           | 1008637         | (10000000-           | ) O Ring, 1.48" ID, 1.76" Od             | 1           |
|    | 8           | 222194          | (10000000-           | ) Hose, Drain, Flex                      | 1           |
|    | 9           | 222151          | (10000000-           | ) Tube, Drain                            | 1           |
|    | 10          | 12273           | (10000000-           | ) Screw, Hex, M08 X 1.25 X 20, Ss, NI    | 2           |
|    | 11          | 12273           | (10000000-           | ) Screw, Hex, M08 X 1.25 X 20, Ss, NI    | 4           |
|    | 12          | 11399           | (10000000-           | ) Clamp-Wormdrive, 0.81- 1.50D           | 2           |
|    | 13          | 222516          | (10000000-           | ) Sleeve, P/M, 0.496d 0.318b 0.31l 430ss | 4           |
|    | 14          | 30013           | (10000000-           | ) Washer, Flat, .31 Fender               | 4           |
|    | 15          | 222793          | (10000000-           | ) Clip, Hose, Hanger                     | 2           |
|    | 16          | 22297           | (10000000-           | ) Clamp, Hose, Wormdrive, 1.56-2.50d     | 1           |
|    | 17          | 222822          | (10000000-           | ) Switch, Float                          | 1           |
|    | 18          | 08713           | (10000000-           | ) Nut-Hxlocnyln M 8X1.25 Reg Ss          | 2           |
|    | 19          | 374060          | (10000000-           | ) Hose & Cuff Assy, Vacuum 1.51D 32L     | 1           |
|    | 20          | 15675           | (10000000-           | ) Screw, Hex, M8 X 1.25 X 16, Ss         | 2           |
|    | 21          | 1037821         | (10000000-           | ) Filter, Panl, Dust, 2.3 X 04.5 X 06.4  | 1           |
|    | 22          | 01685           | (10000000-           | ) Washer Flt .31 Ss                      | 4           |
|    | 23          | 69234           | (10000000-           | ) Clamp, Cable, 1.00D 0.62W Stl          | 2           |
|    | 24          | 11531           | (10000000-           | ) Clamp, Hose, Wormdrive, 1.06-2.00d     | 1           |
| ▽  | 25          | 1011167         | (10000000-           | ) Hose, Assembly, Drain, 26.7            | 1           |
| ▲▽ | 26          | 1008639         | (10000000-           | ) Cap, Drain Assembly                    | 1           |
| ▲▲ | 27          | 1019563         | (10000000-           | ) Strap, Drain Cap                       | 1           |
| ▲▲ | 28          | 1008637         | (10000000-           | ) O Ring, 1.48" ID, 1.76" Od             | 1           |
|    | 29          | 75611           | (10000000-           | ) Ftg-Plug Npt 12Pm Rd Hd Plstc.         | 1           |
|    | 30          | 1042996         | (10000000-           | ) Screen, Debris, [5680/5700] (Optional) | 1           |

▽ - Identifies an assembly

▲ - Identifies parts included in assembly

Fig. 10 - Solution Tank Group

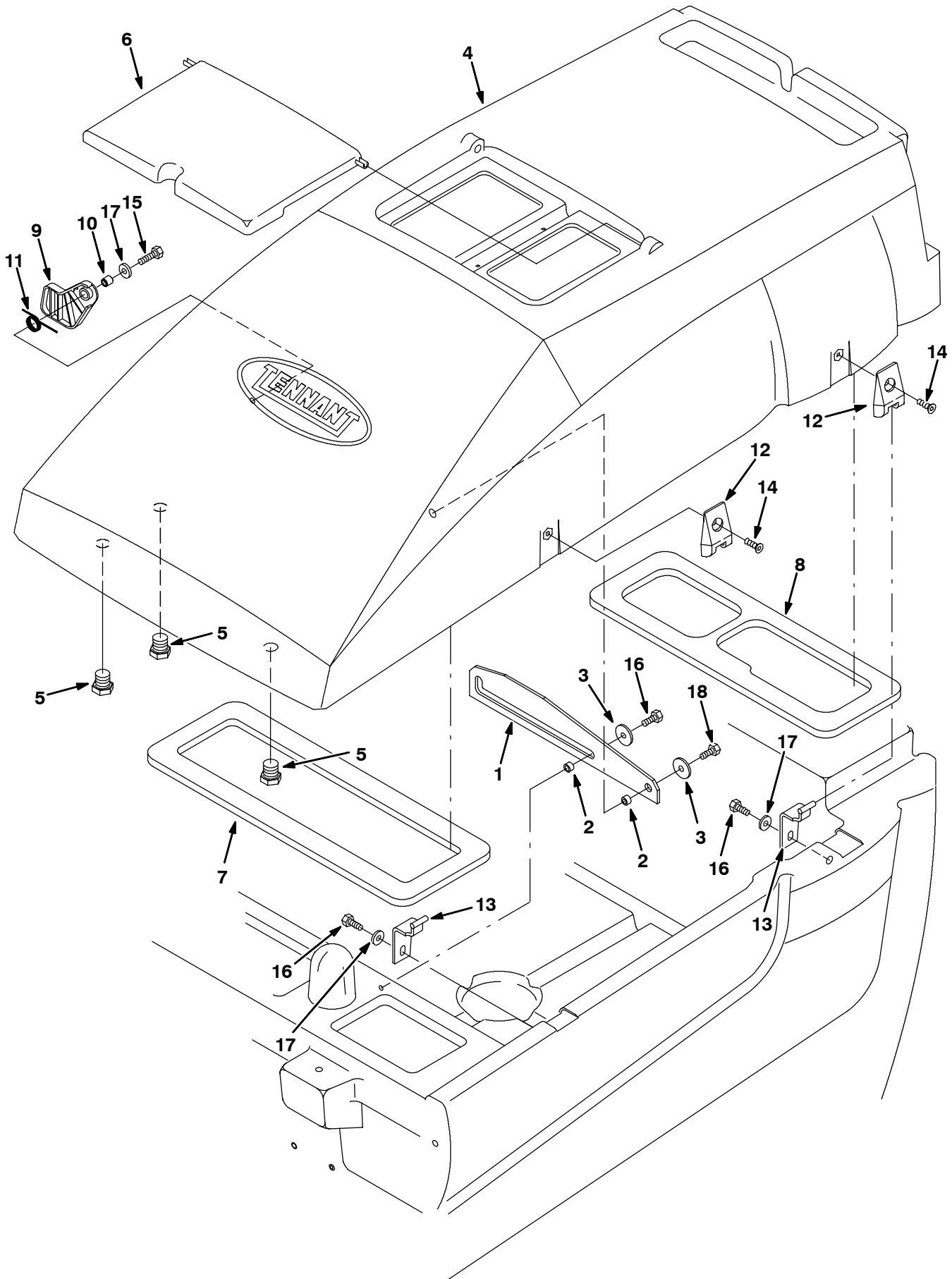




Fig. 10 - Solution Tank Group

| Ref. | Part No. | Serial Number | Description                           | Qty. |
|------|----------|---------------|---------------------------------------|------|
| 1    | 397705   | (10000000-    | ) Bracket, Prop, Arm                  | 1    |
| 2    | 222516   | (10000000-    | ) Sleeve, .318B .496D .312 Ss         | 2    |
| 3    | 30013    | (10000000-    | ) Washer-Flt .31 Fender Pltd          | 2    |
| 4    | 398430   | (10000000-    | ) Tank, Soltn [5680/5700]             | 1    |
| 5    | 75611    | (10000000-    | ) Ftg-Plug Npt 12Pm Rd Hd Plstc.      | 3    |
| 6    | 222712   | (10000000-    | ) Cover, Solution Tank, w/Label       | 1    |
| 7    | 222120   | (10000000-    | ) Gasket, Tank, Front                 | 1    |
| 8    | 222121   | (10000000-    | ) Gasket, Tank, Rear                  | 1    |
| 9    | 222406   | (10000000-    | ) Stop, Tank                          | 1    |
| 10   | 222460   | (10000000-    | ) Sleeve                              | 1    |
| 11   | 222462   | (10000000-    | ) Spring, Torsion                     | 1    |
| 12   | 222529   | (10000000-    | ) Hinge Leaf                          | 2    |
| 13   | 398485   | (10000000-    | ) Hinge Wldt, Leaf                    | 2    |
| 14   | 222463   | (10000000-    | ) Scr-Flt M 8X1.25 20 Blk Nyloc       | 2    |
| 15   | 12333    | (10000000-    | ) Scr-Hexssm 8X1.25 25 Nylnloc        | 1    |
| 16   | 12273    | (10000000-    | ) Screw, Hex, M08 X 1.25 X 20, Ss, NI | 4    |
| 17   | 01685    | (10000000-    | ) Washer Flt .31 Ss                   | 3    |

Fig. 11 - Vacuum Fan Group

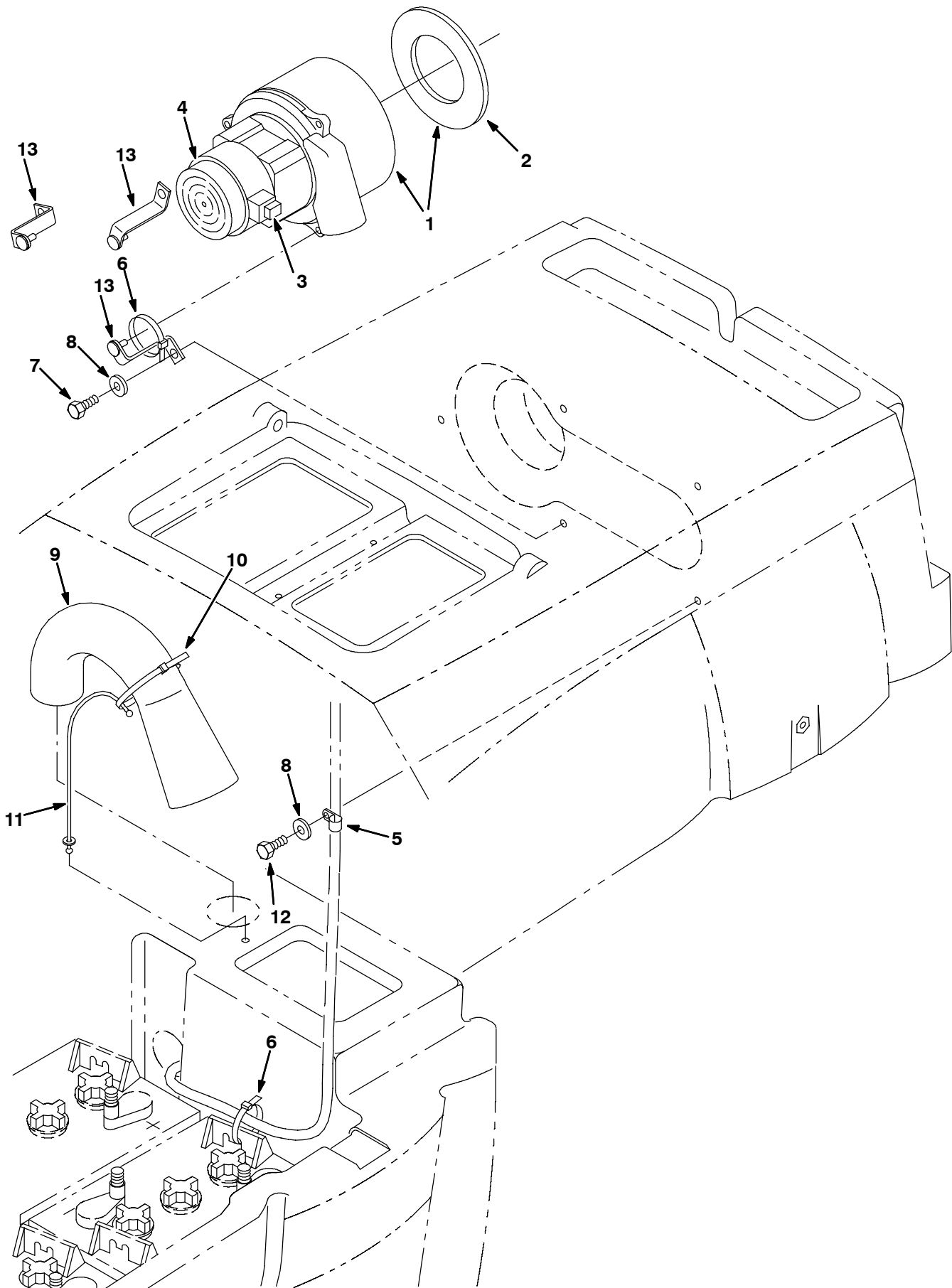


Fig. 11 - Vacuum Fan Group

|   | Ref. | Part No. | Serial Number       | Description                               | Qty. |
|---|------|----------|---------------------|---|------|
| ▽ | 1    | 9004054  | (10355629-          | ) Motor Kit, Vacuum, Replmt               | 1    |
| ▲ | 2    | 223264   | (10355629-          | ) Seal, Vac Fan                           | 1    |
| ▲ | 3    | 1041772  | (10355629-          | ) Brush Kit, Motor, Fan [1 Kit = 2 Brsh]  | 1    |
| ▲ | 4    | 1041766  | (10355629-          | ) Cover, Cooling Fan                      | 1    |
| ▽ | 1    | 398520   | (10000000-10355628) | ) Fan Assy, Vacuum, 5.7d, 036vdc, 3 Stage | 1    |
| ▲ | 2    | 223264   | (10000000-10355628) | ) Seal, Vac Fan                           | 1    |
| ▲ | 3    | 398513   | (10000000-10355628) | ) Brush Kit, Motor, Fan [1 Kit = 2 Brsh]  | 1    |
| ▲ | 4    | 398511   | (10000000-10355628) | ) Housing                                 | 1    |
|   | 5    | 40678    | (10000000-          | ) Clamp-Cable, 0.44D 0.62W                | 1    |
|   | 6    | 49266    | (10000000-          | ) Tie, Cable 1.75D Max 7.50Lg             | 2    |
|   | 7    | 12273    | (10000000-          | ) Screw, Hex, M08 X 1.25 X 20, Ss, NI     | 3    |
|   | 8    | 01685    | (10000000-          | ) Washer Flt .31 Ss                       | 4    |
|   | 9    | 222361   | (10000000-          | ) Hose, Inlet Recovery Tank               | 1    |
|   | 10   | 49263    | (10000000-          | ) Tie, Cable, Nyl, 11.4l .19w 3.0 Max D   | 1    |
|   | 11   | 222667   | (10000000-          | ) Cable, .06d, 06.8l, .25ball/.25ball     | 1    |
|   | 12   | 15675    | (10000000-          | ) Scr Hexssm 8X1.25 16                    | 1    |
|   | 13   | 222122   | (10000000-          | ) Bracket, Mounting, Vac Fan              | 3    |

▽ - Identifies an assembly

▲ - Identifies parts included in assembly

Fig. 12 - Solution Control Group

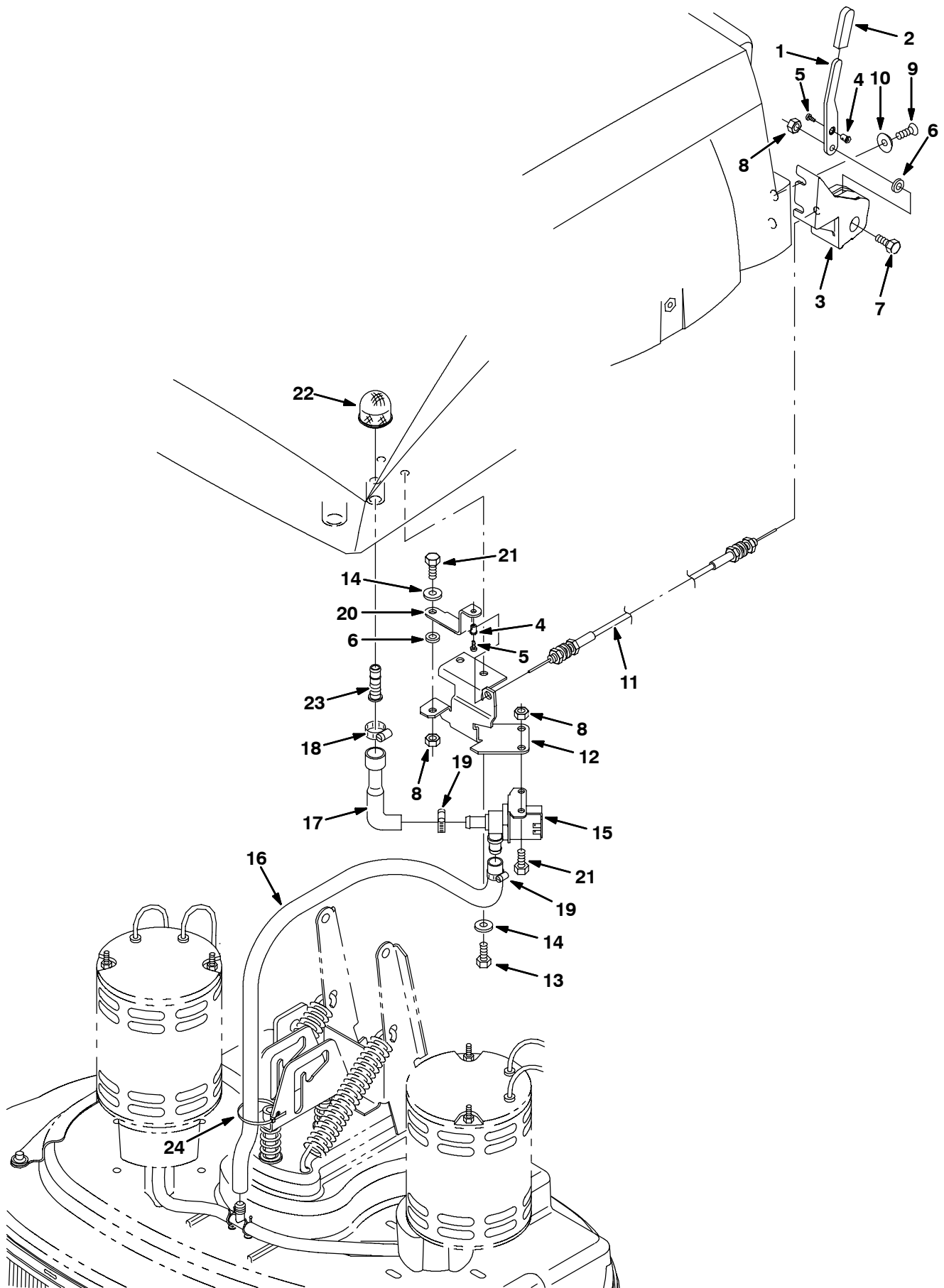


Fig. 12 - Solution Control Group

| Ref. | Part No. | Serial Number | Description                                | Qty. |
|------|----------|---------------|--|------|
| 1    | 222185   | (10000000-    | ) Lever, Control                           | 1    |
| 2    | 222190   | (10000000-    | ) Grip, Handle                             | 1    |
| 3    | 222186   | (10000000-    | ) Housing, Cntrl Lever                     | 1    |
| 4    | 43242    | (10000000-    | ) Swivel                                   | 2    |
| 5    | 32515    | (10000000-    | ) Screw, Pan, #08-32 X 0.38, 1             | 2    |
| 6    | 43454    | (10000000-    | ) Washer, 0.34b 0.69d .06, Nyl             | 2    |
| 7    | 09011    | (10000000-    | ) Screw, Hex, M08 X 1.25 X 30, Ss          | 1    |
| 8    | 08713    | (10000000-    | ) Nut, Hex, Lock, M08 X 1.25, NI, Ss       | 4    |
| 9    | 222463   | (10000000-    | ) Screw, Flat, M08 X 1.25 X 20, Blk        | 2    |
| 10   | 222466   | (10000000-    | ) Washer, Finish, M08, Blk                 | 2    |
| 11   | 222188   | (10000000-    | ) Cable, Push/Pull, 51.5L, 1.3 .075        | 1    |
| 12   | 397787   | (10000000-    | ) Bracket, Mtg, Valve                      | 1    |
| 13   | 15675    | (10000000-    | ) Screw, Hex, M08 X 1.25 X 16, Ss          | 2    |
| 14   | 01685    | (10000000-    | ) Washer, Flt, .31 Ss                      | 3    |
| 15   | 374752   | (10000000-    | ) Valve, Solenoid                          | 1    |
| 16   | 374753   | (10000000-    | ) Hose, Pvc                                | 1    |
| 17   | 397777   | (10000000-    | ) Hose, Rbr, E90, 0.62ID 0.81ID (Valve)    | 1    |
| 18   | 63810    | (10000000-    | ) Clamp, Hose, Wormdrive, 0.56-1.06d, .56w | 1    |
| 19   | 54333    | (10000000-    | ) Clamp, Hose, Wormdrive, 0.31-0.88d       | 2    |
| 20   | 222097   | (10000000-    | ) Lever, Valve                             | 1    |
| 21   | 09740    | (10000000-    | ) Screw, Hex, M08 X 1.25 X 20, Ss          | 3    |
| 22   | 222742   | (10000000-    | ) Screen, Drain                            | 1    |
| 23   | 222728   | (10000000-    | ) Fitting, Plstc, Str, Bm08/FIng           | 1    |
| 24   | 49266    | (10000000-    | ) Tie, Cable, Nyl, 07.3l .19w 1.8 Max D    | 1    |

Fig. 13 - Battery Group

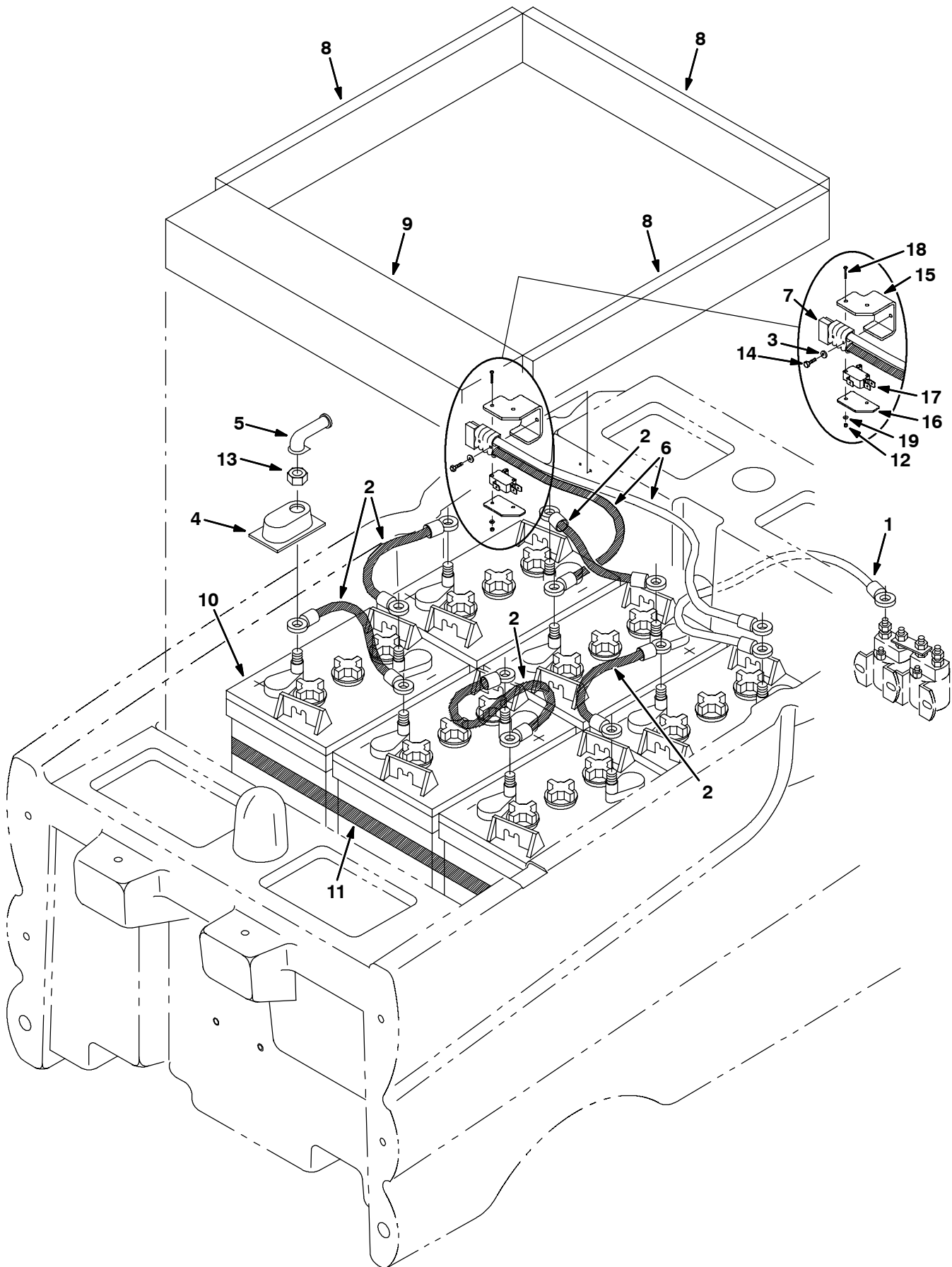


Fig. 13 - Battery Group

| Ref. | Part No. | Serial Number | Description                             | Qty.                                       |    |
|------|----------|---------------|---|--|----|
| 1    | 222218   | (10000000-    | ) Cable, Battery                        | 1  |    |
| 2    | 63735    | (10000000-    | ) Wire, 06ga 11.0l Blk .38ring /.38ring | 5  |    |
| 3    | 01757    | (10000000-    | ) Washer, Lock, Int, M03, Ss            | 2  |    |
| 4    | 45962    | (10000000-    | ) Cover, Terminal, Poly                 | 12   |    |
| 5    | 02076    | (10000000-    | ) Boot, 90Deg .50D .57X .84             | 12   |    |
| ▽    | 6        | 222217        | (10000000-                              | ) Harness, Cable, Battery                  | 1  |
| ▲    | 7        | 130155        | (10000000-                              | ) Connector, Battery, 6ga 50a, Gray[2cont] | 1  |
| ▽    |          | 222778        | (10000000-                              | ) Battery Kit 36V 235Ah Wet                | 1  |
| ▲    | 8        | 222473        | (10000000-                              | ) Spacer, Battery .62X1.5X21.0             | 3  |
| ▲    | 9        | 222474        | (10000000-                              | ) Spacer, Battery 3.0X4.3X21.0             | 1  |
| ▲    | 10       | 222280        | (10000000-                              | ) Battery, 6V, Res Cap: 129 Wet            | 6  |
|      | 11       | 222682        | (10000000-                              | ) Strap, Poly, Webbing, 100" L             | 1  |
|      | 12       | 01754         | (10000000-                              | ) Nut, Hex, Std, M3 X 0.50, 8              | 2  |
|      | 13       | 87435         | (10000000-                              | ) Nut, Hex, Flexlock, .31-18               | 12 |
|      | 14       | 06923         | (10000000-                              | ) Screw, Pan, Phl, M3 X 0.50 X 25, 4.8     | 2  |
|      | 15       | 1028907       | (10000000-                              | ) Bracket, Connector [5700xp]              | 1  |
|      | 16       | 1030332       | (10000000-                              | ) Plate, Switch, Guard                     | 1  |
|      | 17       | 600437        | (10000000-                              | ) Switch, Snap, 15a, Rlr                   | 1  |
|      | 18       | 06922         | (10000000-                              | ) Screw, Pan, Phl, M3 X 0.50 X 20, 4.8     | 2  |
|      | 19       | 01757         | (10000000-                              | ) Washer, Lock, Int, M3, Ss                | 2  |

▽ - Identifies an assembly

▲ - Identifies parts included in assembly

Fig. 14 - Steering Control Group

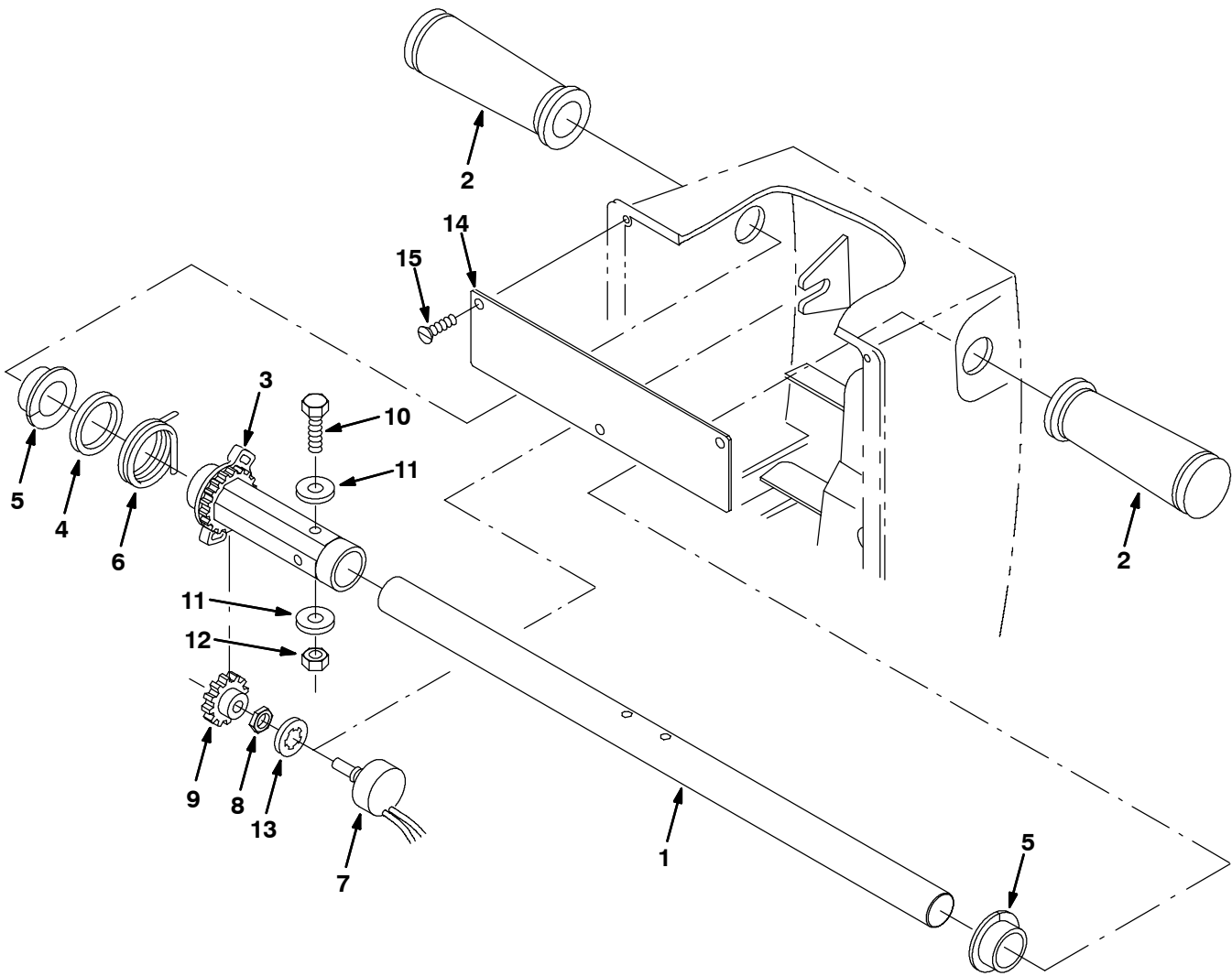




Fig. 14 - Steering Control Group

| Ref. | Part No. | Serial Number | Description                       | Qty. |
|------|----------|---------------|-----------------------------------|------|
| 1    | 222740   | (10000000-    | ) Handle, Speed Control           | 1    |
| 2    | 222648   | (10000000-    | ) Grip, Handle, Round             | 2    |
| 3    | 222079   | (10000000-    | ) Gear, Speed Control             | 1    |
| 4    | 222501   | (10000000-    | ) Washer, Spacer, Speed Control   | 1    |
| 5    | 49514    | (10000000-    | ) Bearing, Snap .875 Bore         | 2    |
| 6    | 222081   | (10000000-    | ) Spring, Torsion Centering       | 1    |
| 7    | 397736   | (10000000-    | ) Harness, Switch, Potentiometer  | 1    |
| 8    | 222607   | (10000000-    | ) Nut-Hx Thin .38-32              | 1    |
| 9    | 27974    | (10000000-    | ) Gear, 28 T. 24P                 | 1    |
| 10   | 06947    | (10000000-    | ) Screw, Hex, M06 X 1.0 X 40, 8.8 | 1    |
| 11   | 32483    | (10000000-    | ) Washer, Flt, .25 Sae            | 2    |
| 12   | 08708    | (10000000-    | ) Nut, Hex, Lock, M06 X 1.0, NI   | 1    |
| 13   | 32988    | (10000000-    | ) Washer, Lock, Int, .38          | 1    |
| 14   | 222083   | (10000000-    | ) Plate, Shield                   | 1    |
| 15   | 222465   | (10000000-    | ) Screw, Flt, M03 X 0.5 X 06, Ss  | 2    |

Fig. 15 - Operator Console Group

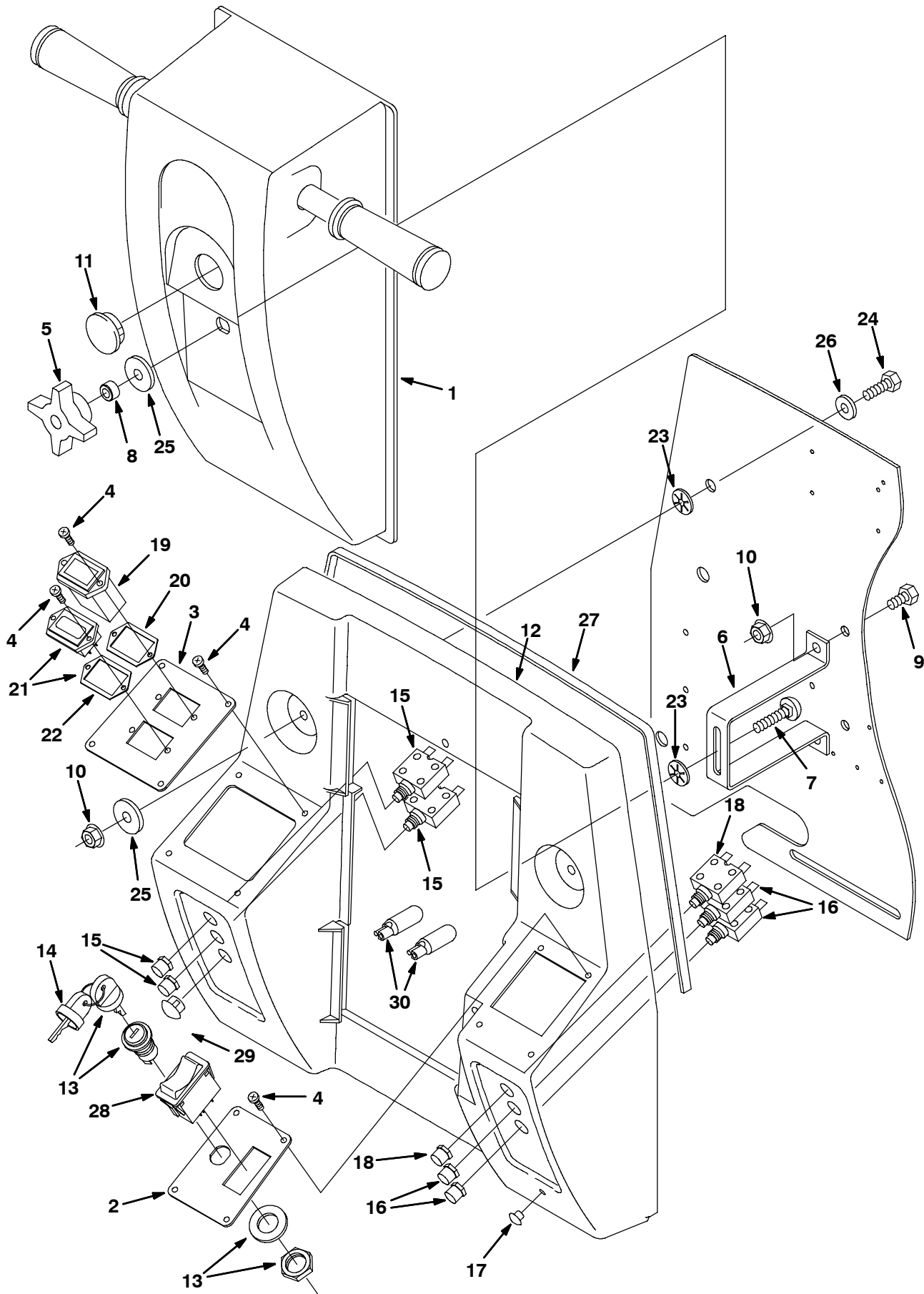


Fig. 15 - Operator Console Group

| Ref. | Part No. | Serial Number | Description                                | Qty.                                    |   |
|------|----------|---------------|--|---|---|
| 1    | 1043581  | (10000000-    | ) Shroud, Steering, Adj, Rwk [UL]          | 1                                       |   |
| 2    | 397761   | (10000000-    | ) Cover, Ele, Rh                           | 1                                       |   |
| 3    | 397760   | (10000000-    | ) Cover, Ele, Lh                           | 1                                       |   |
| 4    | 222267   | (10000000-    | ) Screw, Pan, #06-20 X 0.50, Fmg, [Ab]     | 12                                      |   |
| 5    | 370100   | (10000000-    | ) Knob, 4-Prong W/.31-18, Insert           | 1                                       |   |
| 6    | 397717   | (10000000-    | ) Bracket, Shroud, Adj                     | 1                                       |   |
| 7    | 32968    | (10000000-    | ) Bolt, Carriage, .31-18 X 2.00            | 1                                       |   |
| 8    | 222248   | (10000000-    | ) Sleeve                                   | 1                                       |   |
| 9    | 15675    | (10000000-    | ) Screw, Hex, M08 X 1.25 X 16, Ss          | 2                                       |   |
| 10   | 07791    | (10000000-    | ) Nut, Hex, Flng, M08 X 1.25               | 4                                       |   |
| 11   | 76888    | (10000000-    | ) Button, Plug, 1.25h .00-.12 [Black Nyl]  | 1                                       |   |
| 12   | 368591   | (10000000-    | ) Kit, Ci, Replmt, Rear Panel, [5680]      | 1                                       |   |
| ▽    | 13       | 222282        | (10000000-                                 | ) Switch                                | 1 |
| ▲    | 14       | 222684        | (10000000-                                 | ) Key, Set Of Two                       | 1 |
| 15   | 383725   | (10000000-    | ) Circuitbreaker, 30.0a                    | 2                                       |   |
| 16   | 383724   | (10000000-    | ) Circuitbreaker, 25.0a                    | 2                                       |   |
| 17   | 379000   | (10000000-    | ) Button, Plug, 0.22h .00-.06 [Black Nyl]  | 1                                       |   |
| 18   | 383721   | (10000000-    | ) Circuitbreaker, 10.0a                    | 1                                       |   |
| 19   | 377433   | (10000000-    | ) Gauge, Hourmeter, 12-80vdc, Analog,Rt,.1 | 1                                       |   |
| 20   | 222683   | (10000000-    | ) Gasket, Hourmeter                        | 1                                       |   |
| ▽    | 21       | 1038957       | (10000000-                                 | ) Gauge, Discharge, Battery, 36Vdc, Led | 1 |
| ▲    | 22       | 222683        | (10000000-                                 | ) Gasket, Hourmeter                     | 1 |
| 23   | 222768   | (10000000-    | ) Pushnut, Fastener                        | 3                                       |   |
| 24   | 09023    | (10000000-    | ) Screw, Hex, M08 X 1.25 X 35, Ss          | 2                                       |   |
| 25   | 30013    | (10000000-    | ) Washer, Flat, .31 Fender                 | 3                                       |   |
| 26   | 01685    | (10000000-    | ) Washer, Flt, .31 Ss                      | 2                                       |   |
| 27   | 222639   | (10000000-    | ) Seal, Rubber                             | 1                                       |   |
| 28   | 397889   | (10000000-    | ) Switch, Rocker, Dpst                     | 1                                       |   |
| 29   | 56992    | (10000000-    | ) Button, Plug, 0.50h .03-.12 [Black Nyl]  | 1                                       |   |
| 30   | 222290   | (10000000-    | ) Diode, Ele, Plug                         | 2                                       |   |

▽ - Identifies an assembly

▲ - Identifies parts included in assembly

Fig. 16 - Electrical Panel Group

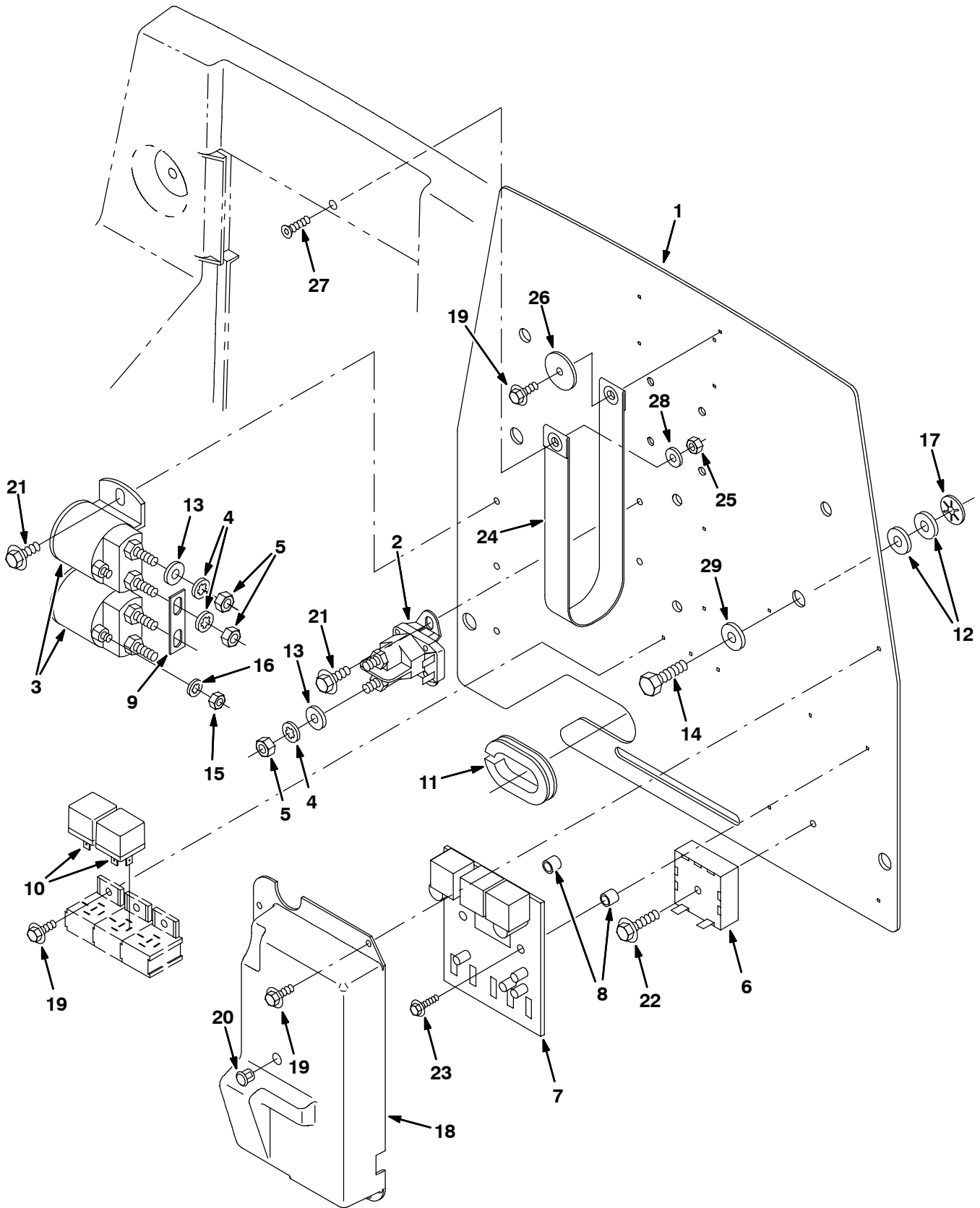


Fig. 16 - Electrical Panel Group

| Ref. | Part No. | Serial Number | Description                               | Qty. |
|------|----------|---------------|---|------|
| 1    | 1002660  | (10000000-    | ) Plate, Mtg, Electronic                  | 1    |
| 2    | 9004538  | (10000000-    | ) Contactor, Kit [383731 Replmt]          | 1    |
| 3    | 45405    | (10000000-    | ) Contactor, 36vdc                        | 2    |
| 4    | 32984    | (10000000-    | ) Washer, Lock, Int, .31                  | 6    |
| 5    | 20170    | (10000000-    | ) Nut, Hex, Jam, .31-24                   | 6    |
| 6    | 49047    | (10000000-    | ) Module, Delay                           | 1    |
| 7    | 397785   | (10000000-    | ) Controller, Propel, 40 Amp              | 1    |
| 8    | 222104   | (10000000-    | ) Spacer                                  | 2    |
| 9    | 769251   | (10000000-    | ) Busbar, Contactor                       | 1    |
| 10   | 398526   | (10000000-    | ) Relay, 36vdc, 5a, Spdt                  | 2    |
| 11   | 10632-13 | (10000000-    | ) Grommet, Rbr, 1.50id, F/ 1.8h, .31matl  | 1    |
| 12   | 13248    | (10000000-    | ) Washer, 0.40b 1.12d .12, Stl, Pl        | 8    |
| 13   | 39349    | (10000000-    | ) Washer, Flt, .31 Sae                    | 4    |
| 14   | 12333    | (10000000-    | ) Screw, Hex, M08 X 1.25 X 25, Ss, NI     | 4    |
| 15   | 01713    | (10000000-    | ) Nut, Hex, Std, #10-32, 2                | 2    |
| 16   | 32980    | (10000000-    | ) Washer, Lock, Int, #10                  | 2    |
| 17   | 222768   | (10000000-    | ) Pushnut, Fastener                       | 4    |
| 18   | 222472   | (10000000-    | ) Cover, Electronic Board                 | 1    |
| 19   | 16944    | (10000000-    | ) Screw, Hex, M04 X 0.7 X 10, Fmg         | 7    |
| 20   | 01314    | (10000000-    | ) Button, Plug, 0.38h .03-.12 [Black Nyl] | 1    |
| 21   | 222158   | (10000000-    | ) Screw, Hex, M06 X 1.0 X 10, Fmg         | 5    |
| 22   | 222159   | (10000000-    | ) Screw, Hex, M06 X 1.0 X 25, Fmg         | 1    |
| 23   | 71026    | (10000000-    | ) Screw, Hex, Fmg, M04-0.7 X 20           | 2    |
| 24   | 222450   | (10000000-    | ) Strap                                   | 1    |
| 25   | 08712    | (10000000-    | ) Nut, Hex, Lock, M06 X 1.0, NI, Ss       | 1    |
| 26   | 41178    | (10000000-    | ) Washer, Flat, .25 Fender                | 1    |
| 27   | 09163    | (10000000-    | ) Screw, Flt, M06 X 1.0 X 16, Ss          | 1    |
| 28   | 01684    | (10000000-    | ) Washer, Flt, .25 Ss                     | 1    |
| 29   | 01685    | (10000000-    | ) Washer, Flat, .31 Ss                    | 4    |

Fig. 17 - Squeegee Lift Group

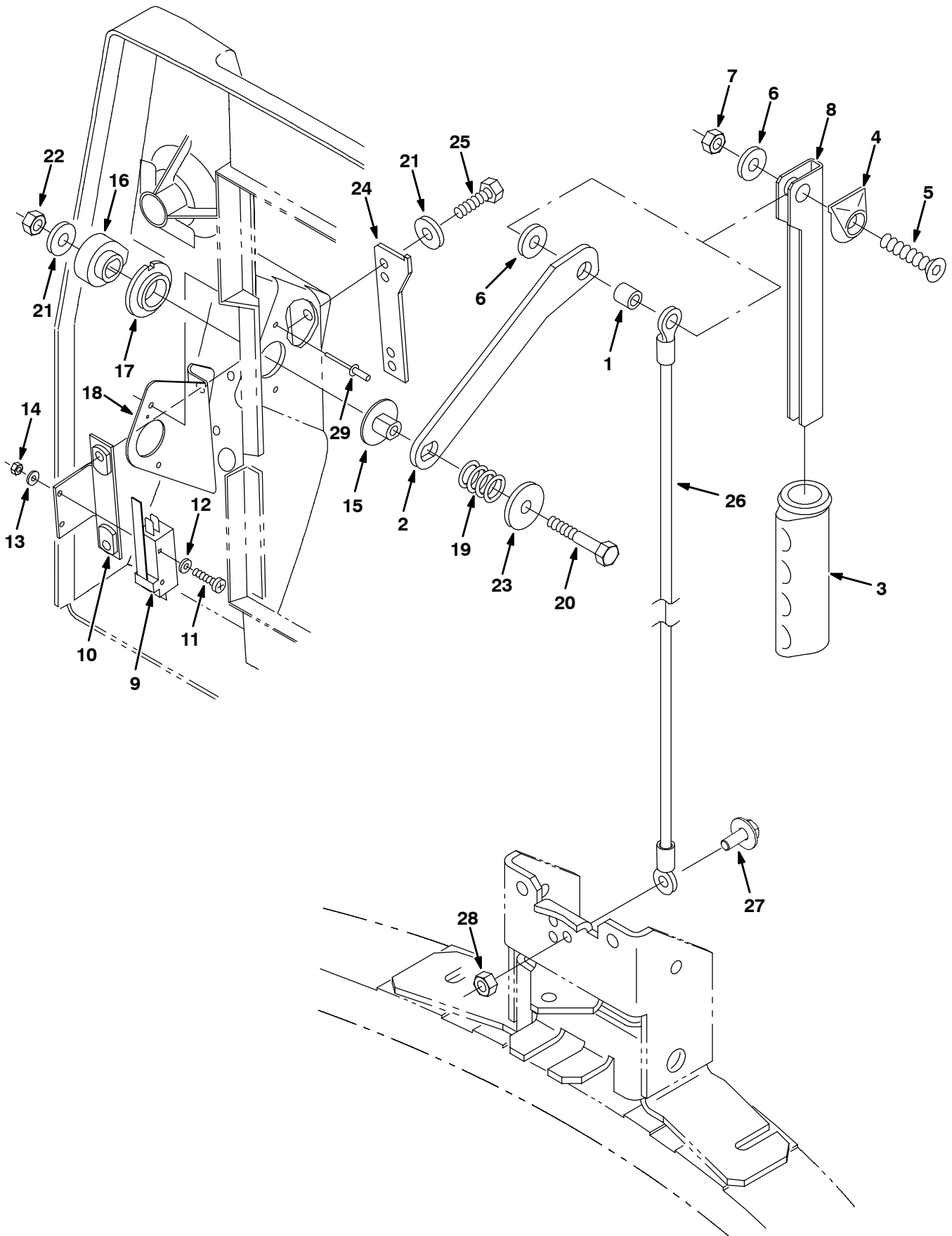


Fig. 17 - Squeegee Lift Group

| Ref. | Part No. | Serial Number | Description                              | Qty. |
|------|----------|---------------|--|------|
| 1    | 222460   | (10000000-    | ) Sleeve                                 | 1    |
| 2    | 222139   | (10000000-    | ) Lever, Squeegee Lift                   | 1    |
| 3    | 222647   | (10000000-    | ) Grip, Handle [Oblong]                  | 1    |
| 4    | 222665   | (10000000-    | ) Bumper, Handle                         | 1    |
| 5    | 79506    | (10000000-    | ) Screw, Flat, M08-1.25x 30, Ss          | 1    |
| 6    | 01685    | (10000000-    | ) Washer, Flt, .31 Ss                    | 2    |
| 7    | 08713    | (10000000-    | ) Nut, Hex, Lock, M08 X 1.25, NI, Ss     | 1    |
| 8    | 222448   | (10000000-    | ) Lever, Squeegee Lift, Upper            | 1    |
| 9    | 1008142  | (10000000-    | ) Switch, Micro, Spdt                    | 1    |
| 10   | 222402   | (10000000-    | ) Bracket, Switch, Fan                   | 1    |
| 11   | 06923    | (10000000-    | ) Screw, Pan, M03 X 0.5 X 25, 4.8        | 2    |
| 12   | 19064    | (10000000-    | ) Washer, Flt, #06                       | 2    |
| 13   | 01757    | (10000000-    | ) Washer, Lock, Int, M03, Ss             | 2    |
| 14   | 01754    | (10000000-    | ) Nut, Hex, Std, M03 X 0.5               | 2    |
| 15   | 374745   | (10000000-    | ) Pivot                                  | 1    |
| 16   | 222400   | (10000000-    | ) Cam, Switch, Fan                       | 1    |
| 17   | 222868   | (10000000-    | ) Bushing, Flng, 0.75b 1.00d 0.28l, Bnz  | 1    |
| 18   | 222867   | (10000000-    | ) Plate, Sqge, Pivot                     | 1    |
| 19   | 57889    | (10000000-    | ) Spring, Cmpr, 0.69od .05wir 0.6l       | 1    |
| 20   | 06948    | (10000000-    | ) Screw, Hex, M06 X 1.0 X 45, 8.8        | 1    |
| 21   | 01684    | (10000000-    | ) Washer, Flt, .25 Ss                    | 2    |
| 22   | 08708    | (10000000-    | ) Nut, Hex, Lock, M06 X 1.0, NI          | 1    |
| 23   | 41178    | (10000000-    | ) Washer, Flat, .25 Fender               | 2    |
| 24   | 222138   | (10000000-    | ) Bracket, Catch                         | 1    |
| 25   | 11329    | (10000000-    | ) Screw, Hex, M06 X 1.0 X 16, Ss, NI     | 2    |
| 26   | 222227   | (10000000-    | ) Cable, .13d, 26.7l, .50eye /.25eye     | 1    |
| 27   | 1034731  | (10000000-    | ) Screw, Hex, M6 X 1.00 X 16, Sems, Ss   | 1    |
| 28   | 08712    | (10000000-    | ) Nut, Hex, Lock, M06 X 1.0, NI, Ss      | 1    |
| 29   | 34738    | (10000000-    | ) Rivet, Blind, .125d X 0.32 X .25d, Stl | 2    |

Fig. 18 - Squeegee Linkage Group

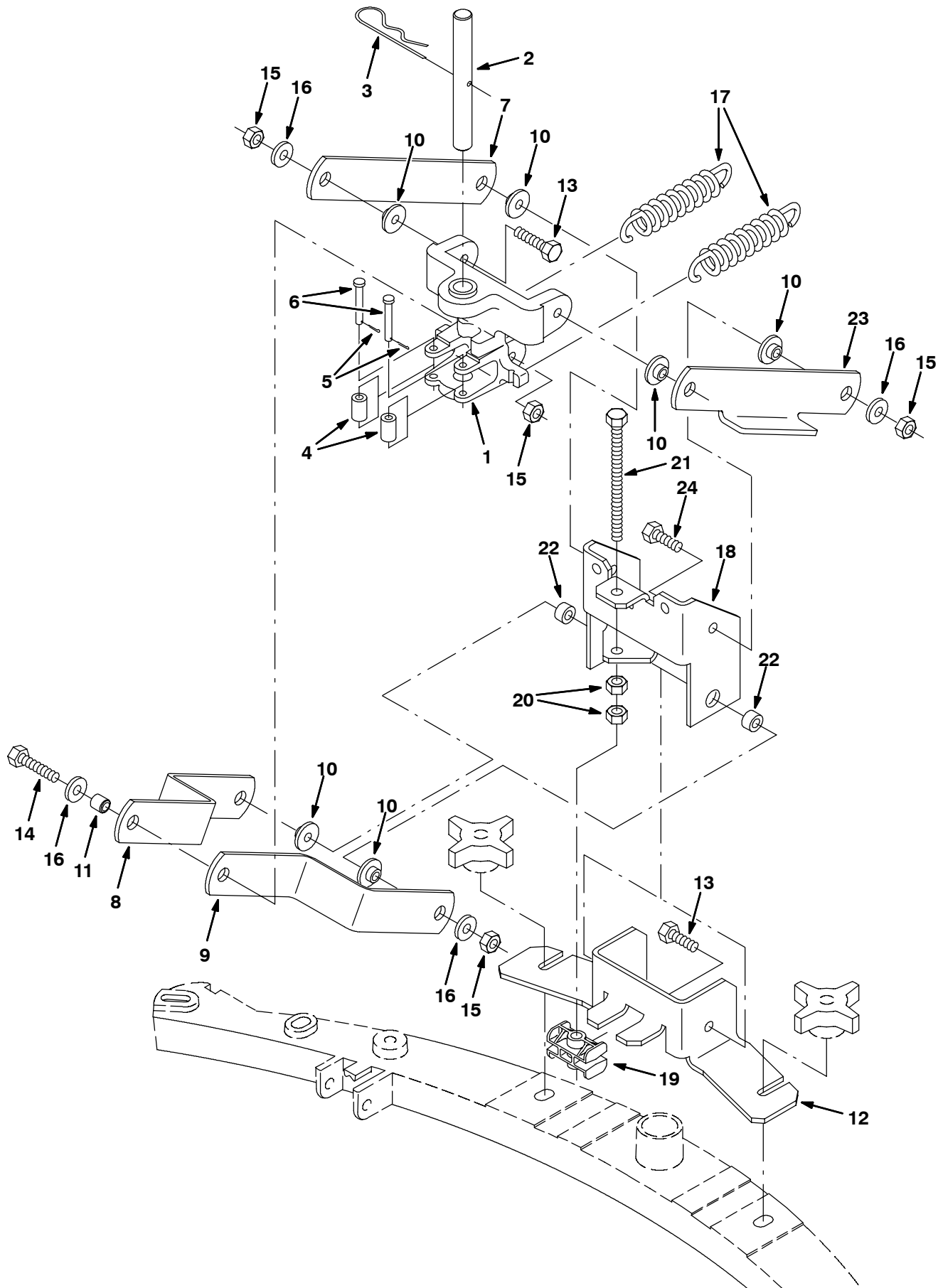




Fig. 18 - Squeegee Linkage Group

| Ref. | Part No. | Serial Number | Description                             | Qty. |
|------|----------|---------------|---|------|
| 1    | 1030870  | (10000000-    | ) Block, Pivot, Mach                    | 1    |
| 2    | 222239   | (10000000-    | ) Pin, 0.62d 05.4l 1/16h 2/Cham         | 1    |
| 3    | 02942    | (10000000-    | ) Pin, Hair Cotter, 0.62 D .120 Wir     | 1    |
| 4    | 222468   | (10000000-    | ) Roller                                | 2    |
| 5    | 08178    | (10000000-    | ) Pin, Cotter, .062 X 0.75              | 2    |
| 6    | 05283    | (10000000-    | ) Pin, Clevis, 6mm D X 40mm             | 2    |
| 7    | 397820   | (10000000-    | ) Link, Sqge, Upper                     | 1    |
| 8    | 397821   | (10000000-    | ) Link, Sqge, Lower, Rh                 | 1    |
| 9    | 397822   | (10000000-    | ) Link, Sqge, Lower, Lh                 | 1    |
| 10   | 80950    | (10000000-    | ) Bushing, Flng, 0.32b 0.50d 0.26l, Bnz | 6    |
| 11   | 222460   | (10000000-    | ) Sleeve                                | 2    |
| 12   | 222230   | (10000000-    | ) Bracket, Linkage, Lower               | 1    |
| 13   | 09023    | (10000000-    | ) Screw, Hex, M08 X 1.25 X 35, Ss       | 4    |
| 14   | 09026    | (10000000-    | ) Screw, Hex, M08 X 1.25 X 40, Ss       | 1    |
| 15   | 08713    | (10000000-    | ) Nut, Hex, Lock, M08 X 1.25, NI, Ss    | 7    |
| 16   | 01685    | (10000000-    | ) Washer, Flt, .31 Ss                   | 7    |
| 17   | 222236   | (10000000-    | ) Spring, Extn, 1.00od X 0.12wir, 5.0l  | 2    |
| 18   | 222231   | (10000000-    | ) Bracket, Linkage, Upper               | 1    |
| 19   | 222233   | (10000000-    | ) Block, Sqge, Adj                      | 1    |
| 20   | 07786    | (10000000-    | ) Nut, Hex, Std, M08 X 1.25, Ss         | 2    |
| 21   | 49883    | (10000000-    | ) Screw, Hex, M08 X 1.25 X 120, Fl      | 1    |
| 22   | 360460   | (10000000-    | ) Spacer                                | 2    |
| 23   | 1018718  | (10000000-    | ) Link, Sqge, Upper, Lh                 | 1    |
| 24   | 09010    | (10000000-    | ) Screw, Hex, M08 X 1.25 X 25, Ss       | 2    |

Fig. 19 - Squeegee Group, Model 700, 700 mm (28 in)

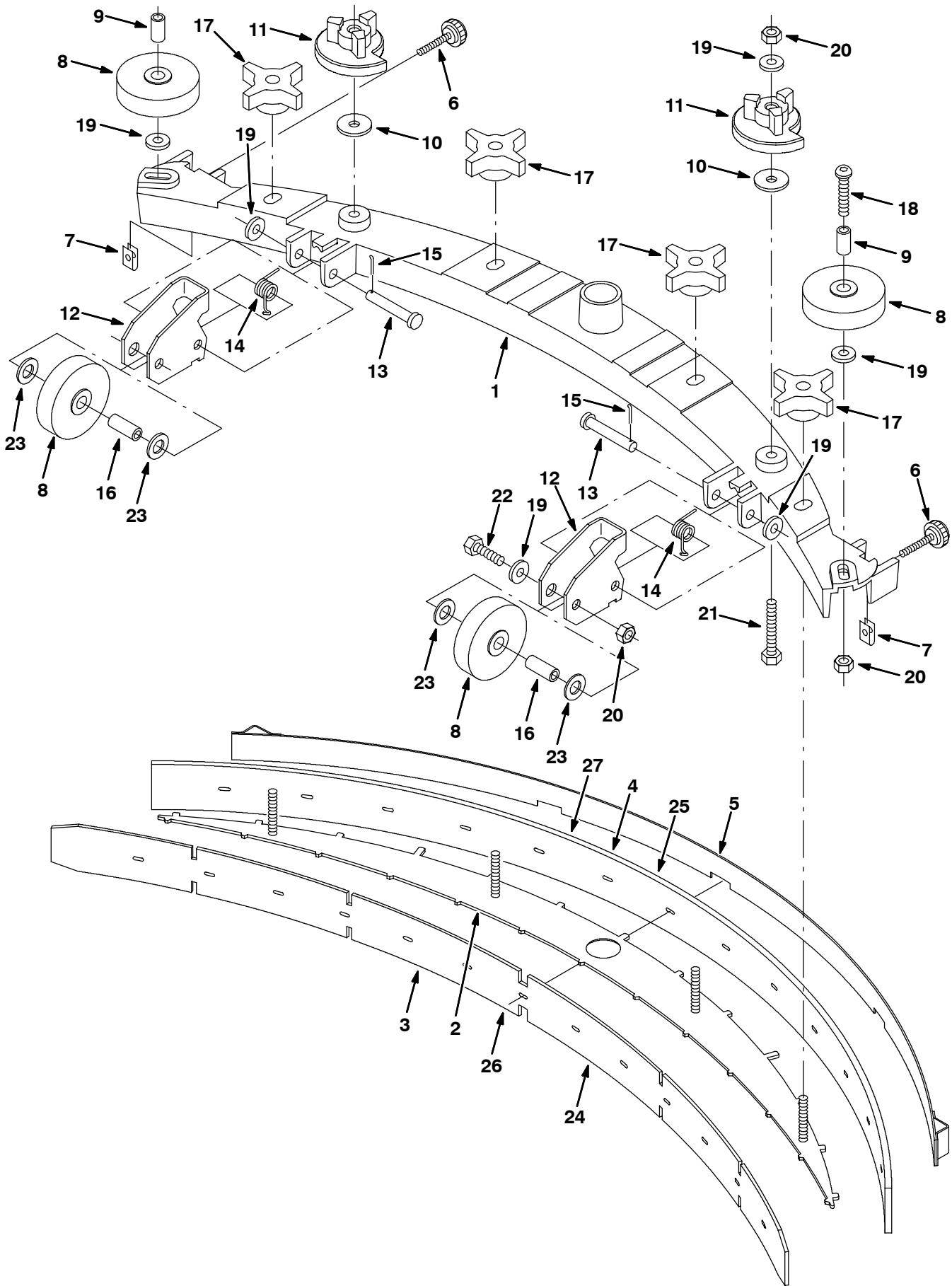


Fig. 19 - Squeegee Group, Model 700, 700 mm (28 in)

|   | Ref. | Part No. | Serial Number | Description                          | Qty. |
|---|------|----------|---------------|--------------------------------------|------|
| ▽ |      | 397751   | (10000000-    | ) Kit, Ci, Sqge, Assy, [5680] [700d] | 1    |
| ▲ | 1    | 222131   | (10000000-    | ) Frame, Sqge 28"                    | 1    |
| ▲ | 2    | 222368   | (10000000-    | ) Plate, Blade Retainer 28"          | 1    |
| ▲ | 3    | 222381   | (10000000-    | ) Blade, Squeegee,Front, 28"         | 1    |
| ▲ | 4    | 222382   | (10000000-    | ) Blade, Squeegee,Rear, 28"          | 1    |
| ▲ | 5    | 222378   | (10000000-    | ) Band Wldt, Sqge 28                 | 1    |
| ▲ | 6    | 222794   | (10000000-    | ) Knob, W1.25-20X1.5Lg Stud          | 2    |
| ▲ | 7    | 82138    | (10000000-    | ) Nut Speed,Retainer, .25-20 Thd     | 2    |
| ▲ | 8    | 222066   | (10000000-    | ) Wheel, 3.0 Dia                     | 4    |
| ▲ | 9    | 222496   | (10000000-    | ) Sleeve                             | 2    |
| ▲ | 10   | 222268   | (10000000-    | ) Washer, .375B 1.25D .12Neopre      | 2    |
| ▲ | 11   | 222244   | (10000000-    | ) Cam, Adj, Sqge                     | 2    |
| ▲ | 12   | 222245   | (10000000-    | ) Bracket, Mtg, Wheel                | 2    |
| ▲ | 13   | 222260   | (10000000-    | ) Pin, Clevis, 0.37 Dia 2.25Lg       | 2    |
| ▲ | 14   | 222130   | (10000000-    | ) Spring, Torsion, Wheel             | 2    |
| ▲ | 15   | 39005    | (10000000-    | ) Pin, Cotter .094X0.75              | 2    |
| ▲ | 16   | 222497   | (10000000-    | ) Sleeve                             | 2    |
| ▲ | 17   | 370100   | (10000000-    | ) Knob, 4 Prongs w/.31-8 Insert      | 4    |
| ▲ | 18   | 397826   | (10000000-    | ) Screw, Btn, M8 X 1.25 X 40, Ss18-8 | 2    |
| ▲ | 19   | 01685    | (10000000-    | ) Washer Flt .31 Ss                  | 8    |
| ▲ | 20   | 08713    | (10000000-    | ) Nut-Hxlcnynln M 8X1.25 Reg Ss      | 6    |
| ▲ | 21   | 09767    | (10000000-    | ) Scr Hexssm 8X1.25 70               | 2    |
| ▲ | 22   | 49694    | (10000000-    | ) Scr Hex Ssm 8X1.25 50              | 2    |
| ▲ | 23   | 32486    | (10000000-    | ) Washer, Flt, .50 Sae               | 4    |
| ▽ |      | 222422   | (10000000-    | ) Squeegee Kit, F/Tile Gumrbr700     | 1    |
| ▲ | 24   | 222385   | (10000000-    | ) Blade, Squeegee, Tile 28"          | 1    |
| ▲ | 25   | 222387   | (10000000-    | ) Blade, Squeegee, Rear, Gum 28"     | 1    |
| ▽ |      | 222428   | (10000000-    | ) Squeegee Kit Oil Rs Urethan700     | 1    |
| ▲ | 26   | 222391   | (10000000-    | ) Blade, Sqge, Front 28" Oil Rst     | 1    |
| ▲ | 27   | 222389   | (10000000-    | ) Blade, Sqge, Rear 28"Oil Resis     | 1    |

▽ - Identifies an assembly

▲ - Identifies parts included in assembly

**Fig. 20 - Squeegee Group, Model 800, 800 mm (32 in)**

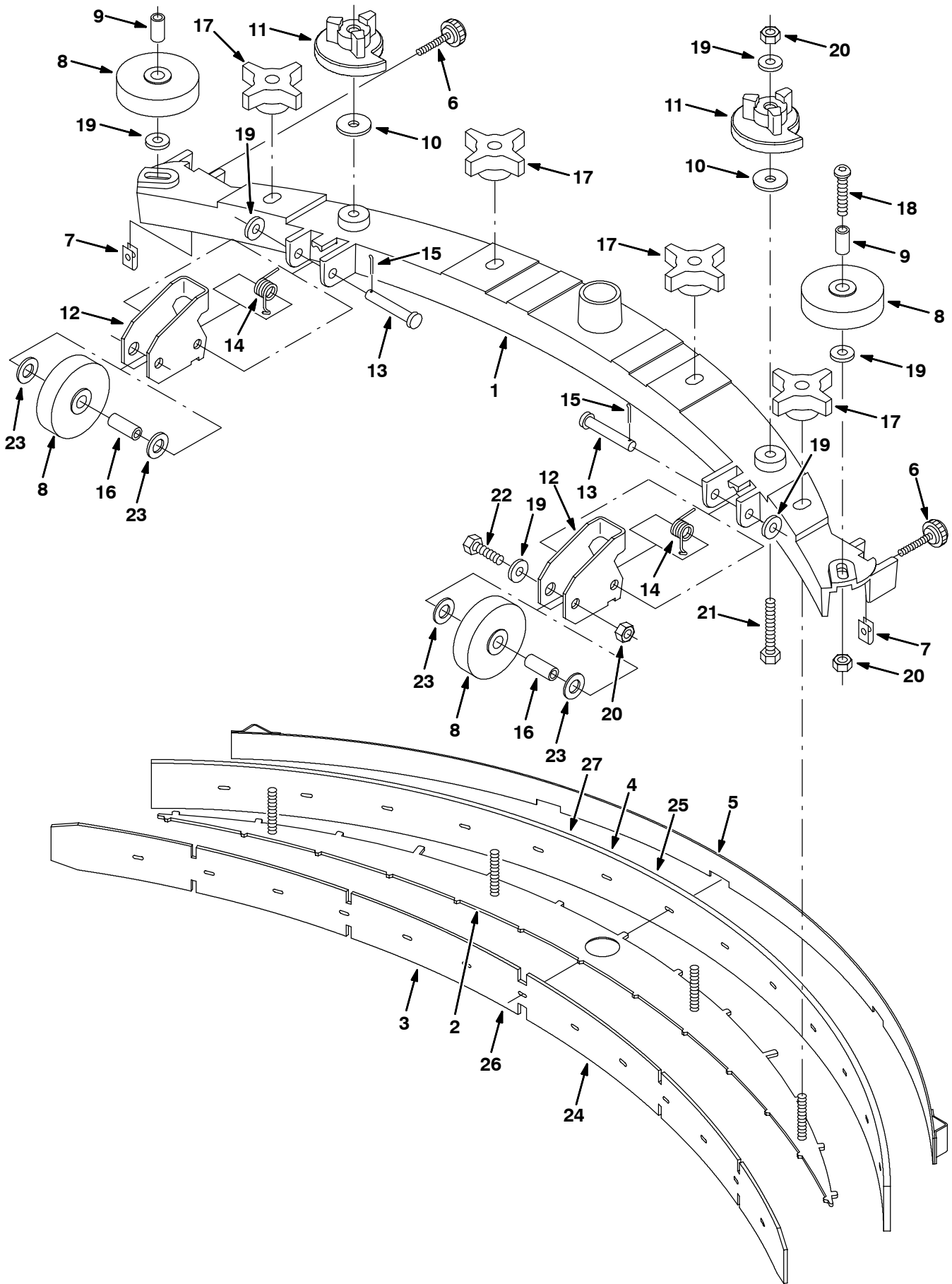


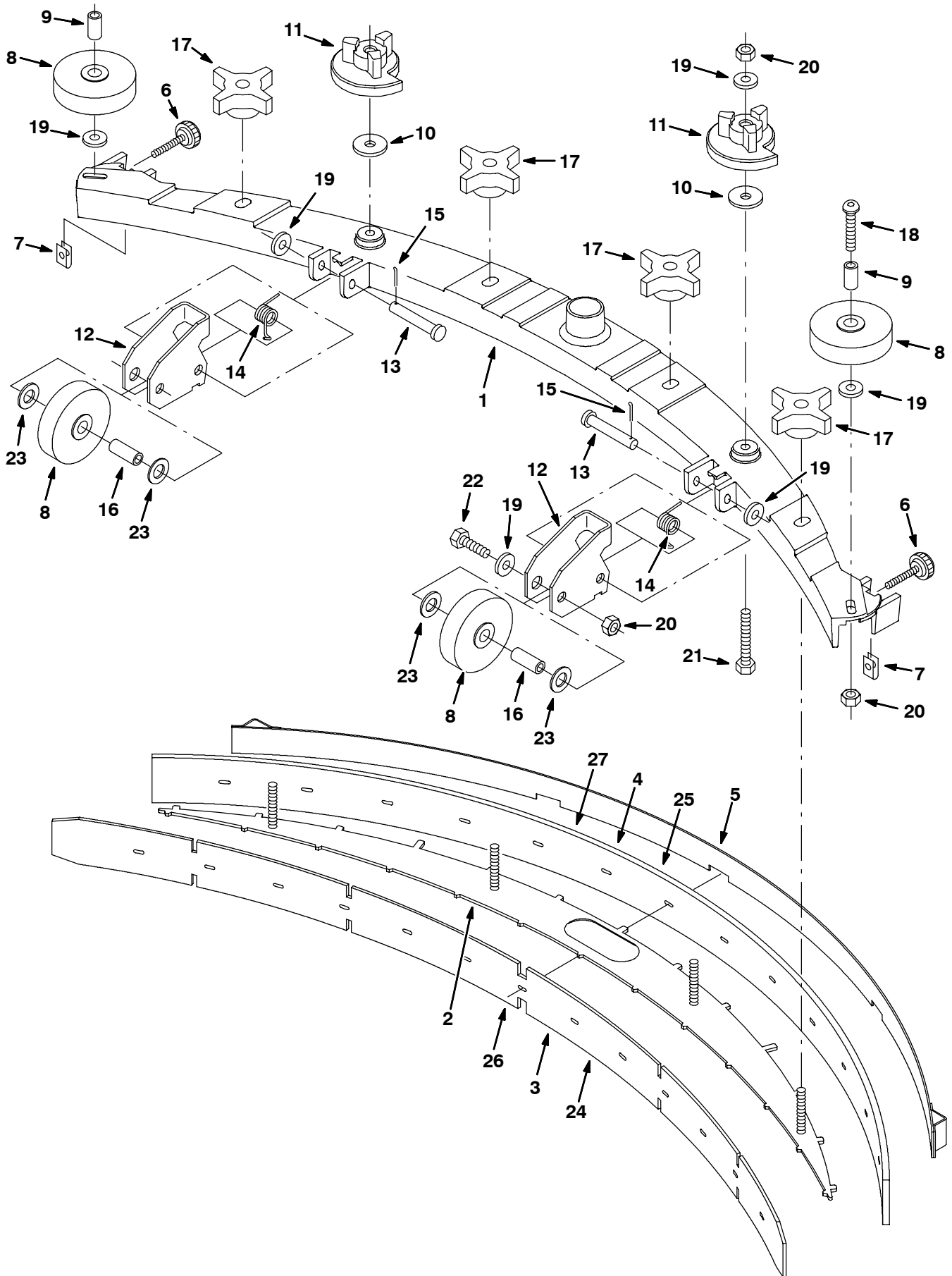
Fig. 20 - Squeegee Group, Model 800, 800 mm (32 in)

| Ref. | Part No.  | Serial Number | Description                          | Qty. |
|------|-----------|---------------|--------------------------------------|------|
| ▽    | 397749    | (10000000-    | ) Kit, Ci, Sqge, Assy, [5680] [800d] | 1    |
| ▲    | 1 222134  | (10000000-    | ) Frame, Squeegee 32"                | 1    |
| ▲    | 2 222240  | (10000000-    | ) Plate, Blade Retainer 32           | 1    |
| ▲    | 3 222241  | (10000000-    | ) Blade, Squeegee,Front, 32"         | 1    |
| ▲    | 4 222242  | (10000000-    | ) Blade, Squeegee,Rear, 32"          | 1    |
| ▲    | 5 222243  | (10000000-    | ) Band Wldt, Sqge 32                 | 1    |
| ▲    | 6 222794  | (10000000-    | ) Knob, W1.25-20X1.5Lg Stud          | 2    |
| ▲    | 7 82138   | (10000000-    | ) Nut Speed,Retainer, .25-20 Thd     | 2    |
| ▲    | 8 222066  | (10000000-    | ) Wheel, 3.0 Dia                     | 4    |
| ▲    | 9 222496  | (10000000-    | ) Sleeve                             | 2    |
| ▲    | 10 222268 | (10000000-    | ) Washer, .375B 1.25D .12Neopre      | 2    |
| ▲    | 11 222244 | (10000000-    | ) Cam, Adj, Sqge                     | 2    |
| ▲    | 12 222245 | (10000000-    | ) Bracket, Mtg, Wheel                | 2    |
| ▲    | 13 222260 | (10000000-    | ) Pin, Clevis, 0.37 Dia 2.25Lg       | 2    |
| ▲    | 14 222130 | (10000000-    | ) Spring, Torsion, Wheel             | 2    |
| ▲    | 15 39005  | (10000000-    | ) Pin, Cotter .094X0.75              | 2    |
| ▲    | 16 222497 | (10000000-    | ) Sleeve                             | 2    |
| ▲    | 17 370100 | (10000000-    | ) Knob, 4 Prongs w/.31-8 Insert      | 4    |
| ▲    | 18 397826 | (10000000-    | ) Screw, Btn, M8 X 1.25 X 40, Ss18-8 | 2    |
| ▲    | 19 01685  | (10000000-    | ) Washer Flt .31 Ss                  | 8    |
| ▲    | 20 08713  | (10000000-    | ) Nut-Hxlocnyln M 8X1.25 Reg Ss      | 6    |
| ▲    | 21 09767  | (10000000-    | ) Scr Hexssm 8X1.25 70               | 2    |
| ▲    | 22 49694  | (10000000-    | ) Scr Hex Ssm 8X1.25 50              | 2    |
| ▲    | 23 32486  | (10000000-    | ) Washer, Flt, .50 Sae               | 4    |
| ▽    | 222423    | (10000000-    | ) Squeegee Kit F/Tile Gumrbr 800     | 1    |
| ▲    | 24 222384 | (10000000-    | ) Blade, Squeegee, Tile, 32"         | 1    |
| ▲    | 25 222386 | (10000000-    | ) Blade, Squeegee, Rear,Gum 32"      | 1    |
| ▽    | 222429    | (10000000-    | ) Squeegee Kit Oil Rs Urethn 800     | 1    |
| ▲    | 26 222392 | (10000000-    | ) Blade, Sqge Front,32" Oil Rst      | 1    |
| ▲    | 27 222388 | (10000000-    | ) Blade, Sqge, Rear 32" Oil Resi     | 1    |

▽ - Identifies an assembly

▲ - Identifies parts included in assembly

**Fig. 21 - Squeegee Group, Model 900, 900 mm (36 in)**



**Fig. 21 - Squeegee Group, Model 900, 900 mm (36 in)**

| Ref. | Part No.  | Serial Number | Description                          | Qty. |
|------|-----------|---------------|--------------------------------------|------|
| ▽    | 397750    | (10000000-    | ) Kit, Ci, Sqge, Assy, [5680] [900d] | 1    |
| ▲    | 1 1028029 | (10000000-    | ) Frame, Sqge, 114cm [90cm/36]       | 1    |
| ▲    | 2 392211  | (10000000-    | ) Plate, Blade Retainer 36"          | 1    |
| ▲    | 3 222413  | (10000000-    | ) Blade, Squeegee,Front, 36"         | 1    |
| ▲    | 4 222415  | (10000000-    | ) Blade, Squeegee,Rear, 36"          | 1    |
| ▲    | 5 222417  | (10000000-    | ) Band Wldt, Sqge 36                 | 1    |
| ▲    | 6 222794  | (10000000-    | ) Knob, W1.25-20X1.5Lg Stud          | 2    |
| ▲    | 7 82138   | (10000000-    | ) Nut Speed,Retainer, .25-20 Thd     | 2    |
| ▲    | 8 222066  | (10000000-    | ) Wheel, 3.0 Dia                     | 4    |
| ▲    | 9 222496  | (10000000-    | ) Sleeve                             | 2    |
| ▲    | 10 222268 | (10000000-    | ) Washer, .375B 1.25D .12Neopre      | 2    |
| ▲    | 11 222244 | (10000000-    | ) Cam, Adj, Sqge                     | 2    |
| ▲    | 12 222245 | (10000000-    | ) Bracket, Mtg, Wheel                | 2    |
| ▲    | 13 222260 | (10000000-    | ) Pin, Clevis, 0.37 Dia 2.25Lg       | 2    |
| ▲    | 14 222130 | (10000000-    | ) Spring, Torsion, Wheel             | 2    |
| ▲    | 15 39005  | (10000000-    | ) Pin, Cotter .094X0.75              | 2    |
| ▲    | 16 222497 | (10000000-    | ) Sleeve                             | 2    |
| ▲    | 17 370100 | (10000000-    | ) Knob, 4 Prongs w/.31-8 Insert      | 4    |
| ▲    | 18 397826 | (10000000-    | ) Screw, Btn, M8 X 1.25 X 40, Ss18-8 | 2    |
| ▲    | 19 01685  | (10000000-    | ) Washer Flt .31 Ss                  | 8    |
| ▲    | 20 08713  | (10000000-    | ) Nut-Hxlocnyln M 8X1.25 Reg Ss      | 6    |
| ▲    | 21 09767  | (10000000-    | ) Scr Hexssm 8X1.25 70               | 2    |
| ▲    | 22 49694  | (10000000-    | ) Scr Hex Ssm 8X1.25 50              | 2    |
| ▲    | 23 32486  | (10000000-    | ) Washer, Flt, .50 Sae               | 4    |
| ▽    | 222424    | (10000000-    | ) Squeegee Kit F/Tile Gumrbr 900     | 1    |
| ▲    | 24 222414 | (10000000-    | ) Blade, Squeegee, Tile, 36"         | 1    |
| ▲    | 25 222416 | (10000000-    | ) Blade, Squeegee, Rear Gum, 36"     | 1    |
| ▽    | 222433    | (10000000-    | ) Squeegee Kit Oil Rs Urethn 900     | 1    |
| ▲    | 26 222434 | (10000000-    | ) Blade, Sqge, Front, 36"Oil Rst     | 1    |
| ▲    | 27 222435 | (10000000-    | ) Blade, Sqge, Rear 36" Oil Rst      | 1    |

▽ - Identifies an assembly

▲ - Identifies parts included in assembly

Fig. 22 - Electrical Schematic, Standard & Fast Model (S/N 10361690- )

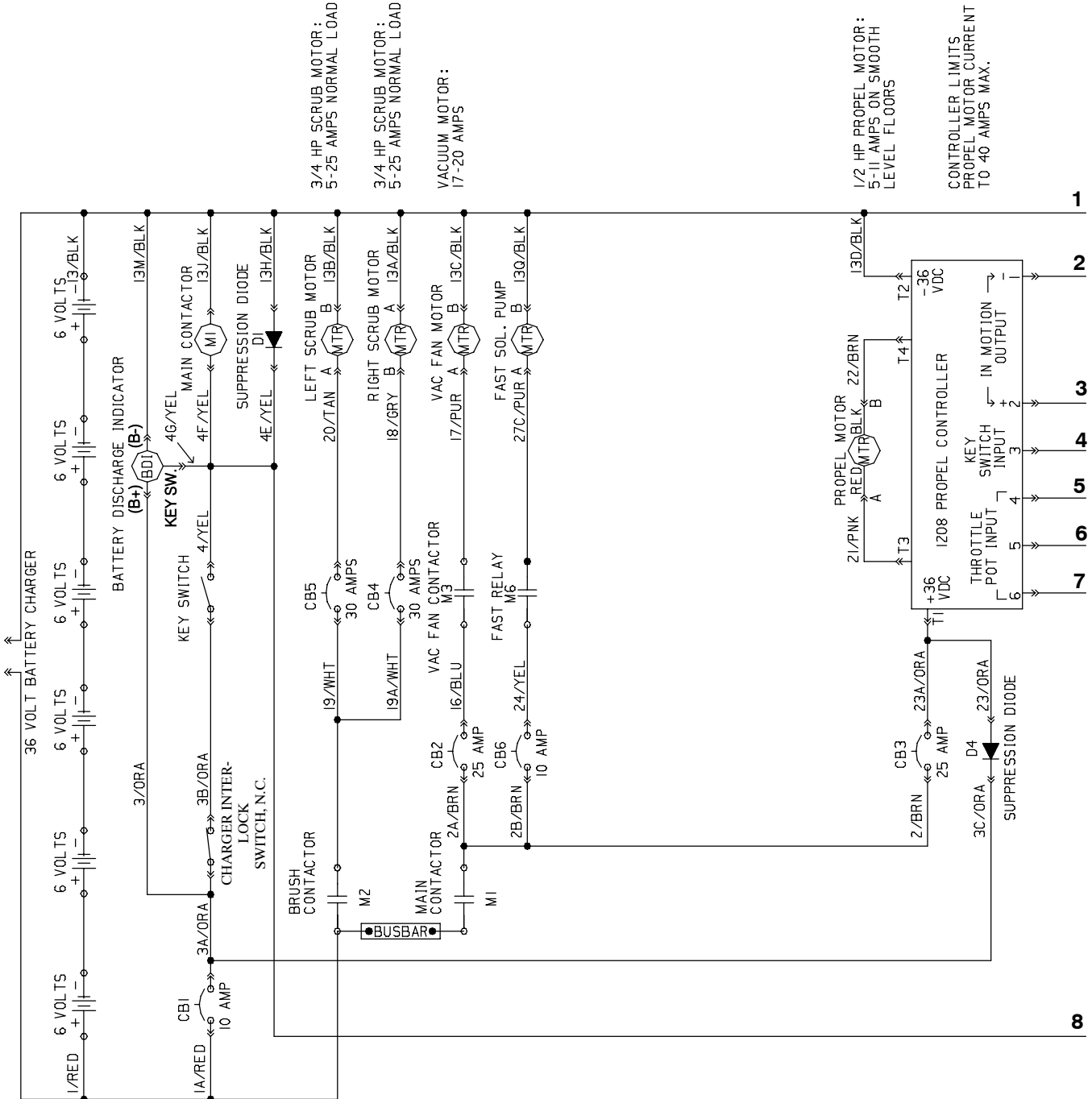
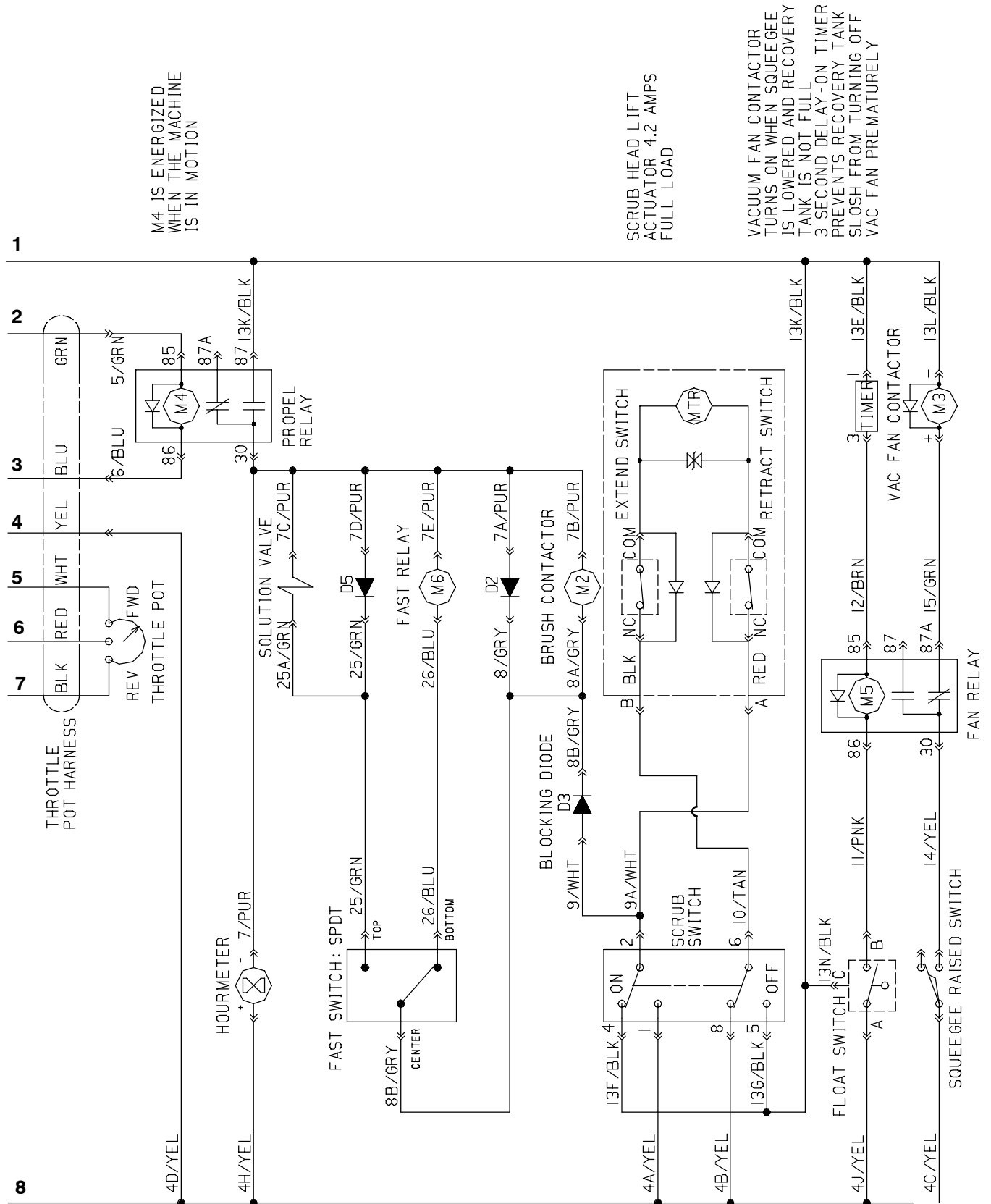




Fig. 22 - Electrical Schematic, Standard & Fast Model (S/N 10361690- )



M4 IS ENERGIZED WHEN THE MACHINE IS IN MOTION

SCRUB HEAD LIFT ACTUATOR 4.2 AMPS FULL LOAD

VACUUM FAN CONTACTOR TURNS ON WHEN SQUEEGEE IS LOWERED AND RECOVERY TANK IS NOT FULL  
3 SECOND DELAY-ON TIMER PREVENTS RECOVERY TANK SLOSH FROM TURNING OFF VAC FAN PREMATURELY

**Fig. 23 - Electrical Schematic, Standard & Fast Model (S/N 1000000-10361689)**

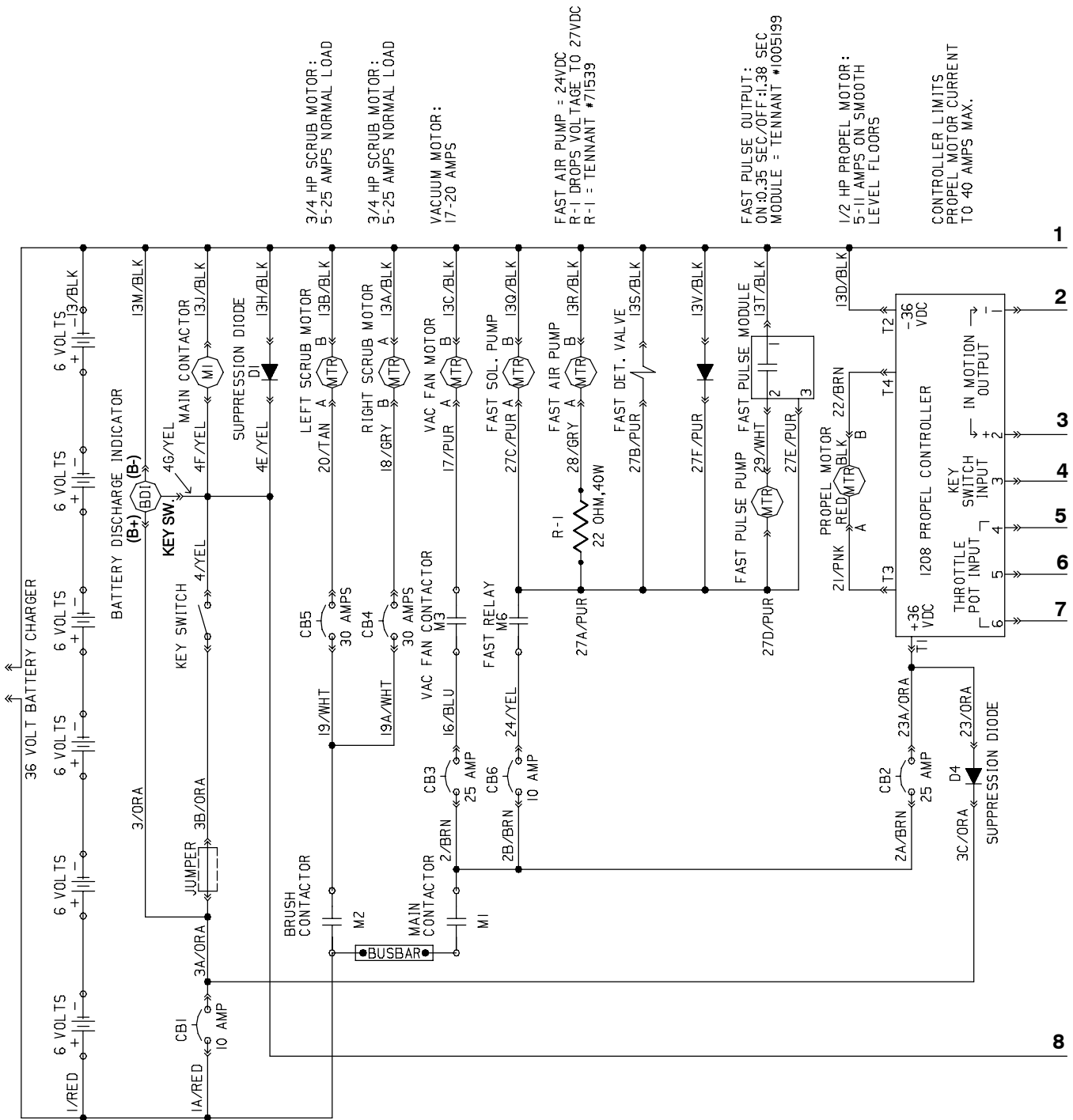


Fig. 23 - Electrical Schematic, Standard & Fast Model (S/N 1000000-10361689)

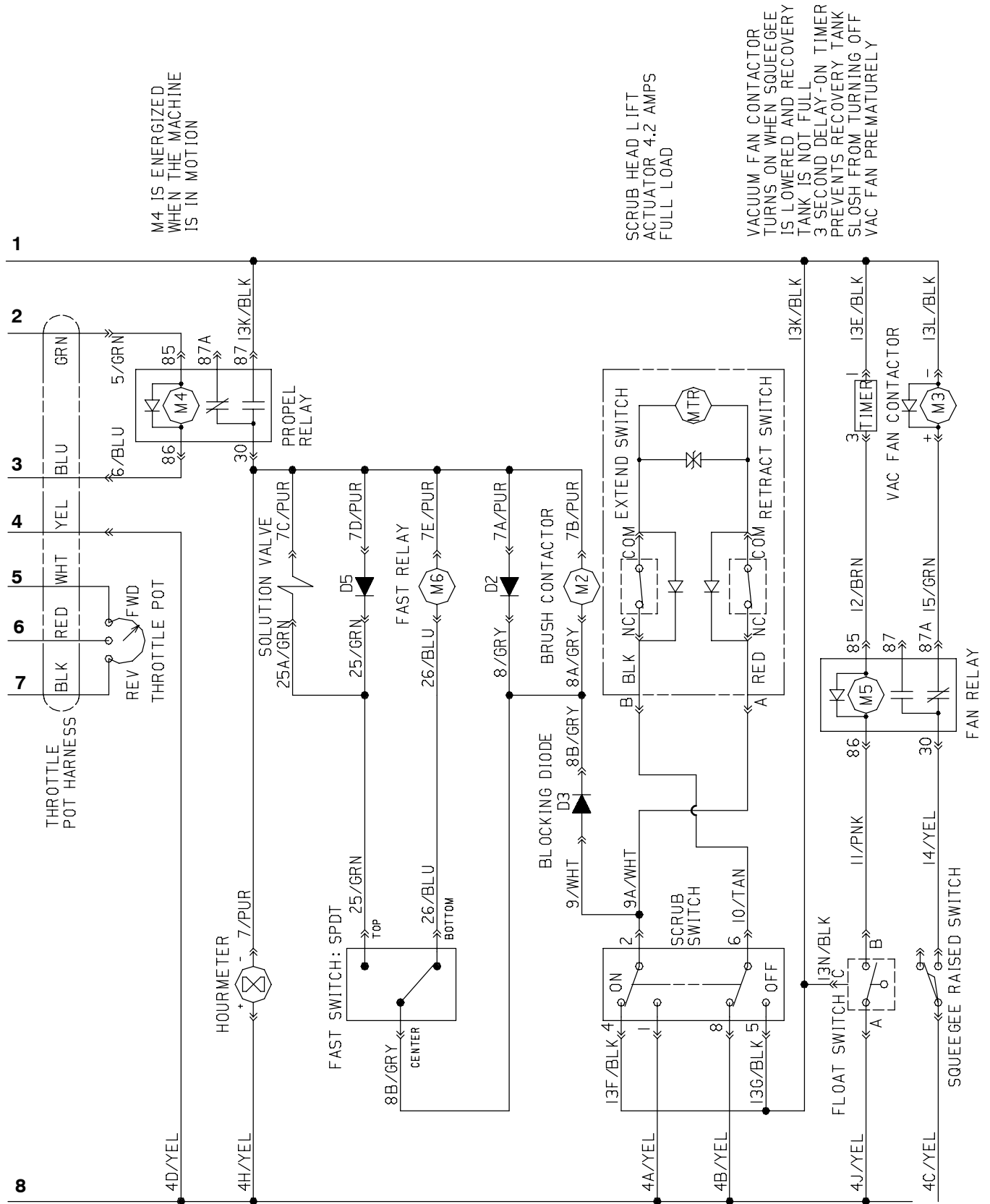


Fig. 24 - Electrical Schematic, ec-H2O Model

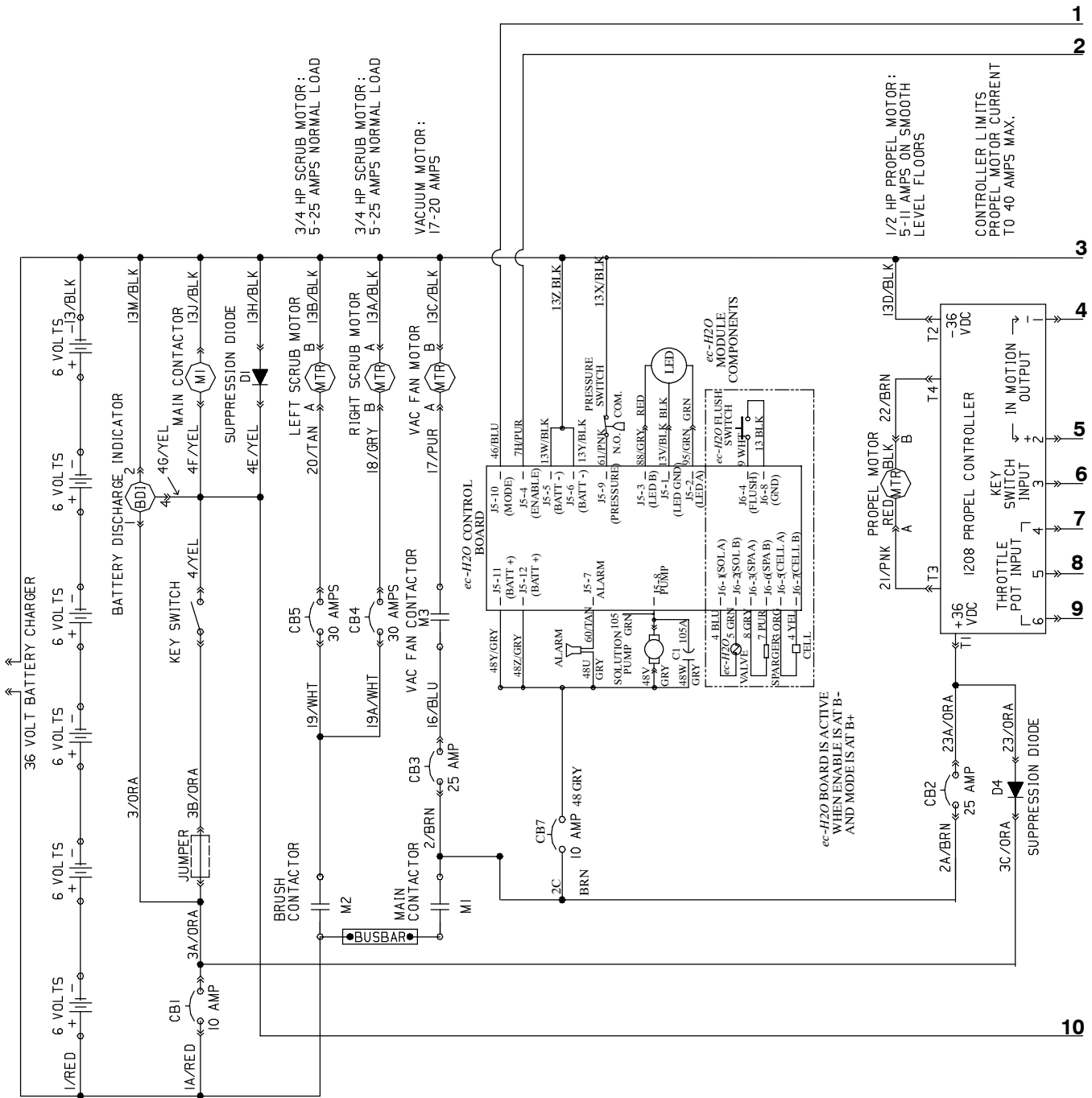
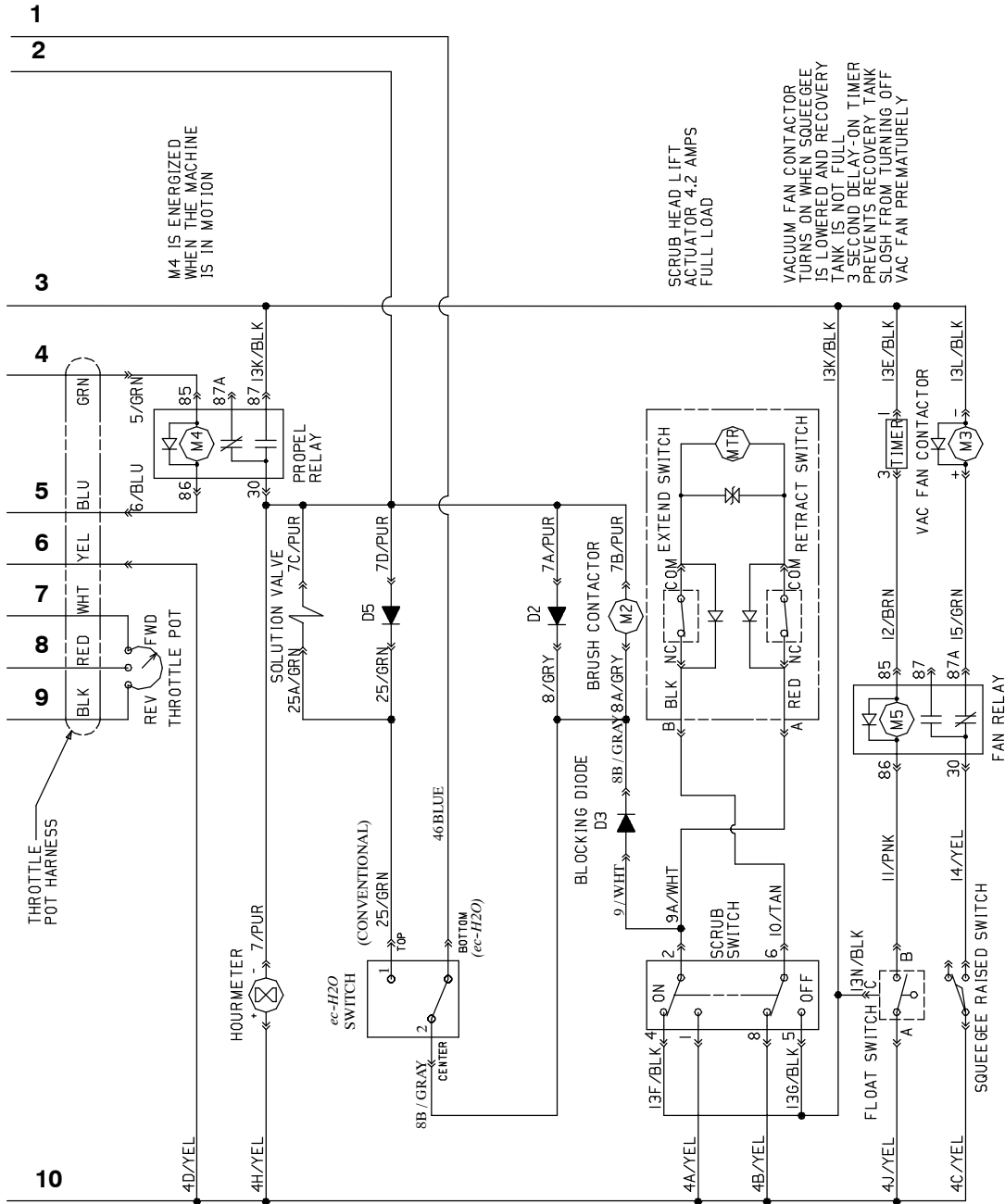


Fig. 24 - Electrical Schematic, ec-H2O Model



## Fig. 25 - Electrical Wire Harness Group

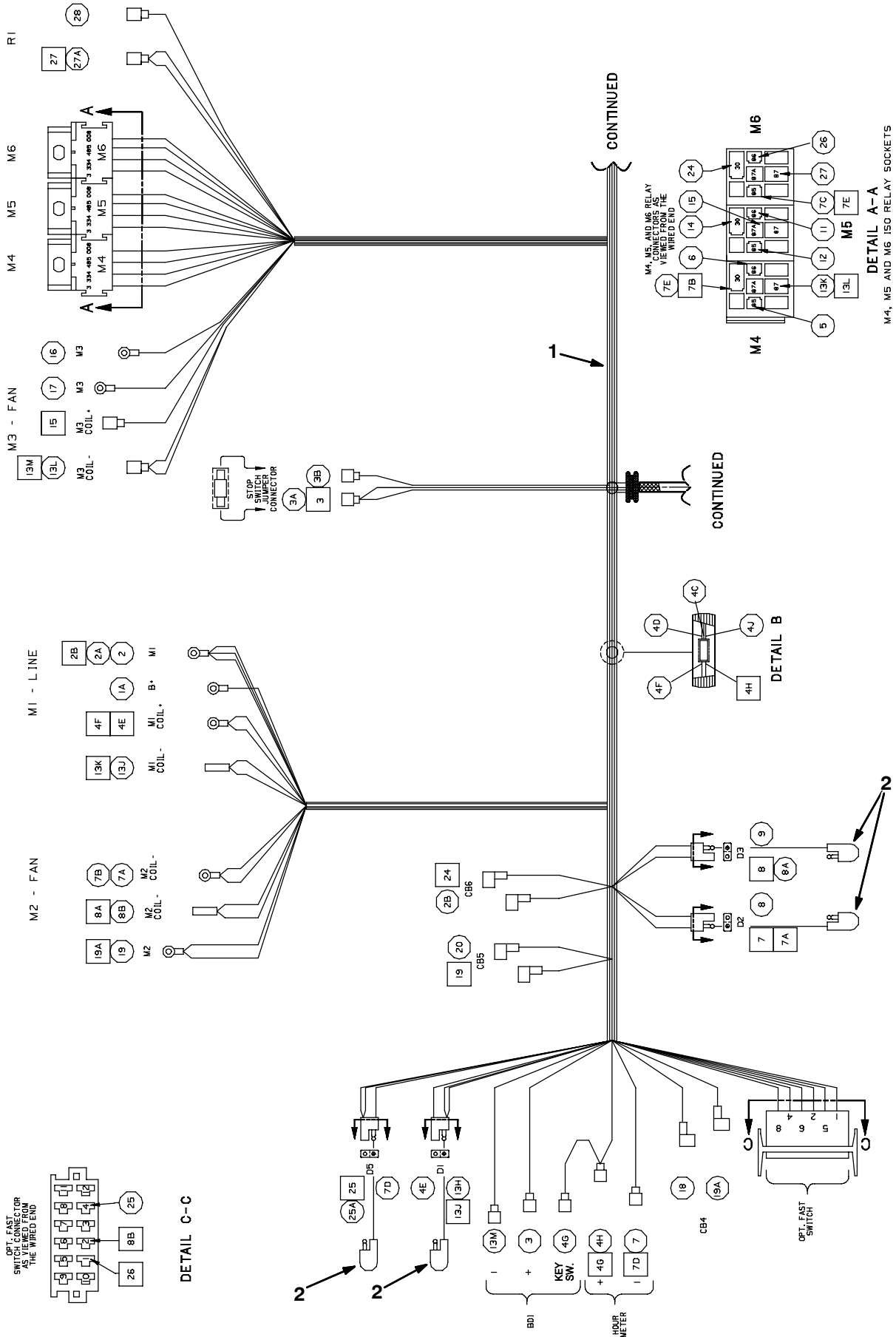


Fig. 25 - Electrical Wire Harness Group

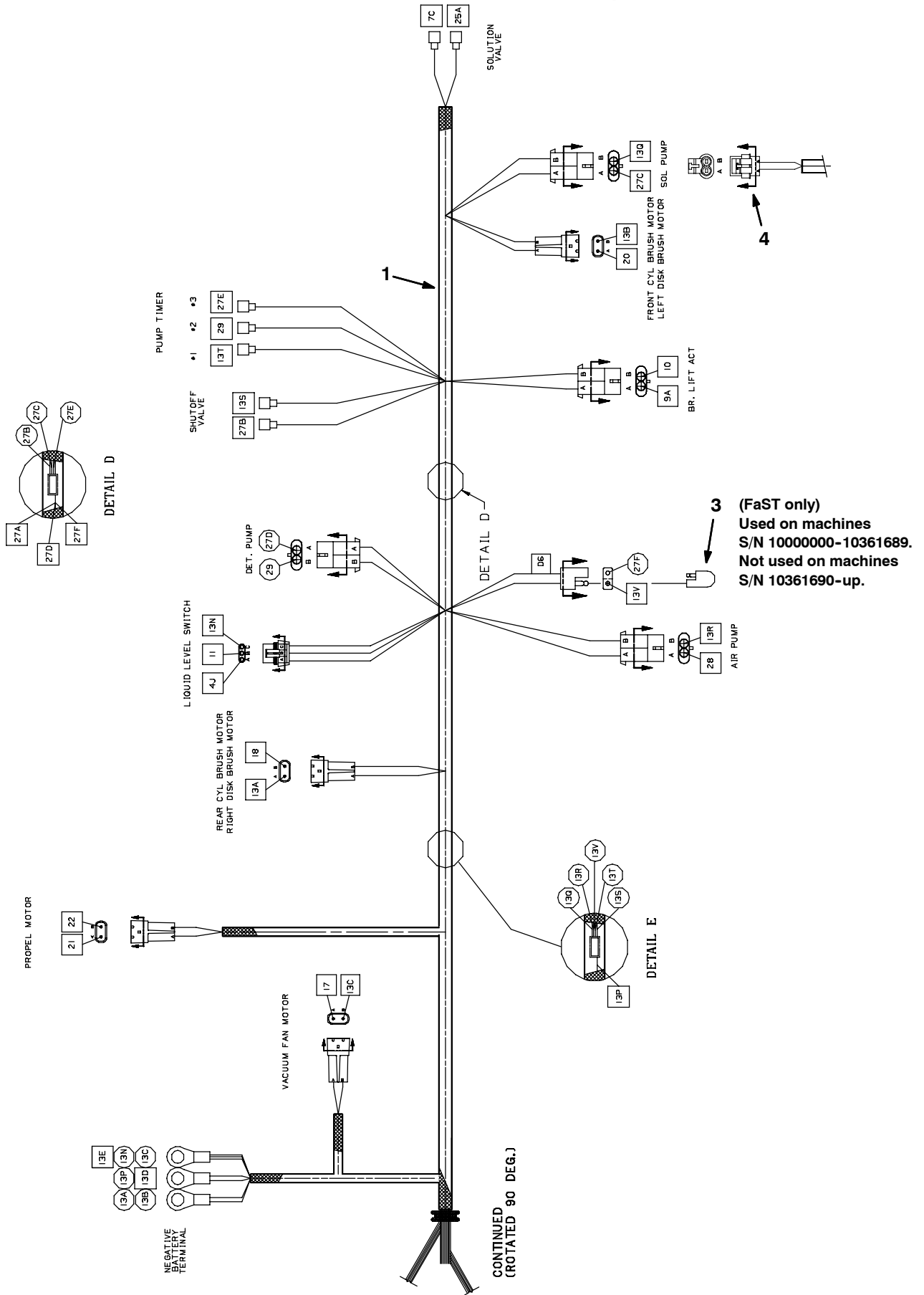


Fig. 25 - Electrical Wire Harness Group

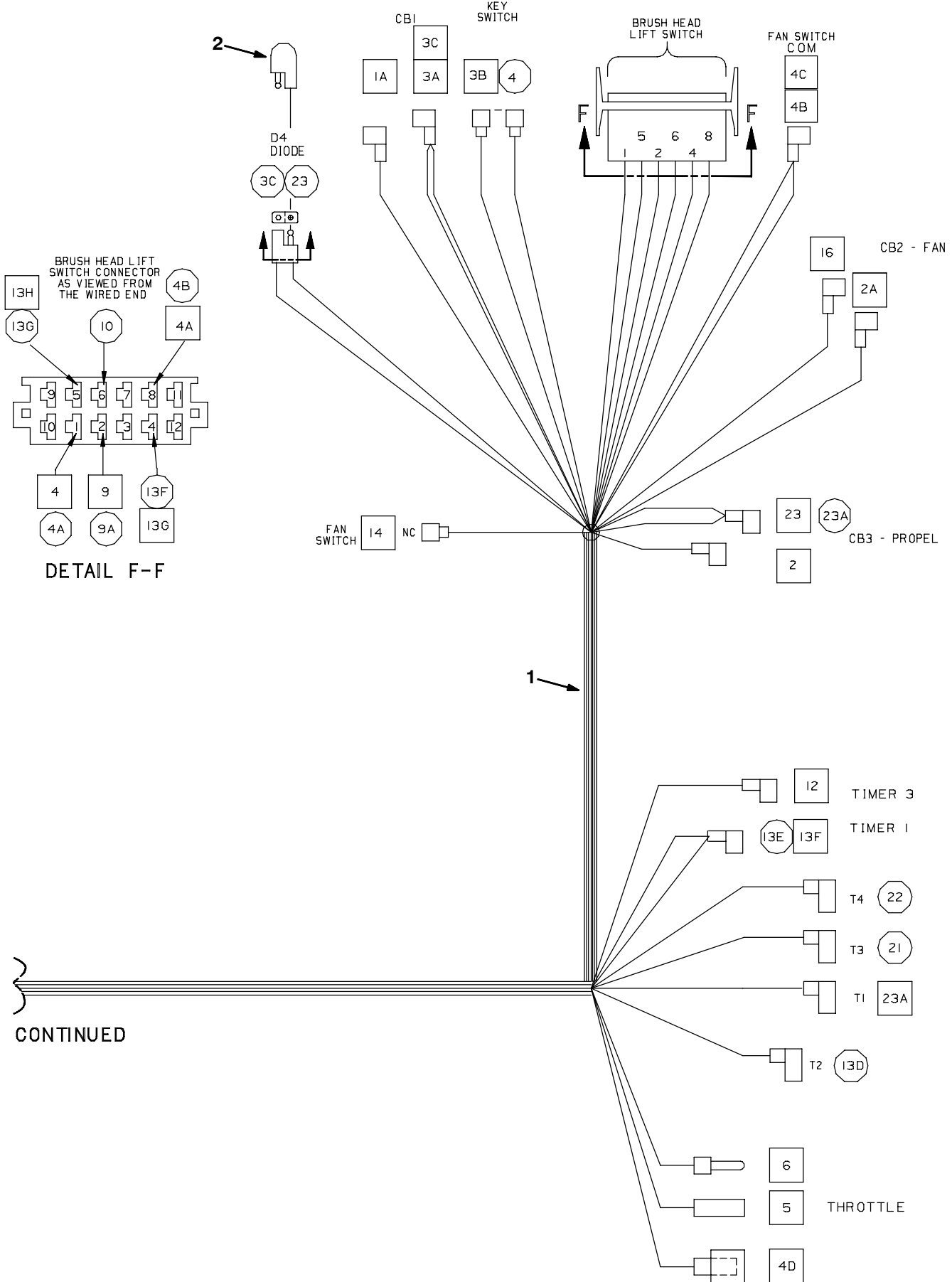
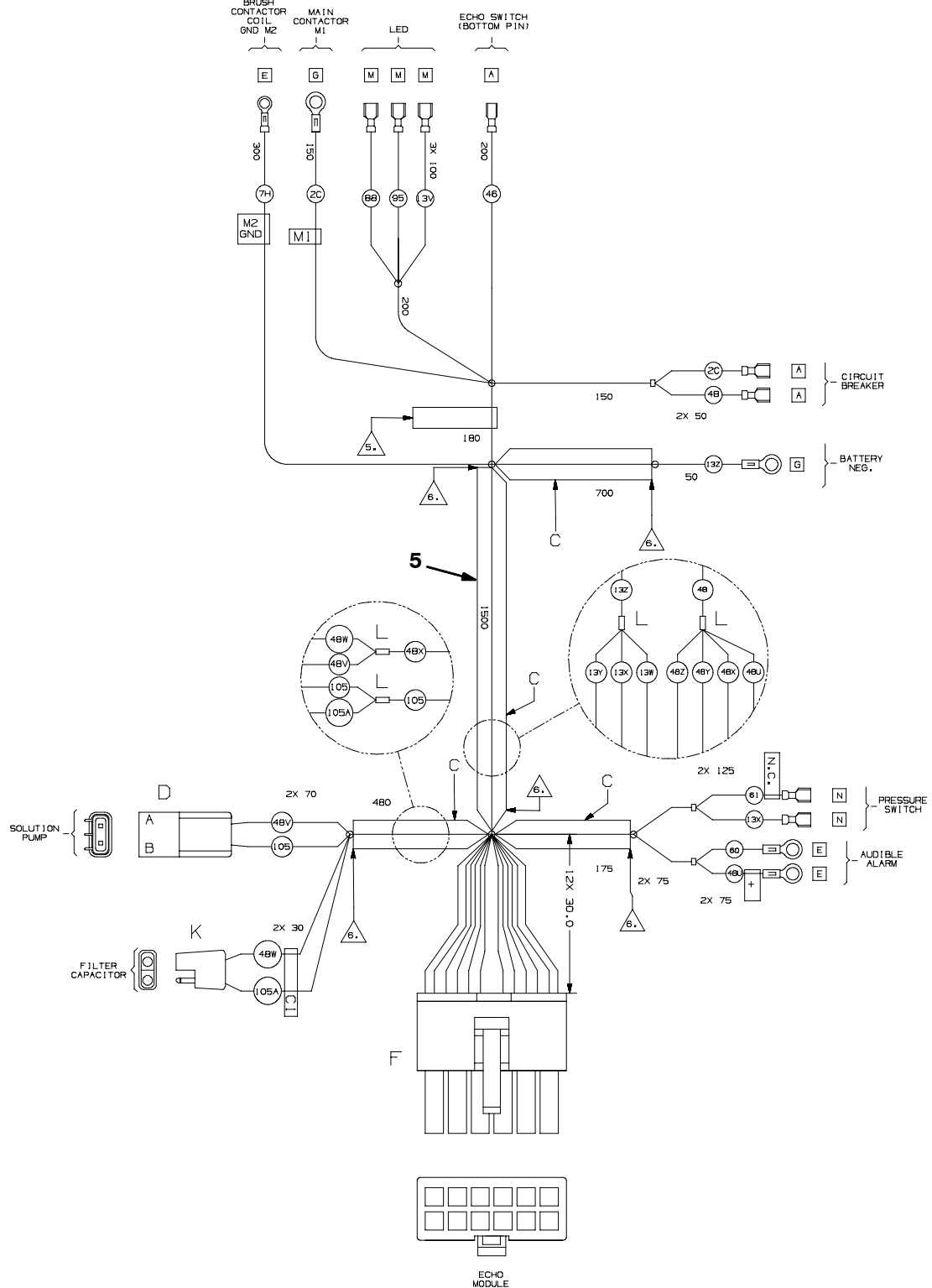


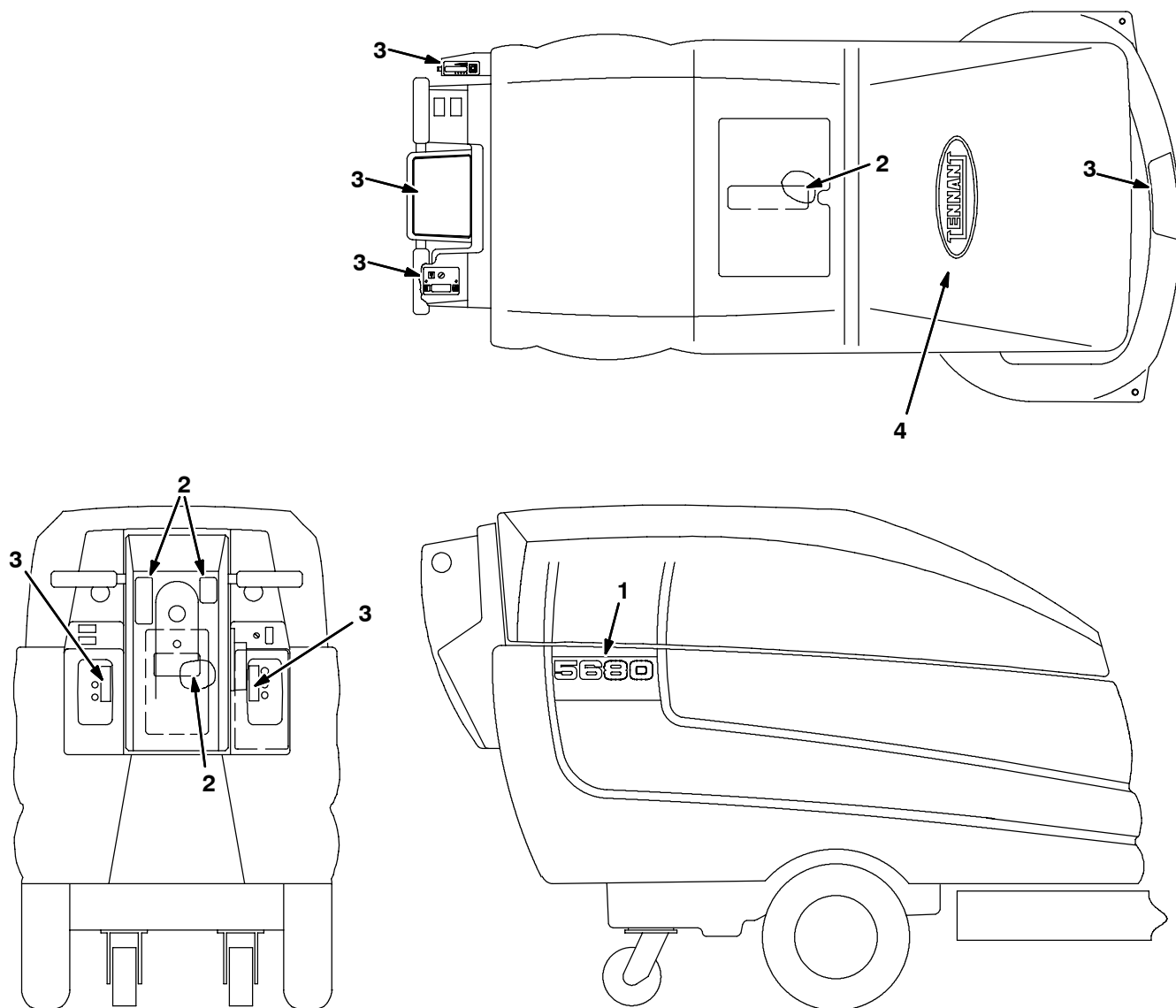


Fig. 25 - Electrical Wire Harness Group



| Ref. | Part No. | Serial Number        | Description                             | Qty. |
|------|----------|----------------------|---|------|
| 1    | 374221   | (10000000- )         | Harness, Main, [5680]                   | 1    |
| 2    | 222290   | (10000000- )         | Diode, Elec, Plug                       | 5    |
| 3    | 222290   | (10000000-10361689 ) | Diode, Elec, Plug [FaST Only]           | 1    |
|      | 222666   | (10000000- )         | Clamp, Cable, Ribbon, 1.25w 0.25h Plstc | 2    |
| 4    | 1043311  | (10361690- )         | Harness, Jumper, Pump, FaST, 36vdc      | 1    |
| 5    | 1044831  | (10403557- )         | Harness Assy, Wire, ec-H2O [5680 Na]    | 1    |

**Fig. 26 - Label Group**

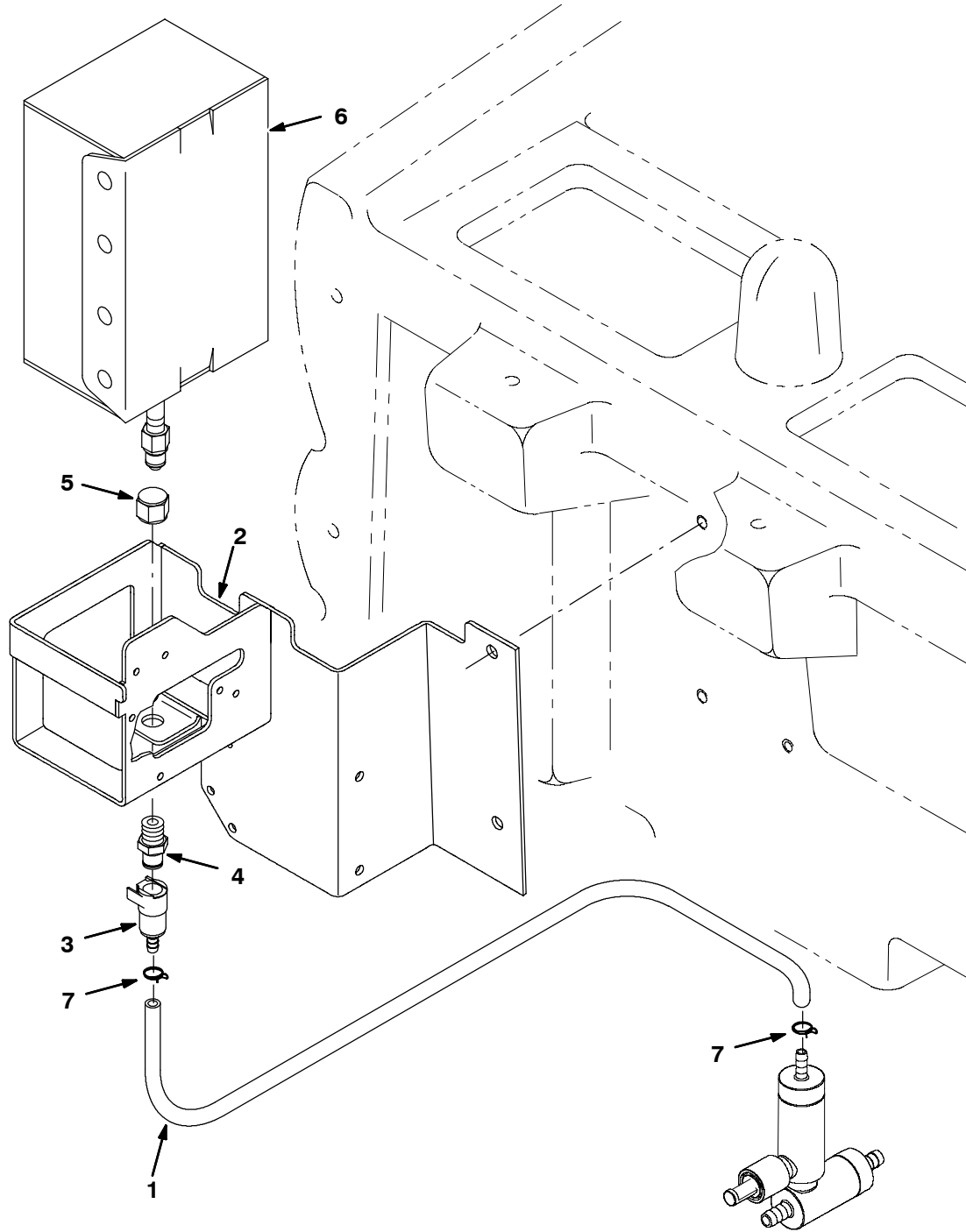


| Ref. | Part No. | Serial Number | Description                                    | Qty. |
|------|----------|---------------|--|------|
| 1    | 397758   | (10000000-    | ) Label, Numerals, [5680]                      | 2    |
| 2    | 222578   | (10000000-    | ) Label Set, Info/Hzrd [5680/5700]             | 1    |
| 2    | 222579   | (10000000-    | ) Label Set, Info/Hzrd, Tj [5680/5700] (Japan) | 1    |
| 3    | 1044942  | (10000000-    | ) Label Set, Opertnl [5680]                    | 1    |
| 4    | 1047741  | (10000000-    | ) Label, Logo, 264Mml, [Tennant]               | 1    |
| N/S  | 374000   | (10000000-    | ) Label [Caution, Battery] Tj (Japan)          | 6    |

# SECTION 3

| Contents  | Page |
|---|------|
| Fig. 1 - FaST Detergent Group<br>(S/N 10361690- )   | 3-2  |
| Fig. 2 - FaST Air Pump and Detergent Group<br>(S/N 10000000-10361689)                           | 3-4  |
| Fig. 3 - FaST Solution Supply Group,<br>Disk Scrub Head<br>(S/N 10361690- )                     | 3-6  |
| Fig. 4 - FaST Solution Supply Group,<br>Disk Scrub Head<br>(S/N 10000000-10361689)              | 3-8  |
| Fig. 5 - FaST Solution Supply Group,<br>Model 700C / 800C Scrub Head<br>(S/N 10361690- )        | 3-10 |
| Fig. 6 - FaST Solution Supply Group,<br>Model 700C / 800C Scrub Head<br>(S/N 10000000-10361689) | 3-12 |
| Fig. 7 - FaST Foam Filter Group<br>(S/N 10000000-10361689)                                      | 3-14 |
| Fig. 8 - FaST Solution Pump Group<br>(S/N 10361690- )   | 3-16 |
| Fig. 9 - FaST Solution Pump Group<br>(S/N 10000000-10361689)                                    | 3-18 |
| Fig. 10 - FaST Operator Console Group   | 3-20 |
| Fig. 11 - FaST Label Group  | 3-21 |
| Fig. 12 - ec-H2O Solution Pump Group  | 3-22 |
| Fig. 13 - ec-H2O Solution Supply Group,<br>Disk Scrub Head                                      | 3-24 |
| Fig. 14 - ec-H2O Solution Supply Group,<br>Model 700C / 800C / 900C Scrub Head                  | 3-26 |
| Fig. 15 - ec-H2O Operator Console Group   | 3-28 |
| Fig. 16 - ec-H2O Label Group  | 3-29 |
| Fig. 17 - Scrub Head Drive Group,<br>Model 700C, 700 mm (28 in)                                 | 3-30 |
| Fig. 18 - Scrub Head Frame Group,<br>Model 700C, 700 mm (28 in)                                 | 3-32 |
| Fig. 19 - Scrub Head Drive Group,<br>Model 800C, 800 mm (32 in)                                 | 3-34 |
| Fig. 20 - Scrub Head Frame Group,<br>Model 800C, 800 mm (32 in)                                 | 3-36 |
| Fig. 21 - Scrub Head Drive Group,<br>Model 900C, 900 mm (36 in)                                 | 3-38 |
| Fig. 22 - Scrub Head Frame Group,<br>Model 900C, 900 mm (36 in)                                 | 3-40 |
| Fig. 23 - Battery Kit, Heavy Duty Wet, 335AH  | 3-42 |
| Fig. 24 - Battery Charger Group   | 3-43 |
| Fig. 25 - Transport Group   | 3-44 |
| Fig. 26 - Documentation Group   | 3-45 |

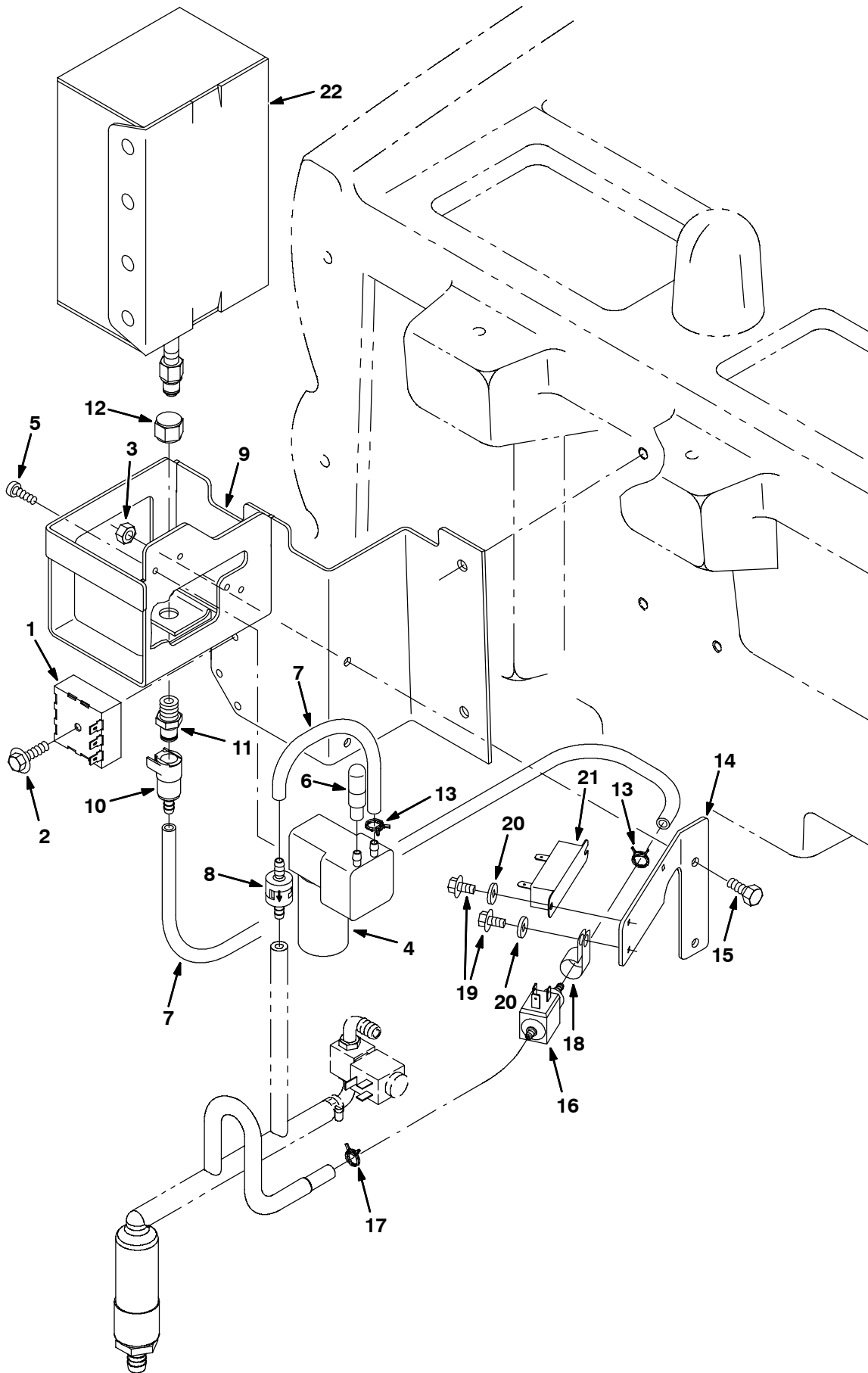
Fig. 1 - FaST Detergent Group (S/N 10361690- )



**Fig. 1 - FaST Detergent Group (S/N 10361690- )**

| <b>Ref.</b> | <b>Part No.</b> | <b>Serial Number</b> | <b>Description</b>                     | <b>Qty.</b> |
|-------------|-----------------|----------------------|--|-------------|
| 1           | 613947          | (10361690-           | ) Hose, Pvc, Clr, 0.25id 0.38od 026.0l | 1           |
| 2           | 1008349         | (10000000-           | ) Brkt Wldt, Box, Dtrgt                | 1           |
| 3           | 1002898         | (10000000-           | ) Coupling, Fem, W/ Valve, .25 Brb     | 1           |
| 4           | 1002899         | (10000000-           | ) Coupling, Mal, .25 Npt               | 1           |
| 5           | 1005435         | (10000000-           | ) Fitting, Plstc, Piep, Cap, Pf04      | 1           |
| 6           | 1017015         | (10000000-           | ) Detergent Pkg, 2 Liter, Sgl, 365     | -           |
| 6           | 1017022         | (10000000-           | ) Detergent Pkg, 2 Liter, Sgl, 665     | -           |
| 6           | 9002021         | (10000000-           | ) Detergent, 2 Liter [Fast 965]        | -           |
| 7           | 613735          | (10000000-           | ) Clamp, Hose, Wir, .40 - .42, Yel     | 2           |

Fig. 2 - FaST Air Pump and Detergent Group (S/N 1000000-10361689)



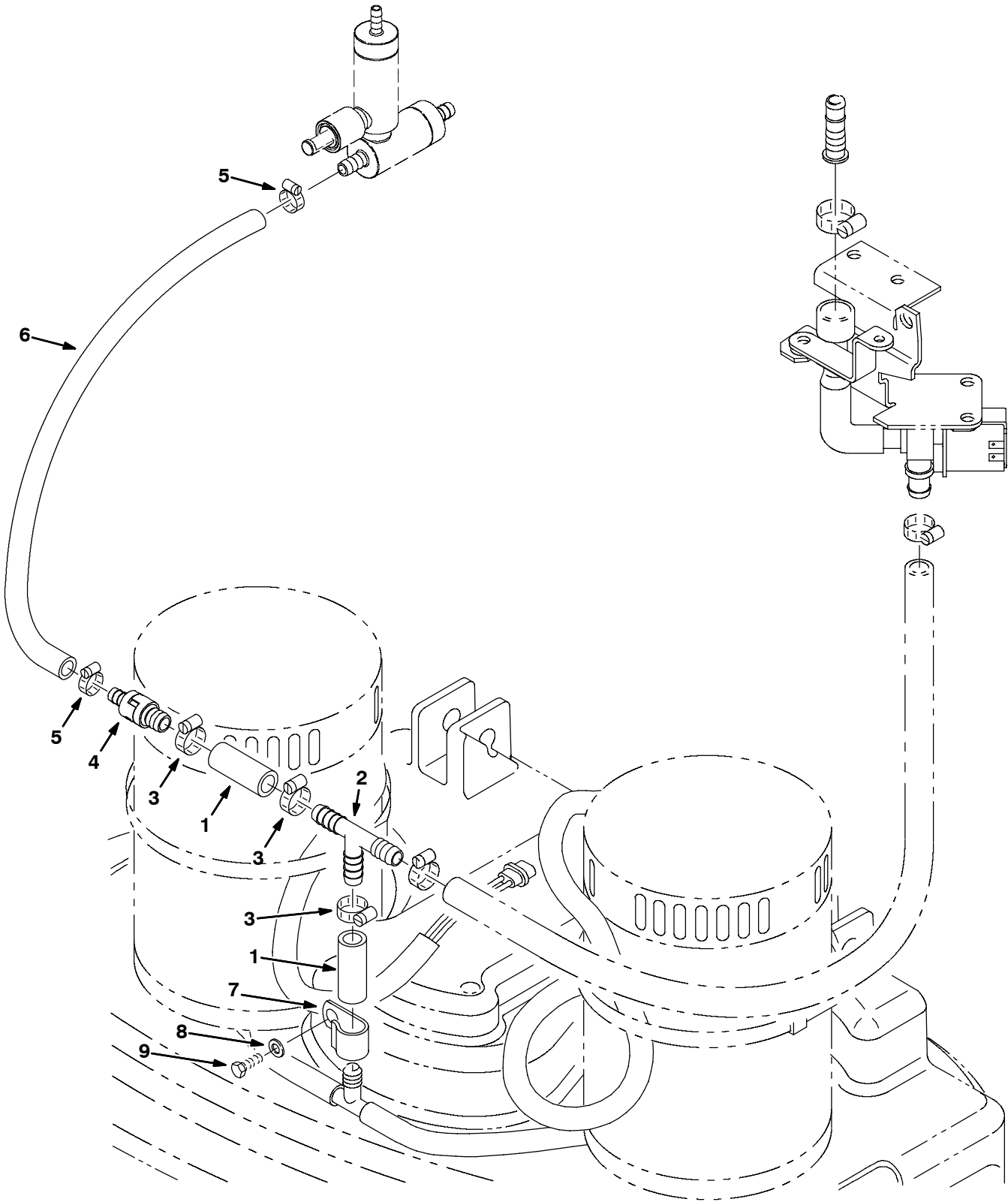
**Fig. 2 - FaST Air Pump and Detergent Group (S/N 10000000-10361689)**

| Ref. | Part No. | Serial Number | Description   | Qty. |
|------|----------|---------------|---|------|
|      | 1        | 1028487       | (10000000-10361689 ) Timer, 36vdc, Detgt [.35on/1.38off]    | 1    |
|      | 2        | 222159        | (10000000-10361689 ) Screw, Hex, M6 X 1.0 X 25, Fmg         | 1    |
|      | 3        | 08708         | (10000000-10361689 ) Nut, Hex, Lock, M06 X 1.0, NI          | 2    |
| ▽    | 4        | 1008211       | (10000000-10361689 ) Pump, Air, Ele, 36vdc                  | 1    |
| ▲    |          | 391449        | (10000000-10361689 ) Kit, Repair, Diaphragm, Air Compressor | 1    |
|      | 5        | 49162         | (10000000-10361689 ) Screw, Pan, #08-10 X 0.50, F/Plstc     | 2    |
|      | 6        | 1005255       | (10000000-10361689 ) Filter Assy, Air, Molded Ure           | 1    |
|      | 7        | 1014985       | (10000000-10361689 ) Hose, Afrmkt, Pvc, Clr 0.25id 8ft      | 1    |
|      | 8        | 1013902       | (10000000-10361689 ) Valve, Check, 2 Gpm 2 Psi Bm04/Bm04    | 1    |
|      | 9        | 1008349       | (10000000- ) Brkt Wldt, Box, Dtrgt                          | 1    |
|      | 10       | 1002898       | (10000000- ) Coupling, Fem, W/ Valve, .25 Brb               | 1    |
|      | 11       | 1002899       | (10000000- ) Coupling, Mal, .25 Npt                         | 1    |
|      | 12       | 1005435       | (10000000- ) Fitting, Plstc, Piep, Cap, Pf04                | 1    |
|      | 13       | 613735        | (10000000-10361689 ) Clamp, Hose, Wire, .40 - .42           | 2    |
|      | 14       | 1015042       | (10000000-10361689 ) Plate, Mtg, Detgt Pump                 | 1    |
|      | 15       | 08716         | (10000000-10361689 ) Screw, Hex, M06 X 1.0 X 20, Ss         | 2    |
|      | 16       | 1005413       | (10000000-10361689 ) Pump, Detgt, [560s]                    | 1    |
|      | 17       | 1031375       | (10000000-10361689 ) Clamp, Hose, Wir, .29 - .31 [Dbl Wire] | 1    |
|      | 18       | 67767         | (10000000-10361689 ) Clamp, Cable, Stl, 0.69d X 0.62w, 1h   | 1    |
|      | 19       | 16944         | (10000000-10361689 ) Screw, Hex, M4 X 0.7 X 10, Fmg         | 3    |
|      | 20       | 19065         | (10000000-10361689 ) Washer, Flat, #08                      | 3    |
|      | 21       | 1020542       | (10000000-10361689 ) Resistor, 011.00ohm, 40watt            | 1    |
|      | 22       | 1017015       | (10000000- ) Detergent Pkg, 2 Liter, Sgl, 365               | -    |
|      | 22       | 1017022       | (10000000- ) Detergent Pkg, 2 Liter, Sgl, 665               | -    |
|      | 22       | 9002021       | (10000000- ) Detergent, 2 Liter [Fast 965]                  | -    |

▽ - Identifies an assembly

▲ - Identifies parts included in assembly

Fig. 3 - FaST Solution Supply Group, Disk Scrub Head (S/N 10361690- )

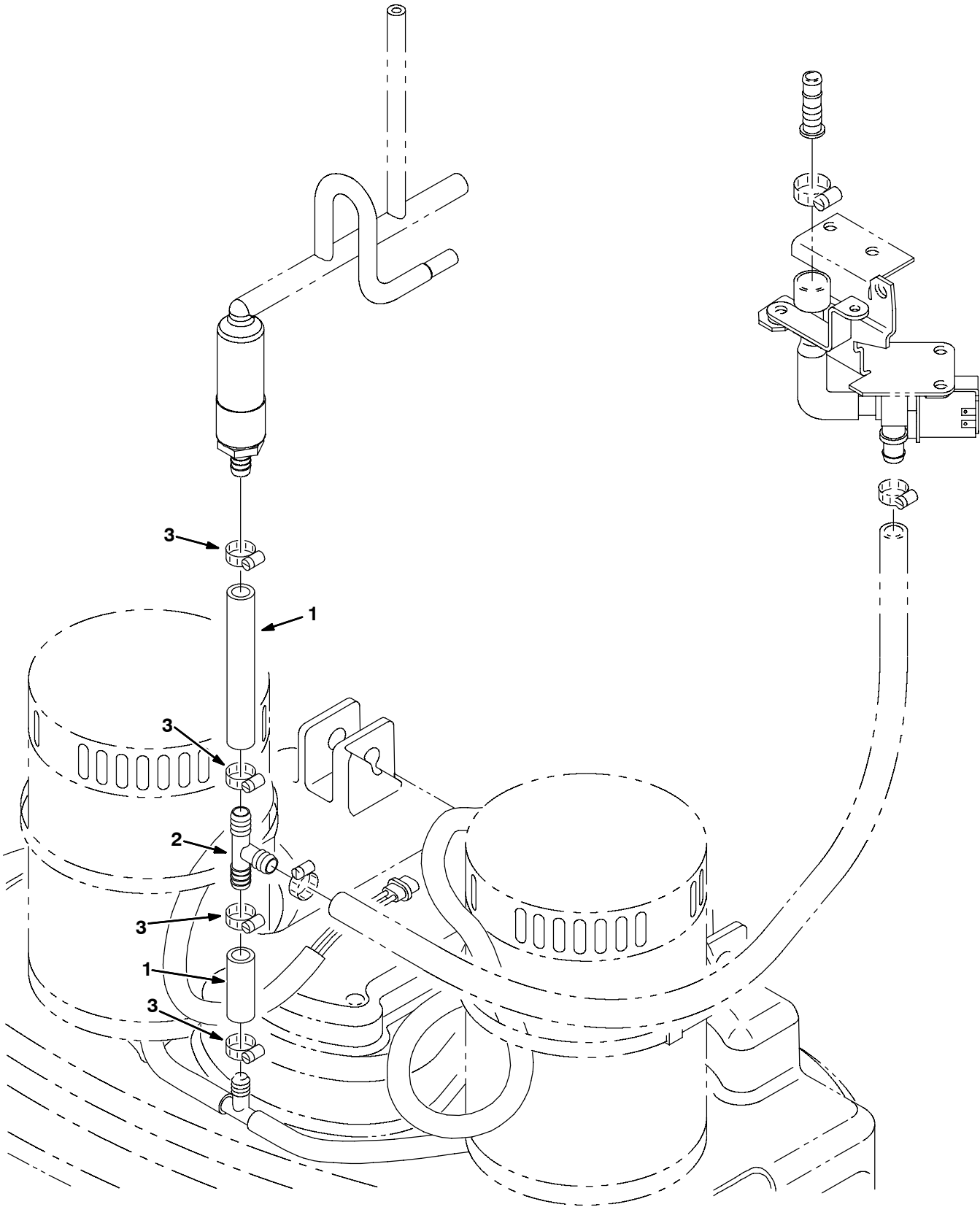




**Fig. 3 - FaST Solution Supply Group, Disk Scrub Head (S/N 10361690- )**

| <b>Ref.</b> | <b>Part No.</b> | <b>Serial Number</b> | <b>Description</b>                         | <b>Qty.</b> |
|-------------|-----------------|----------------------|--|-------------|
| 1           | 392256          | (10361690-           | ) Hose, Pvc, Brd, 0.50id 0.73od 002.0l,Clr | 2           |
| 2           | 63245-1         | (10000000-           | ) Fitting, Plstc, Tee, Bm08/Bm08/Bm08      | 1           |
| 3           | 54333           | (10000000-           | ) Clamp, Hose, Wormdrive, 0.31-0.88D       | 3           |
| 4           | 1043317         | (10361690-           | ) Valve, Check, 0015Psi Bm06/Bm08          | 1           |
| 5           | 43844           | (10361690-           | ) Clamp, Hose, Wormdrive, 0.25-0.62d, .31w | 2           |
| 6           | 606317          | (10361690-           | ) Hose, Pvc, Brd, 0.38id 0.60od 019.5l,Clr | 1           |
| 7           | 30407           | (10361690-           | ) Clip, Keeper, Open                       | 1           |
| 8           | 32483           | (10361690-           | ) Washer, Flat, 0.25, Sae                  | 1           |
| 9           | 55845           | (10361690-           | ) Screw, Hex, M5 X 0.80 X 16, Fmg          | 1           |

**Fig. 4 - FaST Solution Supply Group, Disk Scrub Head (S/N 10000000-10361689)**

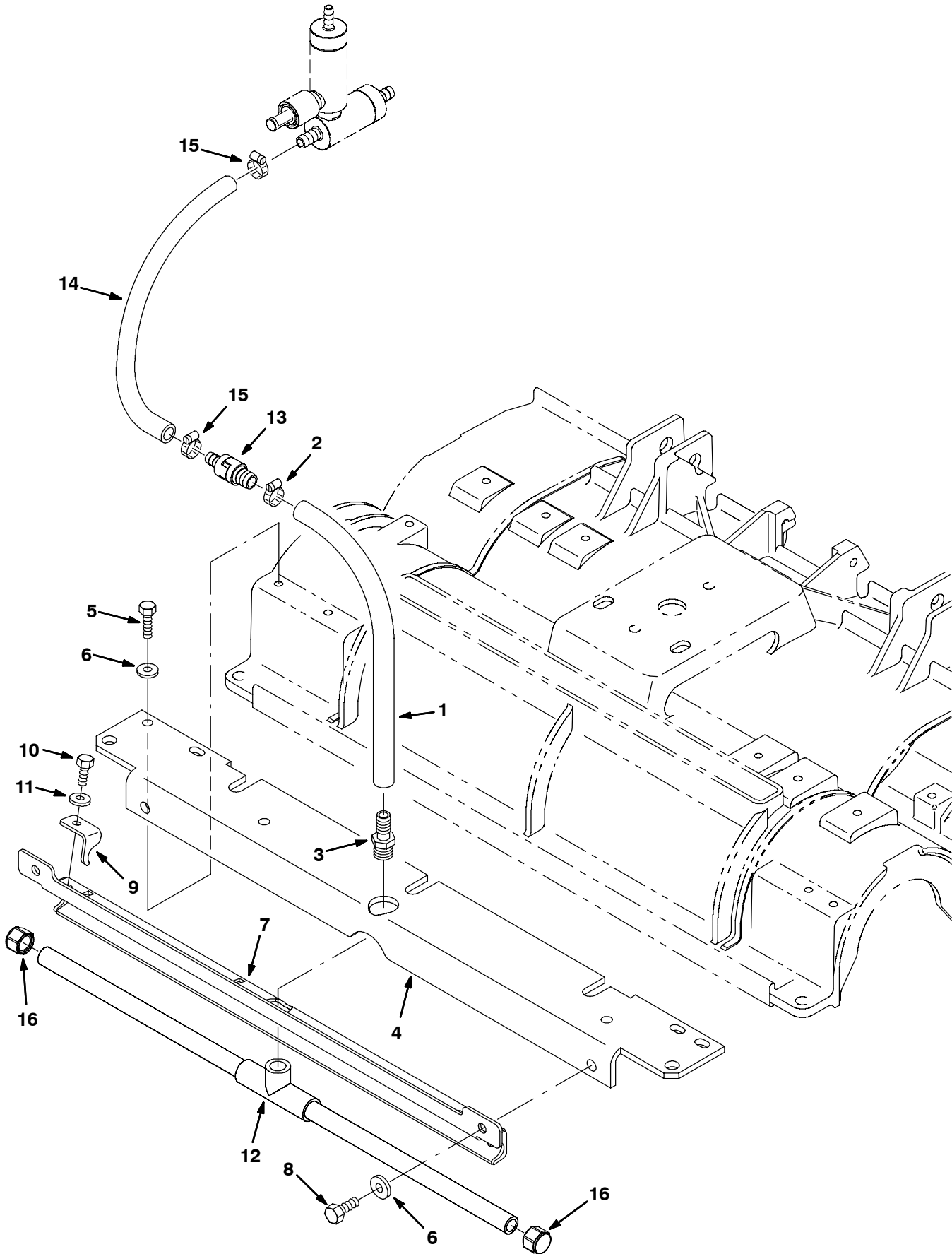


**Fig. 4 - FaST Solution Supply Group, Disk Scrub Head (S/N 10000000-10361689)**

| <b>Ref.</b> | <b>Part No.</b> | <b>Serial Number</b> | <b>Description</b>                   | <b>Qty.</b> |
|-------------|-----------------|----------------------|--------------------------------------|-------------|
| 1           | 1006401         | (10000000-10361689 ) | Hose, Afmkt, Replmt, Brd, 0.50ld 3Ft | 1           |
| 2           | 63245-1         | (10000000- )         | Fitting, Plstc, Tee, Bm08/Bm08/Bm08  | 1           |
| 3           | 54333           | (10000000- )         | Clamp, Hose, Wormdrive, 0.31-0.88D   | 4           |

# OPTIONS

Fig. 5 - FaST Solution Supply Group, Model 700C / 800C Scrub Head (S/N 10361690- )

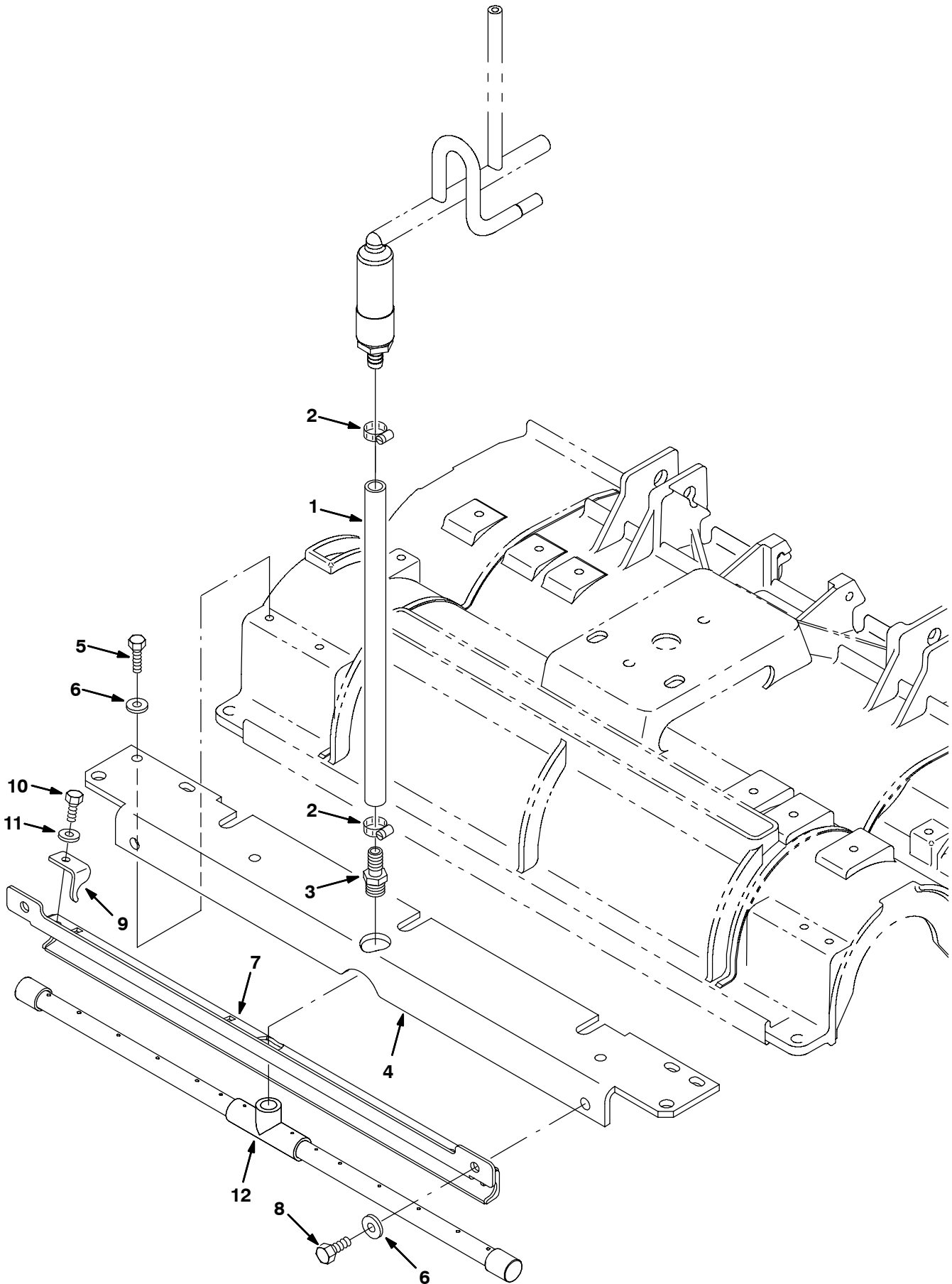


**Fig. 5 - FaST Solution Supply Group, Model 700C / 800C Scrub Head (S/N 10361690- )**

| <b>Ref.</b> | <b>Part No.</b> | <b>Serial Number</b> | <b>Description</b>                         | <b>Qty.</b> |
|-------------|-----------------|----------------------|--|-------------|
| 1           | 1011403         | (10361690-           | ) Hose, Afmkt, Pvc, Brd, 0.50id, 01ft, Clr | 1           |
| 2           | 54333           | (10361690-           | ) Clamp, Hose, Wormdrive, 0.31-0.88d, .31w | 1           |
| 3           | 64743           | (10000000-           | ) Fitting, Plstc, Str, Bm08/Pm06           | 1           |
| 4           | 1046020         | (10000000-           | ) Angle, Head, Cylrcl, 700mm               | 1           |
| 4           | 1046023         | (10000000-           | ) Angle, Head, Cylrcl, 800mm               | 1           |
| 5           | 76099           | (10000000-           | ) Screw, Hex, M8 X 1.25 X 25, Fmg          | 4           |
| 6           | 01685           | (10000000-           | ) Washer, Flat, 0.31 Ss                    | 6           |
| 7           | 1014993         | (10000000-           | ) Bracket Wldt, Bar, Spray, 700mm          | 1           |
| 7           | 1014957         | (10000000-           | ) Bracket Wldt, Bar, Spray, 800mm          | 1           |
| 8           | 12273           | (10000000-           | ) Screw, Hex, M8 X 1.25 X 20, Ss, NI       | 2           |
| 9           | 1014673         | (10000000-           | ) Bracket, Bar, Spray                      | 3           |
| 10          | 11635           | (10000000-           | ) Screw, Hex, M6 X 1.0 X 12, Ss, NI        | 3           |
| 11          | 01684           | (10000000-           | ) Washer, Flat, 0.25 Ss                    | 3           |
| 12          | 1046049         | (10000000-           | ) Tube Assy, Bar, Spray (700mm)            | 1           |
| 12          | 1025276         | (10000000-           | ) Tube Assy, Bar, Spray [85cm] (800mm)     | 1           |
| 13          | 1043317         | (10361690-           | ) Valve, Check, 0015Psi Bm06/Bm08          | 1           |
| 14          | 606317          | (10361690-           | ) Hose, Pvc, Brd, 0.38id 0.60od 019.5l,Clr | 1           |
| 15          | 43844           | (10361690-           | ) Clamp, Hose, Wormdrive, 0.25-0.62d, .31w | 2           |
| 16          | 1025580         | (10000000-           | ) Fitting, Pipe, Cap, P06, Nyl             | 2           |

# OPTIONS

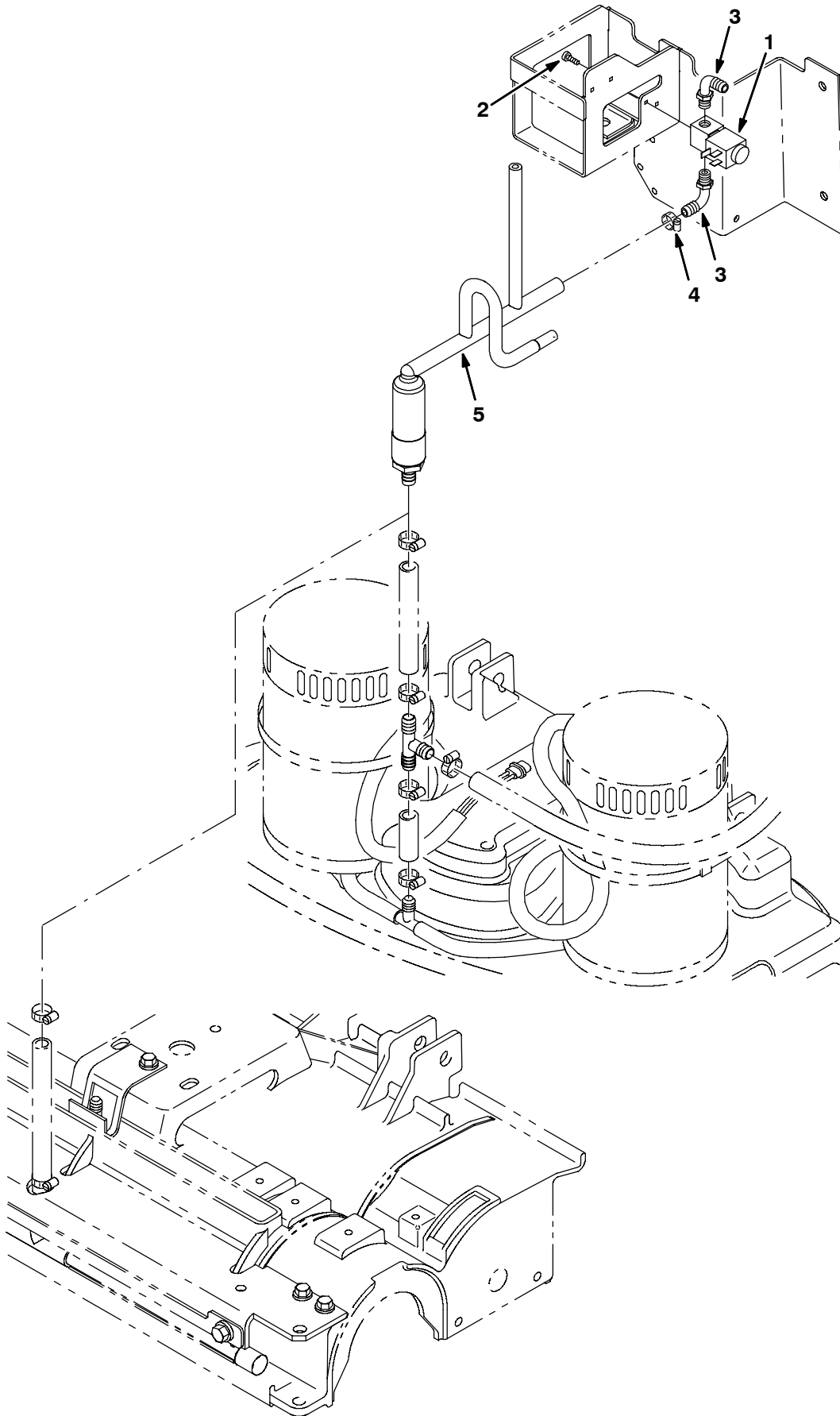
Fig. 6 - FaST Solution Supply Group, Model 700C / 800C Scrub Head (S/N 10000000-10361689)



**Fig. 6 - FaST Solution Supply Group, Model 700C / 800C Scrub Head (S/N 10000000-10361689)**

| <b>Ref.</b> | <b>Part No.</b> | <b>Serial Number</b> | <b>Description</b>                       | <b>Qty.</b> |
|-------------|-----------------|----------------------|--|-------------|
| 1           | 1006401         | (10000000-10361689 ) | Hose, Afmkt, Replmt, Brd, 0.50ld 3Ft     | 1           |
| 2           | 54333           | (10000000- )         | Clamp, Hose, Wormdrive, 0.31-0.88d, .31w | 2           |
| 3           | 64743           | (10000000- )         | Fitting, Plstc, Str, Bm08/Pm06           | 1           |
| 4           | 1019314         | (10000000- )         | Angle, Head, Cyl, 700mm                  | 1           |
| 4           | 1019440         | (10000000- )         | Angle, Head, Cyl, 800mm                  | 1           |
| 5           | 76099           | (10000000- )         | Screw, Hex, M8 X 1.25 X 25, Fmg          | 4           |
| 6           | 01685           | (10000000- )         | Washer, Flat, 0.31 Ss                    | 6           |
| 7           | 1014993         | (10000000- )         | Bracket Wldt, Bar, Spray, 700mm          | 1           |
| 7           | 1014957         | (10000000- )         | Bracket Wldt, Bar, Spray, 800mm          | 1           |
| 8           | 12273           | (10000000- )         | Screw, Hex, M8 X 1.25 X 20, Ss, NI       | 2           |
| 9           | 1014673         | (10000000- )         | Bracket, Bar, Spray                      | 3           |
| 10          | 11635           | (10000000- )         | Screw, Hex, M6 X 1.0 X 12, Ss, NI        | 3           |
| 11          | 01684           | (10000000- )         | Washer, Flat, 0.25 Ss                    | 3           |
| 12          | 1014791         | (10000000- )         | Tube Assy, Bar, Spray 700mm              | 1           |
| 12          | 1013079         | (10000000- )         | Tube Assy, Spray, Cyl, 800mm             | 1           |

Fig. 7 - FaST Foam Filter Group (S/N 1000000-10361689)

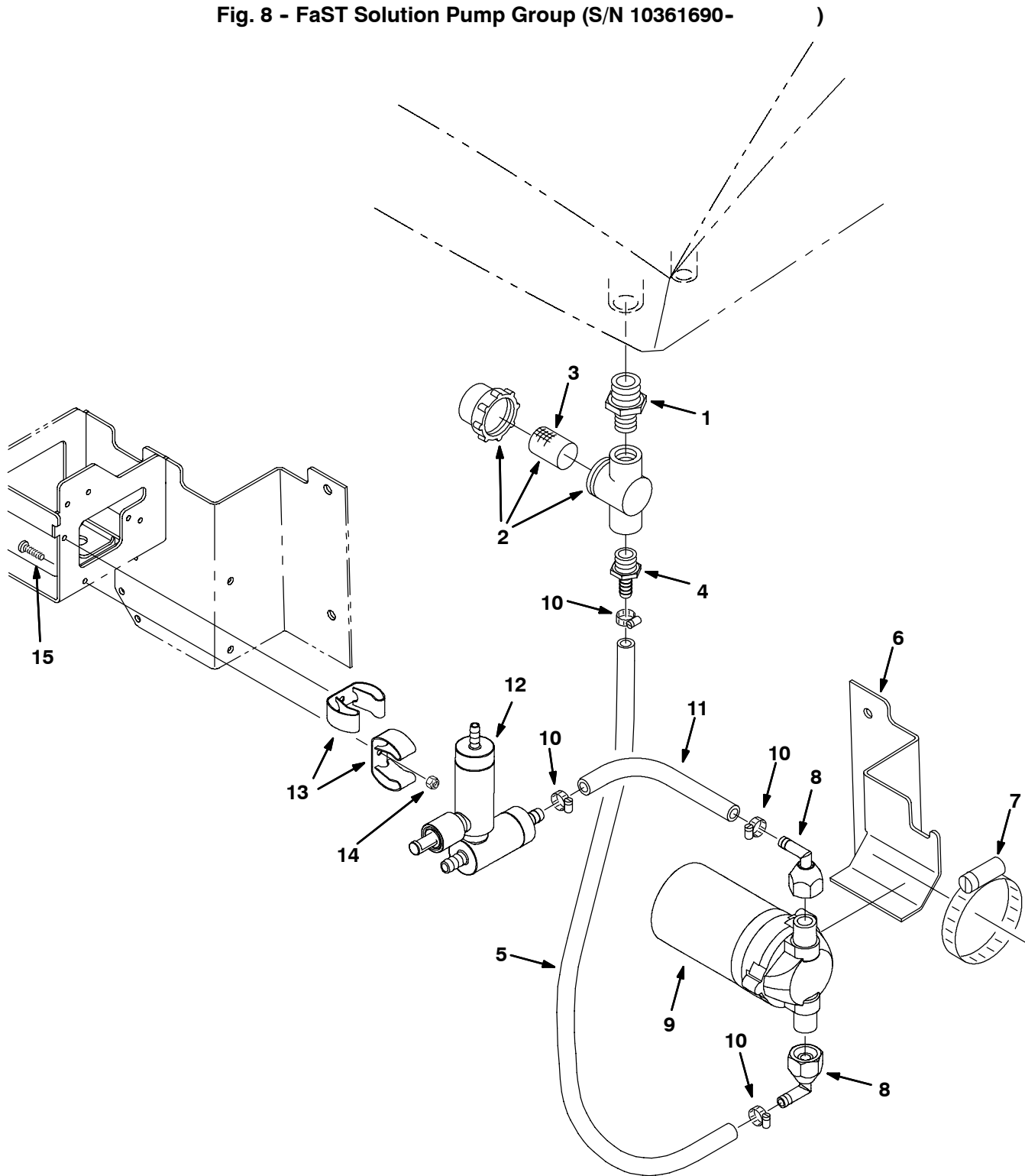




**Fig. 7 - FaST Foam Filter Group (S/N 1000000-10361689)**

| <b>Ref.</b> | <b>Part No.</b> | <b>Serial Number</b> | <b>Description</b>                       | <b>Qty.</b> |
|-------------|-----------------|----------------------|--|-------------|
| 1           | 1028578         | (10000000-10361689 ) | Valve, Water, Solenoid, 36vdc Pf02       | 1           |
| 2           | 49162           | (10000000-10361689 ) | Screw, Pan, #08-10 X 0.50, F/Plstc       | 2           |
| 3           | 1005564         | (10000000-10361689 ) | Fitting, Plstc, E90, Bm06/Pm02, Nyl      | 2           |
| 4           | 43844           | (10000000-10361689 ) | Clamp, Hose, Wormdrive, 0.25-0.62D, .31W | 1           |
| 5           | 1020364         | (10000000-10361689 ) | Manifold                                 | 1           |

Fig. 8 - FaST Solution Pump Group (S/N 10361690- )



**Fig. 8 - FaST Solution Pump Group (S/N 10361690- )**

|   | <b>Ref.</b> | <b>Part No.</b> | <b>Serial Number</b> | <b>Description</b>  | <b>Qty.</b> |
|---|-------------|-----------------|----------------------|---|-------------|
|   | 1           | 1005218         | (10000000-           | ) Fitting, Plstc, Str, Pm08/Pm12                              | 1           |
| ∇ | 2           | 1005388         | (10000000-           | ) Filter, Inline, Pf08/Pf08, 80 Mesh                          | 1           |
| ▲ | 3           | 1005304         | (10000000-           | ) Screen, Filter, 80 Mesh                                     | 1           |
|   | 4           | 79273           | (10000000-           | ) Fitting, Plstc, Str, Bm06/Pm08                              | 1           |
|   | 5           | 606325          | (10361690-           | ) Hose, Pvc, Brd, 0.38id 0.60od 024.0l,Clr                    | 1           |
|   | 6           | 1002603         | (10000000-           | ) Brkt, Pump, Solution  | 1           |
|   | 7           | 43555           | (10000000-           | ) Clamp, Hose, Wormdrive, 1.62-3.50d                          | 1           |
|   | 8           | 611010          | (10361690-           | ) Fitting, Plstc, E90, Bm06/Pf08, Swivel                      | 2           |
|   | 9           | 1043318         | (10361690-           | ) Pump, Soltn, Ele, 36Vdc, 60Psi [Deutsch]                    | 1           |
|   | 10          | 43844           | (10000000-           | ) Clamp, Hose, Wormdrive, 0.25-0.62d, .31w                    | 4           |
|   | 11          | 606317          | (10361690-           | ) Hose, Pvc, Brd, 0.38id 0.60od 019.5l,Clr                    | 1           |
|   | 12          | 9004079         | (10361690-           | ) FaST Kit, Injector [5680/5700, FaST II+]<br>(See Breakdown) | 1           |
|   | 13          | 573073          | (10361690-           | ) Clip, Grip, Hose, 1.00-1.38, Zn                             | 2           |
|   | 14          | 33932           | (10361690-           | ) Nut, Hex, Lock, M4 X 0.70, NI, Ss                           | 2           |
|   | 15          | 49697           | (10361690-           | ) Screw, Pan, Phl, M4 X 0.70 X 10, Ss                         | 2           |

∇ - Identifies an assembly

▲ - Identifies parts included in assembly

Fig. 9 - FaST Solution Pump Group (S/N 1000000-10361689)

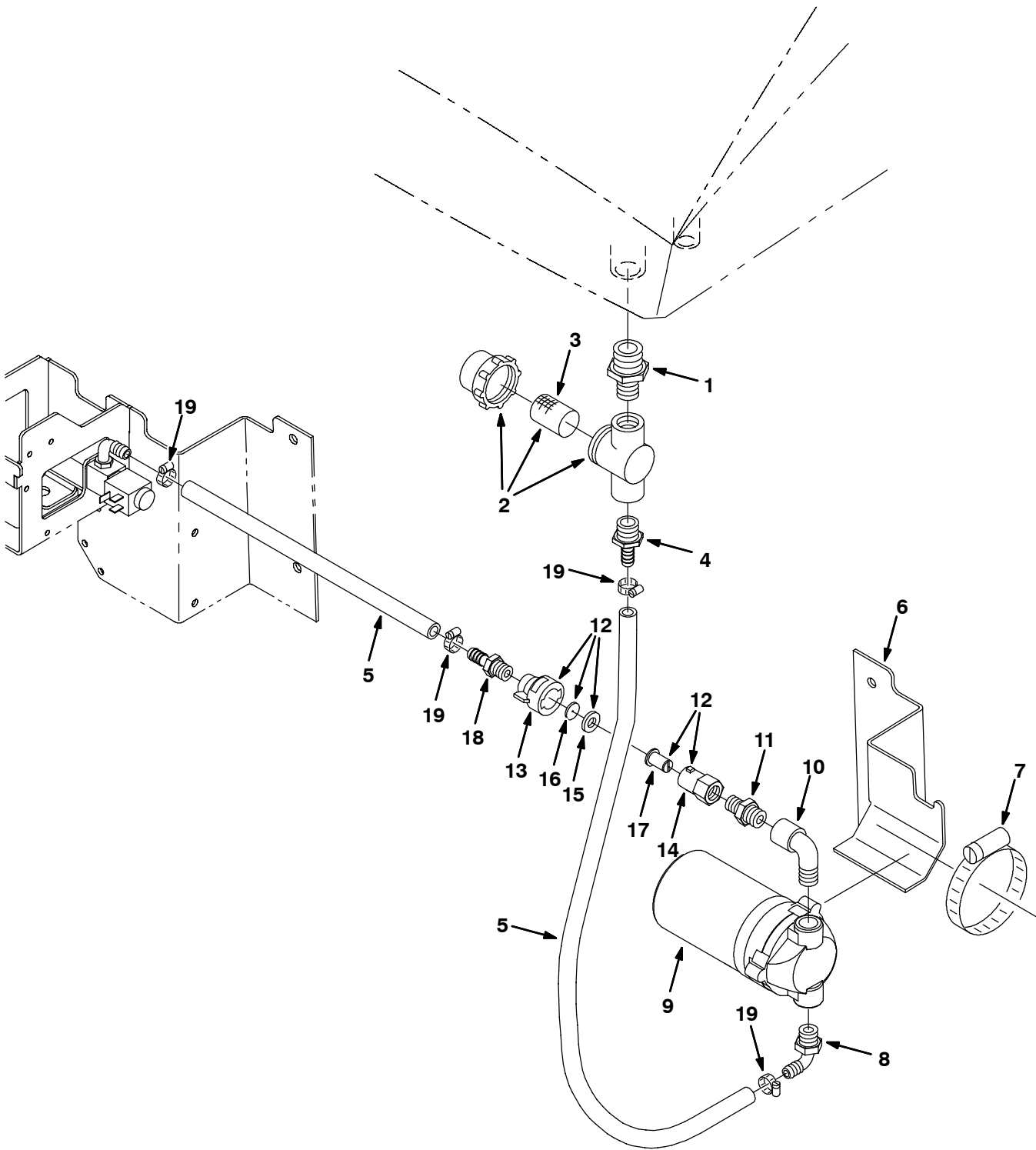


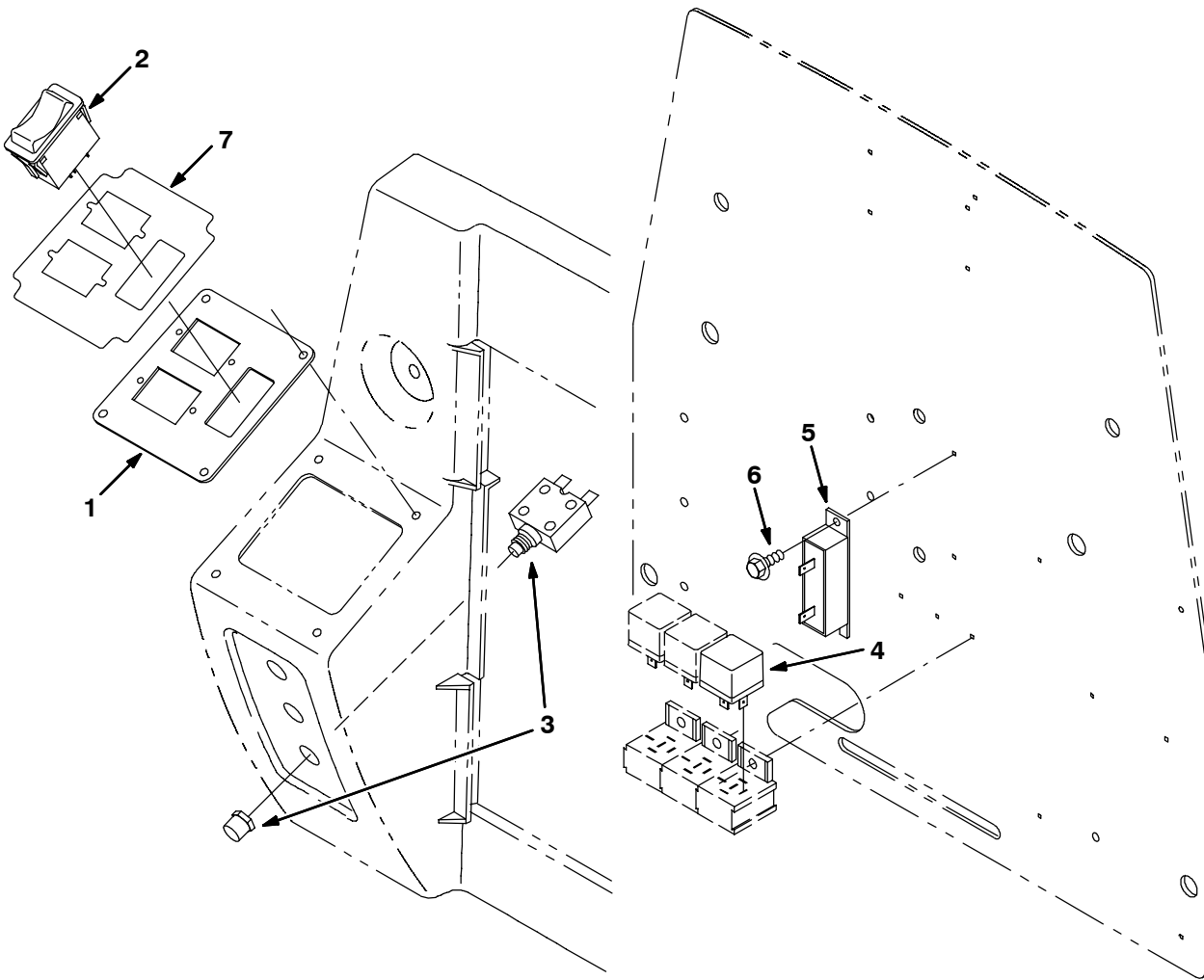
Fig. 9 - FaST Solution Pump Group (S/N 10000000-10361689)

|   | Ref. | Part No. | Serial Number      | Description                                | Qty. |
|---|------|----------|--------------------|--|------|
|   | 1    | 1005218  | (10000000-         | ) Fitting, Plstc, Str, Pm08/Pm12           | 1    |
| ▽ | 2    | 1005388  | (10000000-         | ) Filter, Inline, Pf08/Pf08, 80 Mesh       | 1    |
| ▲ | 3    | 1005304  | (10000000-         | ) Screen, Filter, 80 Mesh                  | 1    |
|   | 4    | 79273    | (10000000-         | ) Fitting, Plstc, Str, Bm06/Pm08           | 1    |
|   | 5    | 1006400  | (10000000-10361689 | ) Hose, Afmkt, Pvc, Brd, 0.38id, 03ft, Clr | 1    |
|   | 6    | 1002603  | (10000000-         | ) Brkt, Pump, Solution                     | 1    |
|   | 7    | 43555    | (10000000-         | ) Clamp, Hose, Wormdrive, 1.62-3.50d       | 1    |
|   | 8    | 1005630  | (10000000-         | ) Fitting, Plstc, E90, Bm06/Pm06, Nyl      | 1    |
| ▽ | 9    | 1005866  | (10000000-10361689 | ) Pump, Solution, Ele, 36vdc               | 1    |
| ▲ |      | 391433   | (10000000-10361689 | ) Head, Pump, Kit                          | 1    |
|   | 10   | 1005318  | (10000000-10361689 | ) Fitting, Plstc, E90, Pf06/Pm06, Nyl      | 1    |
|   | 11   | 1005219  | (10000000-10361689 | ) Fitting, Plstc, Str, Pm04/Pm06           | 1    |
| ▽ | 12   | 1005522  | (10000000-10361689 | ) Fitting, Plstc, Cap Assy, 0.040b, Pf04   | 1    |
| ▲ | 13   | 1005506  | (10000000-10361689 | ) Fitting, Plstc, Cap, Spray, Pf04         | 1    |
| ▲ | 14   | 1005507  | (10000000-10361689 | ) Fitting, Plstc, Body, Spray, Pf04        | 1    |
| ▲ | 15   | 1005508  | (10000000-10361689 | ) Washer, 0.34b 0.75d 0.12, Epdm           | 1    |
| ▲ | 16   | 1005510  | (10000000-10361689 | ) Plate, Orifice, 0.040id                  | 1    |
| ▲ | 17   | 1006447  | (10000000-10361689 | ) Screen, 50 Mesh, Ss                      | 1    |
|   | 18   | 49186    | (10000000-10361689 | ) Fitting, Plstc, Str, Bm06/Pm04           | 1    |
|   | 19   | 43844    | (10000000-         | ) Clamp, Hose, Wormdrive, 0.25-0.62d       | 4    |

▽ - Identifies an assembly

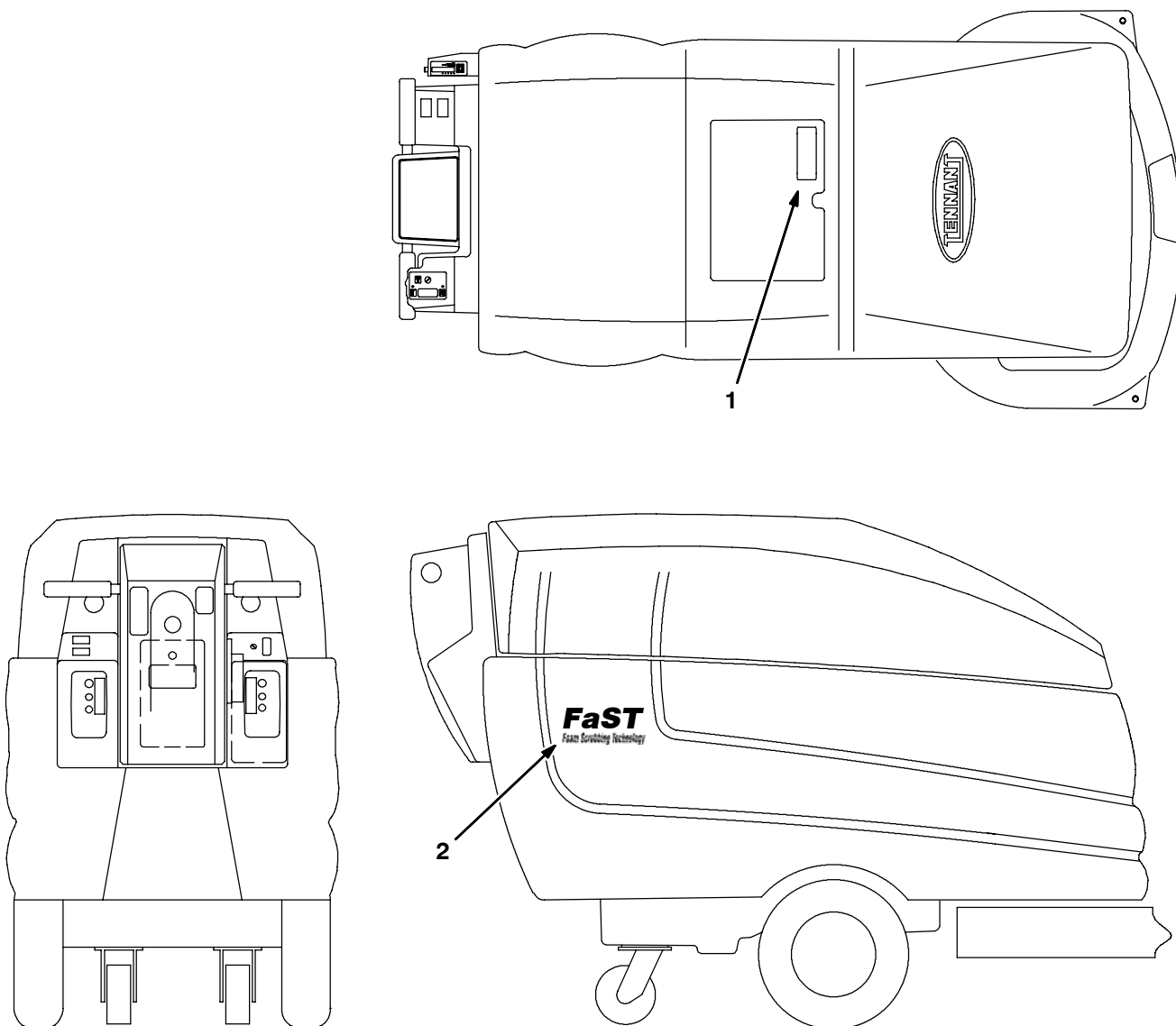
▲ - Identifies parts included in assembly

**Fig. 10 - FaST Operator Console Group**



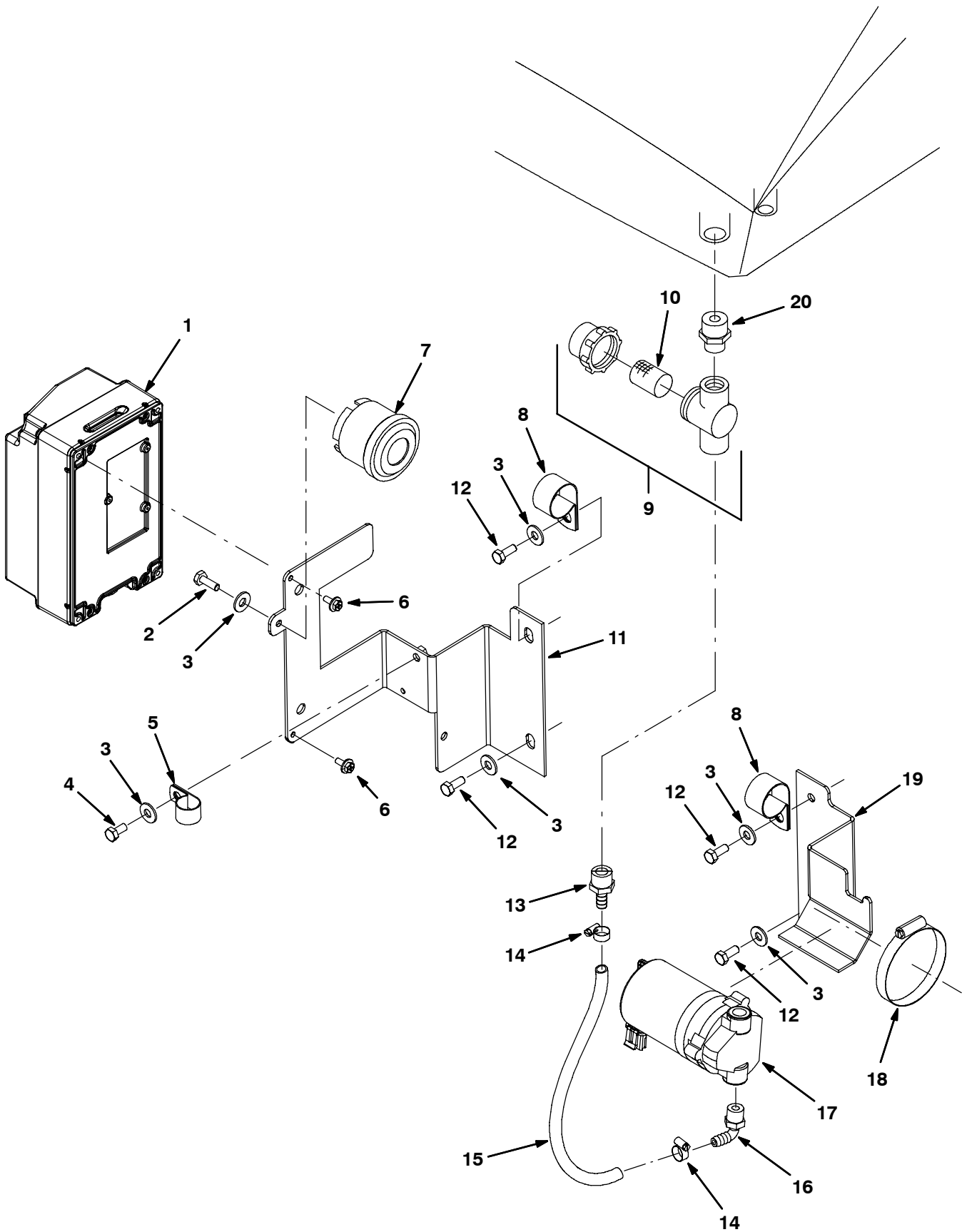
| Ref. | Part No. | Serial Number        | Description                            | Qty. |
|------|----------|----------------------|--|------|
| 1    | 1002326  | (10000000- )         | Plate, Ele, Cover                      | 1    |
| 2    | 397889   | (10000000- )         | Switch, Rocker, 36vdc 05a Dpst On/N/On | 1    |
| 3    | 383721   | (10000000- )         | Circuitbreaker, 10.0a                  | 1    |
| 4    | 398526   | (10000000- )         | Relay, 36vdc, 05a, Spdt N/O            | 1    |
| 5    | 71539    | (10000000-10361689 ) | Resistor, 022.00ohm, 40watt            | 1    |
| 6    | 16944    | (10000000-10361689 ) | Screw, Hex, M04 X 0.7 X 10, Fmg        | 2    |
| 7    | 1005425  | (10000000- )         | Label Set, Fast [5680]                 | 1    |

Fig. 11 - FaST Label Group



| Ref. | Part No. | Serial Number | Description              | Qty. |
|------|----------|---------------|--------------------------|------|
| 1    | 391451   | (10000000-    | ) Label, Attention, Fast | 1    |
| 2    | 1005416  | (10000000-    | ) Label, Fast [5680]     | 2    |

Fig. 12 - *ec-H2O* Solution Pump Group





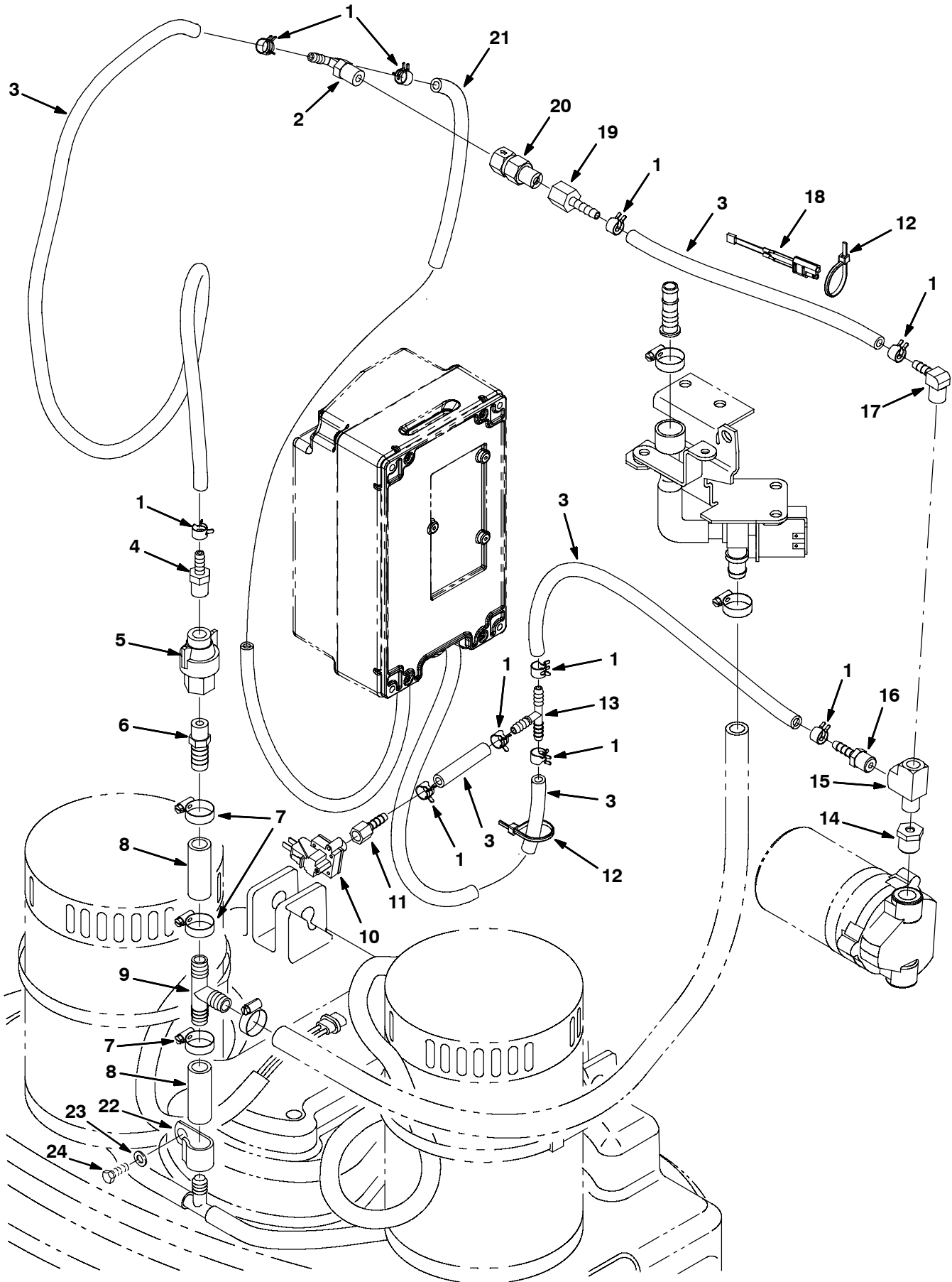
**Fig. 12- ec-H2O Solution Pump Group**

| <b>Ref.</b> | <b>Part No.</b> | <b>Serial Number</b> | <b>Description</b>                                   | <b>Qty.</b> |
|-------------|-----------------|----------------------|--|-------------|
| 1           | 9004561         | (10403557-           | ) Module, Water, Afmkt [Echo] (See Breakdown)        | 1           |
| 2           | 01697           | (10403557-           | ) Screw, Hex, .25-20 X 0.62, Ss                      | 1           |
| 3           | 01685           | (10403557-           | ) Washer, Flat, 0.38b 0.88d .08, Ss                  | 6           |
| 4           | 15675           | (10403557-           | ) Screw, Hex, M8 X 1.25 X 16, Ss                     | 1           |
| 5           | 69234           | (10403557-           | ) Clamp, Cable, Stl, 1.00d X 0.75w, 1hole            | 1           |
| 6           | 1034731         | (10403557-           | ) Screw, Hex, M6 X 1.00 X 16, Sems, Ss               | 2           |
| 7           | 392937          | (10403557-           | ) Horn, 12-48vdc [94 Decibels]                       | 1           |
| 8           | 53466           | (10403557-           | ) Clamp, Cable, Stl, 1.50d X 1.00w, 1hole            | 2           |
| ▽           | 9               | 1005388              | (10403557-) Filter, In-Line, Pf08/Pf08 080mesh 02.6l | 1           |
| ▲           | 10              | 1005304              | (10403557-) Screen, Fltr, 80 Mesh, Ss                | 1           |
|             | 11              | 1044803              | (10403557-) Bracket, Echo Module [5680/5700]         | 1           |
|             | 12              | 12273                | (10403557-) Screw, Hex, M8 X 1.25 X 20, NI, Ss       | 4           |
|             | 13              | 79273                | (10403557-) Fitting, Plstc, Str, Bm06/Pm08           | 1           |
|             | 14              | 43844                | (10403557-) Clamp, Hose, Wormdrive, 0.25-0.62d, .31w | 2           |
|             | 15              | 1006400              | (10403557-) Hose, Afmkt, Pvc, Brd, 0.38id, 03ft, Clr | 1           |
|             | 16              | 1005630              | (10403557-) Fitting, Plstc, E90, Bm06/Pm06, Nyl      | 1           |
|             | 17              | 1042495              | (10403557-) Pump, Soltn, Ele, 24vdc, 35psi           | 1           |
|             | 18              | 43555                | (10403557-) Clamp, Hose, Wormdrive, 2.50-3.50d, .50w | 1           |
|             | 19              | 1002603              | (10403557-) Bracket, Pump, Soltn                     | 1           |
|             | 20              | 1005218              | (10403557-) Fitting, Plstc, Str, Pm08/Pm12, Nyl      | 1           |

▽ - Identifies an assembly

▲ - Identifies parts included in assembly

**Fig. 13 - ec-H<sub>2</sub>O Solution Supply Group, Disk Scrub Head**

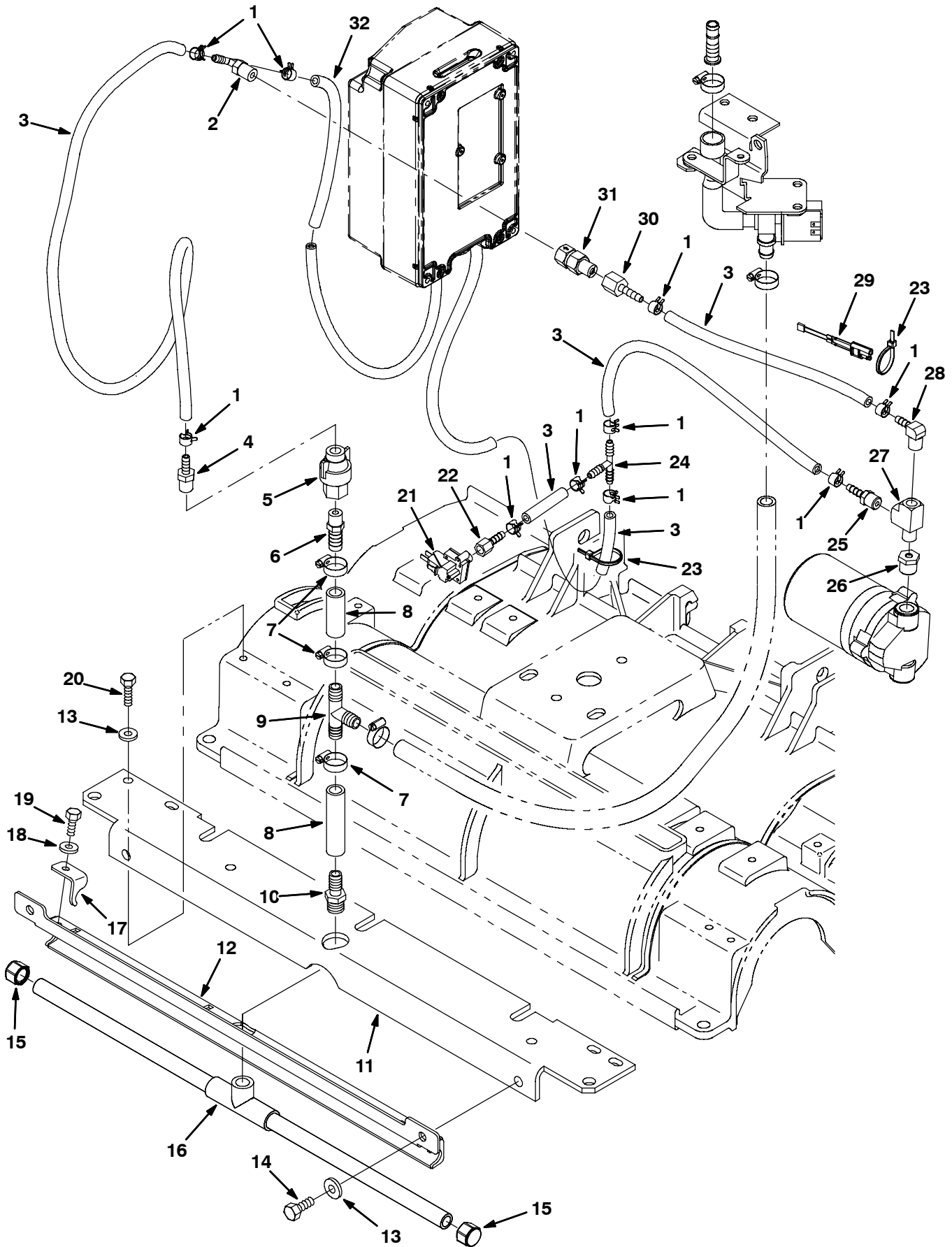


**Fig. 13 - ec-H2O Solution Supply Group, Disk Scrub Head**

| <b>Ref.</b> | <b>Part No.</b> | <b>Serial Number</b> | <b>Description</b>                         | <b>Qty.</b> |
|-------------|-----------------|----------------------|--|-------------|
| 1           | 603654          | (10403557-           | ) Clamp, Hose, Ear, .44d [Ctb]             | 10          |
| 2           | 607306          | (10403557-           | ) Fitting, Plstc, Tee, Bm04/Bm04/Pm04, Br  | 1           |
| 3           | 578820000       | (10403557-           | ) Hose, Pvc, Brd, 0.25id 0.44od 157.2l,Clr | 1           |
| 4           | 50901           | (10403557-           | ) Fitting, Plstc, Str, Bm04/Pm04           | 1           |
| 5           | 1043866         | (10403557-           | ) Fitting Assy, Qd, Pf04                   | 1           |
| 6           | 1010775         | (10403557-           | ) Fitting, Plstc, Str, Bm08/Pm04, Nyl      | 1           |
| 7           | 54333           | (10000000-           | ) Clamp, Hose, Wormdrive, 0.31-0.88d, .31w | 3           |
| 8           | 1006401         | (10000000-           | ) Hose, Afmkt, Pvc, Brd, 0.50id, 03ft, Clr | 1           |
| 9           | 63245-1         | (10000000-           | ) Fitting, Plstc, Tee, Bm08/Bm08/Bm08      | 1           |
| 10          | 1044415         | (10403557-           | ) Switch, Press, 18psi, Pm02               | 1           |
| 11          | 150520          | (10403557-           | ) Fitting, Brs, Str, Bm04/Pf02             | 1           |
| 12          | 130773          | (10403557-           | ) Tie, Cable, Nyl, 11.0l, .14w, 3.0 Max. D | 2           |
| 13          | 150713          | (10403557-           | ) Fitting, Plstc, Tee, Bm04/Bm04/Bm04      | 1           |
| 14          | 150006          | (10403557-           | ) Fitting, Brs, Str, Pf04/Pm06, Bshg       | 1           |
| 15          | 150709          | (10403557-           | ) Fitting, Brs, Tee, Pm04/Pf04/Pf04, Run   | 1           |
| 16          | 150515          | (10403557-           | ) Fitting, Brs, Str, Bm04/Pm04 [Taped]     | 1           |
| 17          | 150418          | (10403557-           | ) Fitting, Brs, E90, Bm04/Pm04             | 1           |
| 18          | 1040868         | (10403557-           | ) Capacitor, Plug [.01 Uf, 200v]           | 1           |
| 19          | 150510          | (10403557-           | ) Fitting, Brs, Str, Bm04/Pf04             | 1           |
| 20          | 1044790         | (10403557-           | ) Valve, Check, 0025psi Pm04/Pf04          | 1           |
| 21          | 9004606         | (10403557-           | ) Hose, Pvc, Brd, .25id .45od 46l, Clr     | 1           |
| 22          | 30407           | (10403557-           | ) Clip, Keeper, Open                       | 1           |
| 23          | 32483           | (10403557-           | ) Washer, Flat, 0.25, Sae                  | 1           |
| 24          | 55845           | (10403557-           | ) Screw, Hex, M5 X 0.80 X 16, Fmg          | 1           |

# OPTIONS

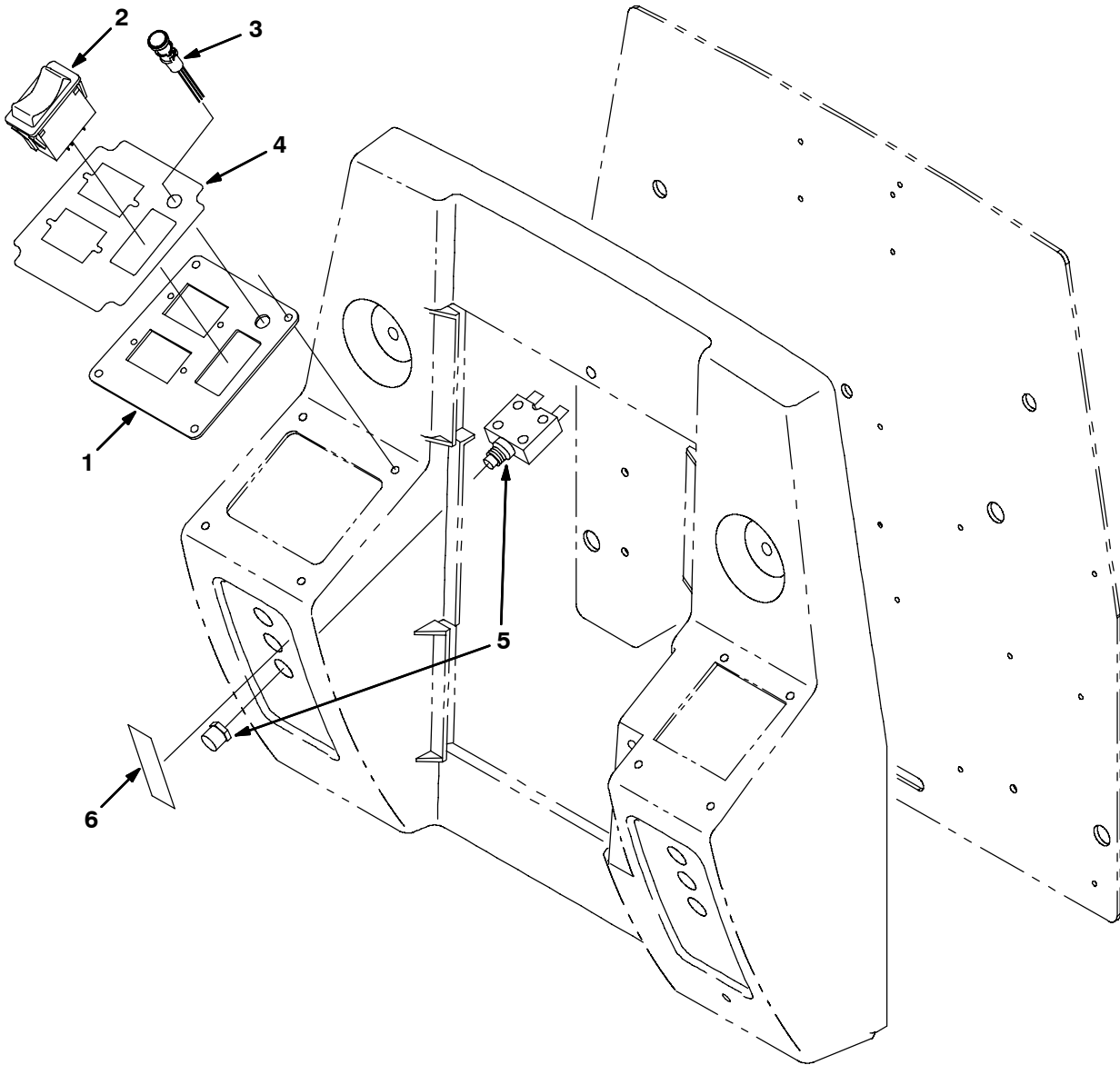
Fig. 14 - ec-H<sub>2</sub>O Solution Supply Group, Model 700C / 800C / 900C Scrub Head



**Fig. 14 - ec-H2O Solution Supply Group, Model 700C / 800C / 900C Scrub Head**

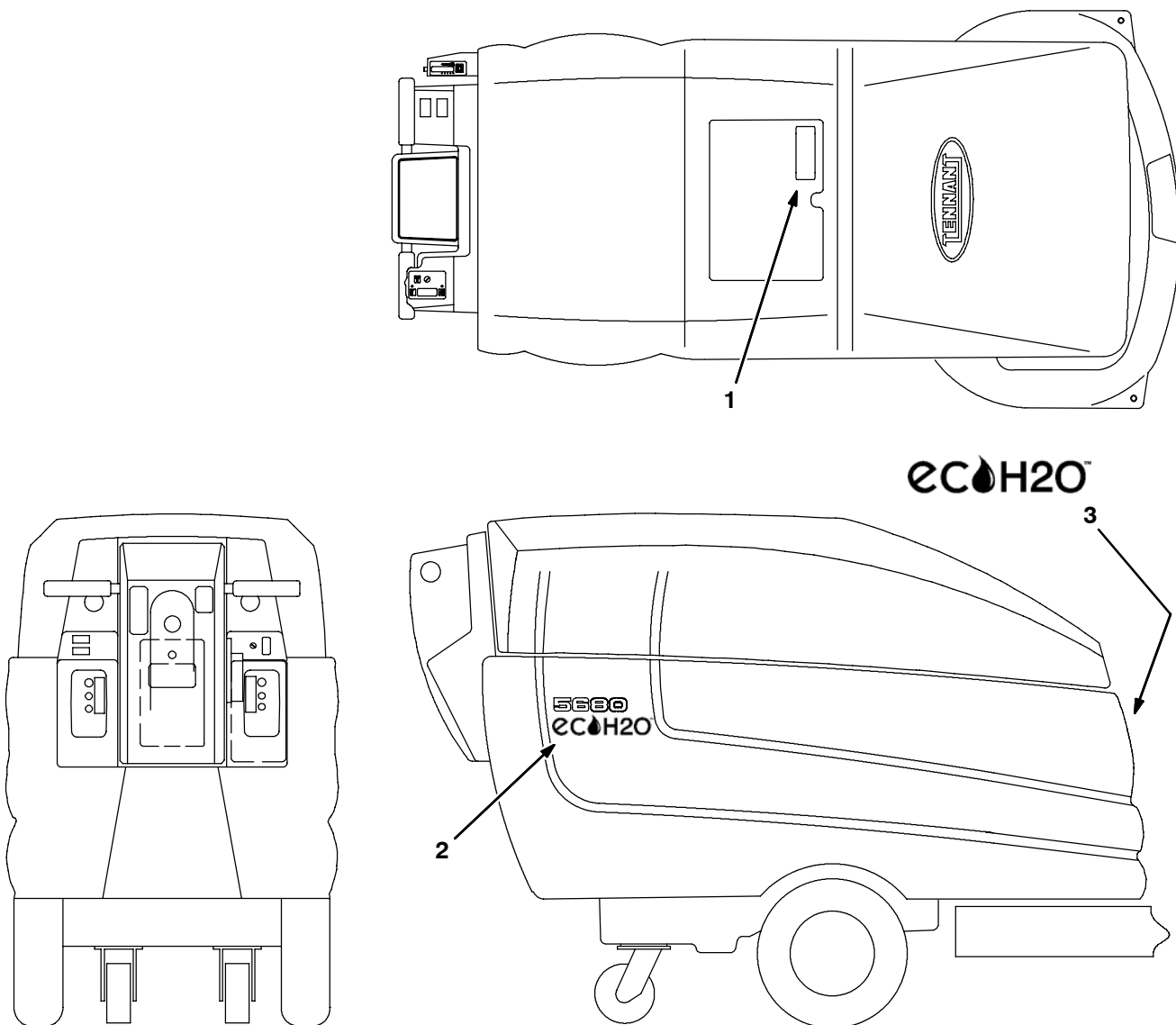
| Ref. | Part No.  | Serial Number | Description                                      | Qty. |
|------|-----------|---------------|--|------|
| 1    | 603654    | (10403557-    | ) Clamp, Hose, Ear, .44d [Ctb]                   | 10   |
| 2    | 607306    | (10403557-    | ) Fitting, Plstc, Tee, Bm04/Bm04/Pm04, Br        | 1    |
| 3    | 578820000 | (10403557-    | ) Hose, Pvc, Brd, 0.25id 0.44od 157.2l,Clr       | 1    |
| 4    | 50901     | (10403557-    | ) Fitting, Plstc, Str, Bm04/Pm04                 | 1    |
| 5    | 1043866   | (10403557-    | ) Fitting Assy, Qd, Pf04                         | 1    |
| 6    | 1010775   | (10403557-    | ) Fitting, Plstc, Str, Bm08/Pm04, Nyl            | 1    |
| 7    | 54333     | (10000000-    | ) Clamp, Hose, Wormdrive, 0.31-0.88d, .31w       | 3    |
| 8    | 1006401   | (10000000-    | ) Hose, Afmkt, Pvc, Brd, 0.50id, 03ft, Clr       | 1    |
| 9    | 63245-1   | (10000000-    | ) Fitting, Plstc, Tee, Bm08/Bm08/Bm08            | 1    |
| 10   | 64743     | (10000000-    | ) Fitting, Plstc, Str, Bm08/Pm06                 | 1    |
| 11   | 1046020   | (10000000-    | ) Angle, Head, Cylrcl, 700mm                     | 1    |
| 11   | 1046023   | (10000000-    | ) Angle, Head, Cylrcl, 800mm                     | 1    |
| 11   | 1047642   | (10000000-    | ) Angle, Head, Cylrcl, 900mm                     | 1    |
| 12   | 1014993   | (10000000-    | ) Bracket Wldt, Bar, Spray, 700mm [7100]         | 1    |
| 12   | 1014957   | (10000000-    | ) Bracket Wldt, Bar, Spray, 800mm & 900mm [7100] | 1    |
| 13   | 01685     | (10000000-    | ) Washer, Flat, 0.38b 0.88d .08, Ss              | 6    |
| 14   | 12273     | (10000000-    | ) Screw, Hex, M8 X 1.25 X 20, NI, Ss             | 2    |
| 15   | 1025580   | (10000000-    | ) Fitting, Pipe, Cap, P06, Nyl                   | 2    |
| 16   | 1046049   | (10000000-    | ) Tube Assy, Bar, Spray (700mm)                  | 1    |
| 16   | 1025276   | (10000000-    | ) Tube Assy, Bar, Spray [85cm] (800mm & 900mm)   | 1    |
| 17   | 1014673   | (10000000-    | ) Bracket, Bar, Spray                            | 3    |
| 18   | 01684     | (10000000-    | ) Washer, Flat, 0.27b 0.69d .05, Ss              | 3    |
| 19   | 11635     | (10000000-    | ) Screw, Hex, M6 X 1.00 X 12, NI, Ss             | 3    |
| 20   | 76099     | (10000000-    | ) Screw, Hex, M8 X 1.25 X 25, Fmg                | 4    |
| 21   | 1044415   | (10403557-    | ) Switch, Press, 18psi, Pm02                     | 1    |
| 22   | 150520    | (10403557-    | ) Fitting, Brs, Str, Bm04/Pf02                   | 1    |
| 23   | 130773    | (10403557-    | ) Tie, Cable, Nyl, 11.0l, .14w, 3.0 Max. D       | 2    |
| 24   | 150713    | (10403557-    | ) Fitting, Plstc, Tee, Bm04/Bm04/Bm04            | 1    |
| 25   | 150515    | (10403557-    | ) Fitting, Brs, Str, Bm04/Pm04 [Taped]           | 1    |
| 26   | 150006    | (10403557-    | ) Fitting, Brs, Str, Pf04/Pm06, Bshg             | 1    |
| 27   | 150709    | (10403557-    | ) Fitting, Brs, Tee, Pm04/Pf04/Pf04, Run         | 1    |
| 28   | 150418    | (10403557-    | ) Fitting, Brs, E90, Bm04/Pm04                   | 1    |
| 29   | 1040868   | (10403557-    | ) Capacitor, Plug [.01 Uf, 200v]                 | 1    |
| 30   | 150510    | (10403557-    | ) Fitting, Brs, Str, Bm04/Pf04                   | 1    |
| 31   | 1044790   | (10403557-    | ) Valve, Check, 0025psi Pm04/Pf04                | 1    |
| 32   | 9004606   | (10403557-    | ) Hose, Pvc, Brd, .25id .45od 46l, Clr           | 1    |

**Fig. 15 - ec-H2O Operator Console Group**



| Ref. | Part No. | Serial Number | Description  | Qty. |
|------|----------|---------------|--|------|
| 1    | 1041757  | (10403557-    | ) Plate, Cover, Ele                                | 1    |
| 2    | 397889   | (10403557-    | ) Switch, Rocker, Dpst, On / None / On             | 1    |
| 3    | 1041822  | (10403557-    | ) Light, Led, .312d, 5 Volt [Tri-Color]            | 1    |
| 4    | 1050012  | (10403557-    | ) Label, Switch, <i>ec-H2O</i> [5680]              | 1    |
| 5    | 383721   | (10403557-    | ) Circuitbreaker, 10.0a, Resetable                 | 1    |
| 6    | 1050015  | (10403557-    | ) Label, Circuitbreaker, <i>ec-H2O</i> [5680/5700] | 1    |

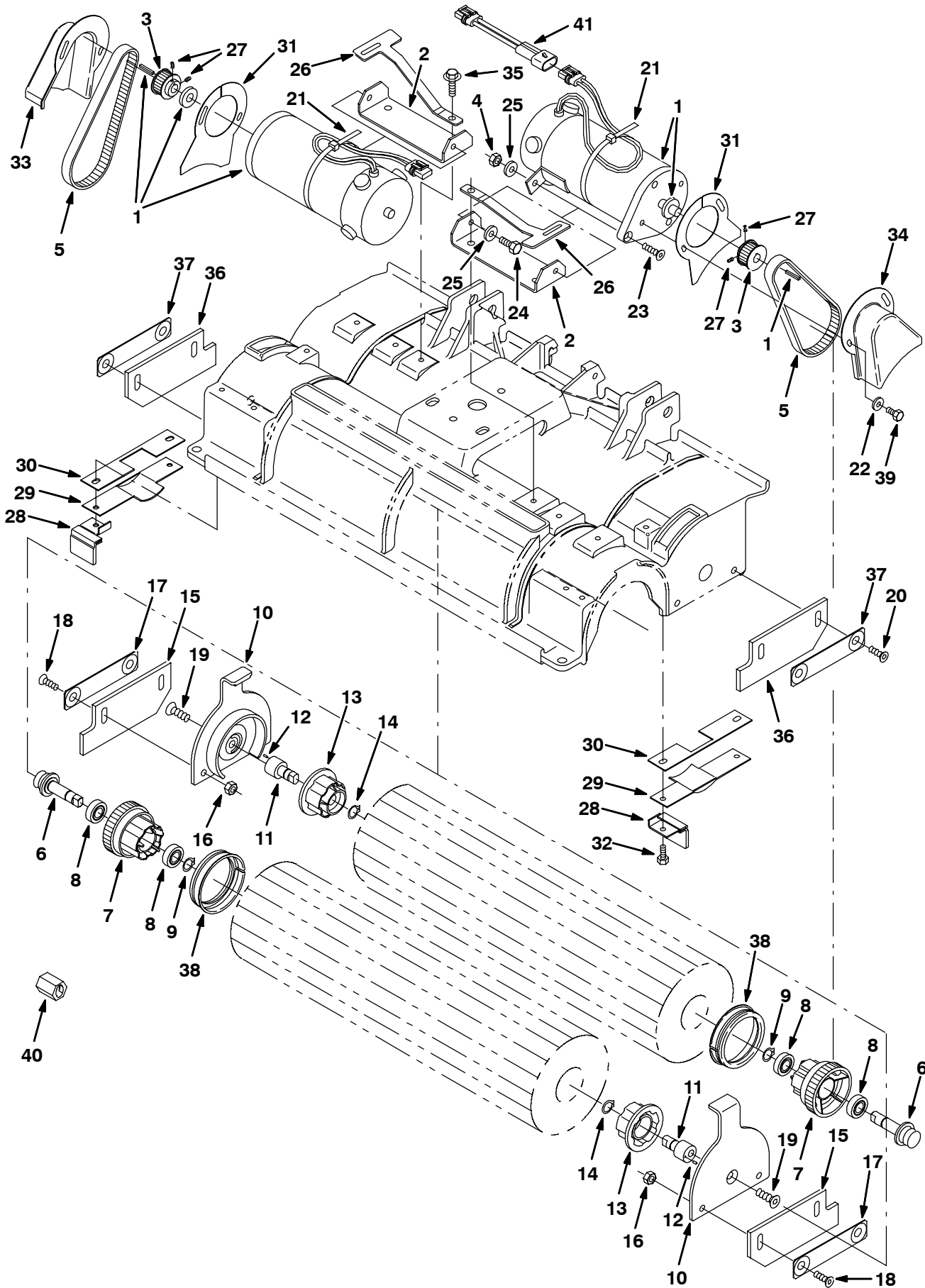
Fig. 16 - ec-H2O Label Group



| Ref. | Part No. | Serial Number | Description                        | Qty. |
|------|----------|---------------|------------------------------------|------|
| 1    | 1050003  | (10403557-    | ) Label, User, Attention, ec-H2O   | 1    |
| 2    | 1050013  | (10403557-    | ) Label, Side, ec-H2O [5680]       | 2    |
| 3    | 1050014  | (10403557-    | ) Label, Front, ec-H2O [5680/5700] | 2    |

# OPTIONS

Fig. 17 - Scrub Head Drive Group, Model 700C, 700 mm (28 in)





**Fig. 17 - Scrub Head Drive Group, Model 700C, 700 mm (28 in)**

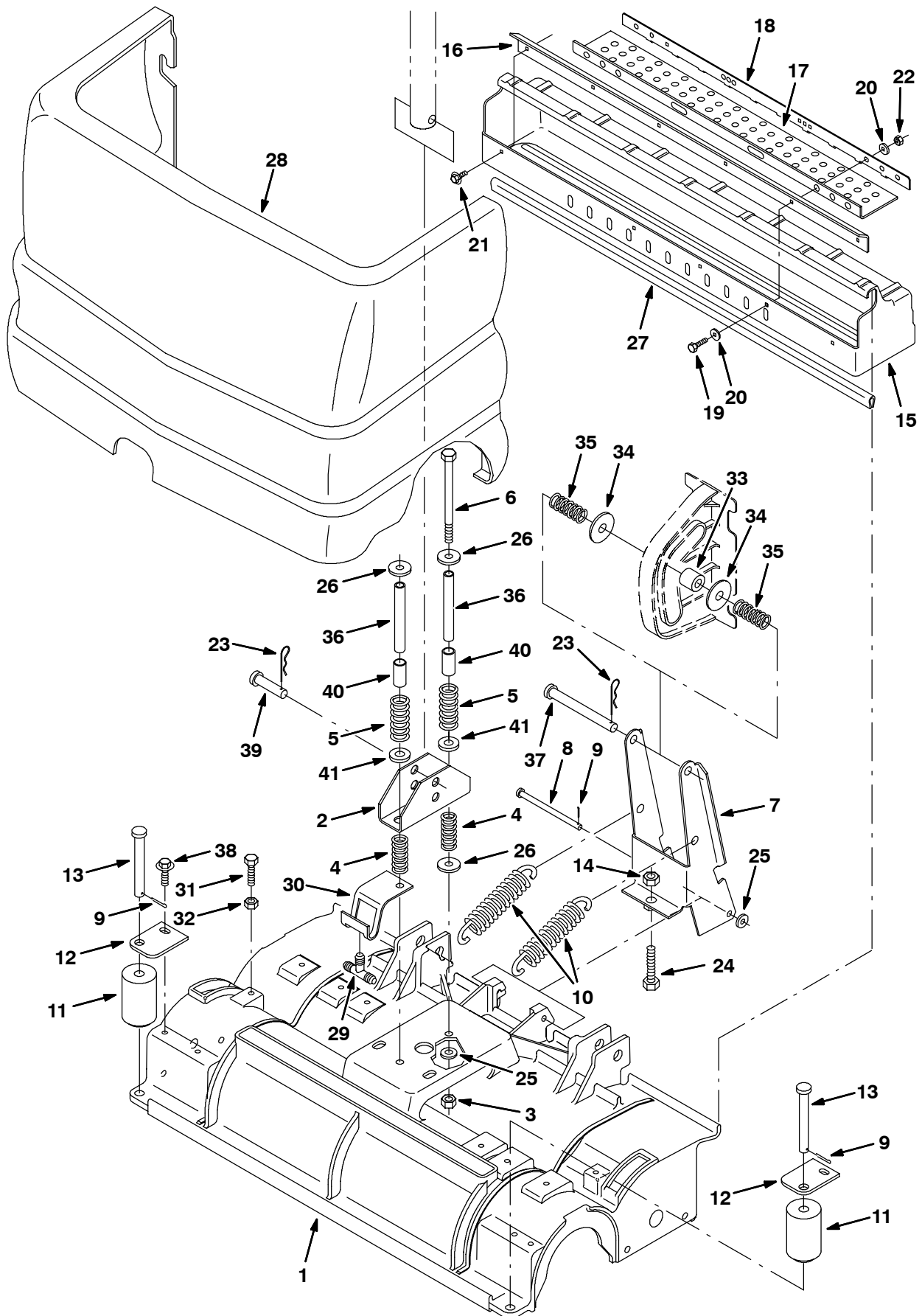
NOTE: Scrub Head Kit, Tennant Part Number 9002722, includes Fig. 17, and Fig. 18.

| Ref. | Part No. | Serial Number      | Description   | Qty.                                |   |
|------|----------|--------------------|---|-------------------------------------|---|
| 1    | 1038426  | (10355043-         | ) Motor, Ele, 36Vdc 1700Rpm 0.75Hp (See Breakdowns) | 2                                   |   |
|      | 375175   | (10000000-10355042 | ) Motor, Ele, 36Vdc 1700Rpm 0.75Hp (See Breakdowns) | 2                                   |   |
| 2    | 223564   | (10000000-         | ) Bracket, Mounting, Motor                          | 2                                   |   |
| 3    | 375195   | (10000000-         | ) Sprocket, Drive                                   | 2                                   |   |
| 4    | 08713    | (10000000-         | ) Nut-Hxlocnyln M 8X1.25 Reg Ss                     | 4                                   |   |
| 5    | 377505   | (10000000-         | ) Belt, Replmt, Brush Drive, F/222201               | 2                                   |   |
| ∇    | 222751   | (10000000-         | ) Plug Drive Assy                                   | 2                                   |   |
| ▲    | 6        | 222176             | (10000000-  | ) Shaft, Drive Plug                 | 1 |
| ▲    | 7        | 1040931            | (10000000-  | ) Plug, Drive, Brush                | 1 |
| ▲    | 8        | 41360              | (10000000-  | ) Bearing, Ball, 0.59b 1.26d 0.35w  | 2 |
| ▲    | 9        | 01516              | (10000000-  | ) Ring,Retain,Ex,0.59Od,Basic       | 1 |
| ∇    | 374082   | (10000000-         | ) Door Assy, Brush                                  | 2                                   |   |
| ▲    | 10       | 1044145            | (10000000-  | ) Door, Brush                       | 1 |
| ▲∇   | 222752   | (10000000-         | ) Plug Idler Assy                                   | 1                                   |   |
| ▲▲   | 11       | 222177             | (10000000-  | ) Shaft, Idler Plug                 | 1 |
| ▲▲   | 12       | 222184             | (10000000-  | ) Pin, Roll                         | 1 |
| ▲▲   | 13       | 379202             | (10000000-  | ) Plug, Brush                       | 1 |
| ▲▲   | 14       | 01516              | (10000000-  | ) Ring,Retain,Ex,0.59Od,Basic       | 1 |
| ▲    | 15       | 222180             | (10000000-  | ) Skirt, Scrub Head                 | 1 |
| ▲    | 16       | 08713              | (10000000-  | ) Nut-Hxlocnylon M 8X1.25 Reg Ss    | 2 |
| ▲    | 17       | 222182             | (10000000-  | ) Bar, Support                      | 1 |
| ▲    | 18       | 74077              | (10000000-  | ) Scr-Flt M8 X 1.25 25 Ss           | 2 |
| ▲    | 19       | 390996             | (10000000-  | ) Scr-Flt M10 X 1.5 20, Ss NI       | 1 |
|      | 20       | 07810              | (10000000-  | ) Scr Flt M8 x 1.25 25              | 4 |
|      | 21       | 44961              | (10000000-  | ) Tie, Cable 4.00D Max 14.50 Lg     | 2 |
|      | 22       | 01684              | (10000000-  | ) Washer Flt .25 Ss                 | 4 |
|      | 23       | 74077              | (10000000-  | ) Screw, Flat,M 8X1.25 Ss           | 2 |
|      | 24       | 09740              | (10000000-  | ) Scr Hexssm 8X1.25                 | 2 |
|      | 25       | 01685              | (10000000-  | ) Washer, Flat, 0.38b 0.88d .08, Ss | 6 |
|      | 26       | 222209             | (10000000-  | ) Spring, Door                      | 2 |
|      | 27       | 222818             | (10000000-  | ) Scr-Set 8-32 X .25 Nylon Loc      | 4 |
|      | 28       | 223568             | (10000000-  | ) Skirt, Deflector                  | 2 |
|      | 29       | 223566             | (10000000-  | ) Bracket, Shield                   | 2 |
|      | 30       | 223569             | (10000000-  | ) Gasket, Shield                    | 2 |
|      | 31       | 223563             | (10000000-  | ) Shield, Belt                      | 2 |
|      | 32       | 15678              | (10000000-  | ) Screw, Hex, M06 X 1.0 X 16, Ss    | 4 |
|      | 33       | 223560             | (10000000-  | ) Guard, Belt, Rh                   | 1 |
|      | 34       | 223561             | (10000000-  | ) Guard, Belt, Lh                   | 1 |
|      | 35       | 76099              | (10000000-  | ) Scr-Hxfmg M8 X 1.25 25            | 4 |
|      | 36       | 222180             | (10000000-  | ) Skirt, Scrub Head                 | 2 |
|      | 37       | 222182             | (10000000-  | ) Bar, Support                      | 2 |
|      | 38       | 222820             | (10000000-  | ) Seal, Ring                        | 2 |
|      | 39       | 06942              | (10000000-  | ) Screw, Hex, M06-1.0 X 16          | 4 |
|      | 40       | 1010506            | (10000000-  | ) Tool, Removal, Shaft, F/ 222176   | 1 |
|      | 41       | 1025065            | (10000000-  | ) Harness, Motor, Brush             | 1 |

∇ - Identifies an assembly

▲ - Identifies parts included in assembly

Fig. 18 - Scrub Head Frame Group, Model 700C, 700 mm (28 in)



**Fig. 18 - Scrub Head Frame Group, Model 700C, 700 mm (28 in)**

NOTE: Scrub Head Kit, Tennant Part Number 9002722, includes Fig. 17, and Fig. 18.

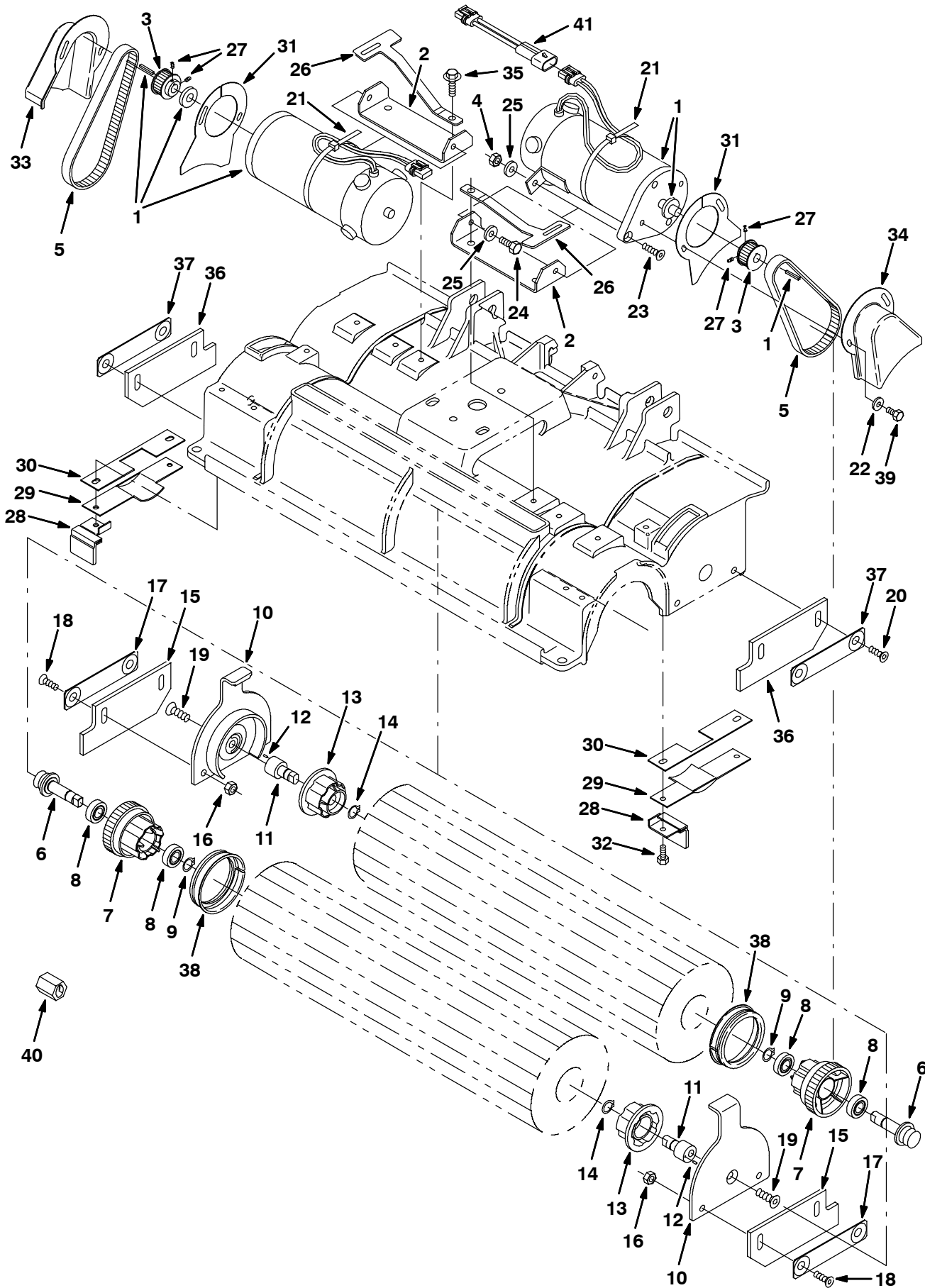
| Ref. | Part No. | Serial Number | Description  | Qty. |
|------|----------|---------------|--|------|
| 1    | 1022254  | (10000000-    | ) Housing, Cyl, Mach, 700mm                            | 1    |
| 2    | 1012088  | (10000000-    | ) Bracket, Mtg, Spring                                 | 1    |
| 3    | 59156    | (10000000-    | ) Nut, Hex, Lock, .38-16, NI, Ss                       | 2    |
| 4    | 63185    | (10000000-    | ) Spring, Comp, .84Odx.10Wire 2.0L                     | 2    |
| 5    | 45261    | (10000000-    | ) Sprng, Comp, 0.74Idx.11Wire 2.5L                     | 2    |
| 6    | 20178    | (10000000-    | ) Screw, Hex, .38-16 X 5.50, 5                         | 2    |
| 7    | 222838   | (10000000-    | ) Bracket, Pivot                                       | 1    |
| 8    | 222207   | (10000000-    | ) Pin, Clevis, 0.31Dia X4.5Lg                          | 1    |
| 9    | 08346    | (10000000-    | ) Pin, Cotter .125X0.75                                | 3    |
| 10   | 222363   | (10000000-    | ) Spring, Tension                                      | 2    |
| 11   | 222178   | (10000000-    | ) Roller, Bumper                                       | 2    |
| 12   | 222179   | (10000000-    | ) Bracket, Mounting, Roller                            | 2    |
| 13   | 222196   | (10000000-    | ) Pin, Roller  | 2    |
| 14   | 39312    | (10000000-    | ) Nut, Hex, Std, M10 X 1.5                             | 1    |
| ▽    | 222824   | (10000000-    | ) Debris Tray Kit, 28 in                               | 1    |
| ▲    | 15       | 9005726       | (10000000-) Tray, Debris, 28.0l, Afrmkt, [5680/5700]   | 1    |
| ▲    | 16       | 222203        | (10000000-) Lip, Debris Tray, 28"                      | 1    |
| ▲    | 17       | 222669        | (10000000-) Skirt, Debris Tray                         | 1    |
| ▲    | 18       | 222670        | (10000000-) Strip, Debris Tray                         | 1    |
| ▲    | 19       | 09007         | (10000000-) Scr-Hexssm6X1.0 25                         | 4    |
| ▲    | 20       | 01684         | (10000000-) Washer Flt .25 Ss                          | 8    |
| ▲    | 21       | 74455         | (10000000-) Scr-Hxfmg M6 X 1.0 20                      | 2    |
| ▲    | 22       | 08708         | (10000000-) Nut, Hex, Lock, M6 X 1.0, NI               | 4    |
|      | 23       | 02942         | (10000000-) Pin, Cotter, Hair, 0.62d .120 Wir          | 2    |
|      | 24       | 05720         | (10000000-) Scr-Hexssm10X1.5 40 Full Thd               | 1    |
|      | 25       | 01685         | (10000000-) Washer, Flat, 0.38b 0.88d .08, Ss          | 3    |
|      | 26       | 32662         | (10000000-) Washer, Flat, 0.38b 1.22d .06, Ss          | 3    |
|      | 27       | 374006        | (10000000-) Channel                                    | 1    |
|      | 28       | 9005801       | (10000000-) Cover, Front, Teal, Afrmkt [5680/5700 Cyl] | 1    |
|      | 29       | 222536        | (10000000-) Fitting-Plastic Tee 06Bm/06Bm/             | 1    |
|      | 30       | 222523        | (10000000-) Bracket, Hose Guide                        | 1    |
|      | 31       | 09023         | (10000000-) Screw, Hex, M08 X 1.25 X 35, Ss            | 2    |
|      | 32       | 08713         | (10000000-) Nut, Hex, Lock, M08 X 1.25, NI, Ss         | 2    |
|      | 33       | 374162        | (10000000-) Roller, Rwk                                | 1    |
|      | 34       | 51564         | (10000000-) Washer, 0.53b 1.75d .12, Stl, PI           | 2    |
|      | 35       | 397255        | (10000000-) Spring, Cmpr, 0.85od .08wir 2.0l           | 2    |
|      | 36       | 1029426       | (10000000-) ube, Rnd, 0.50d 0.40b 04.3l, Ss            | 2    |
|      | 37       | 222197        | (10000000-) Pin, Clevis 0.50 Dia X 4.75Lg              | 1    |
|      | 38       | 76099         | (10000000-) Screw, Hex, M8 X 1.25 X 25, Fmg            | 2    |
|      | 39       | 51534         | (10000000-) Pin, Clevis, 0.50 D X 2.00l                | 1    |
|      | 40       | 140148        | (10000000-) Sleeve, P/M, 0.50b 0.63d 1.4l, Stl PI      | 2    |
|      | 41       | 32486         | (10000000-) Washer, Flat, 0.50 Sae                     | 2    |

▽ - Identifies an assembly

▲ - Identifies parts included in assembly

# OPTIONS

Fig. 19 - Scrub Head Drive Group, Model 800C, 800 mm (32 in)



**Fig. 19 - Scrub Head Drive Group, Model 800C, 800 mm (32 in)**

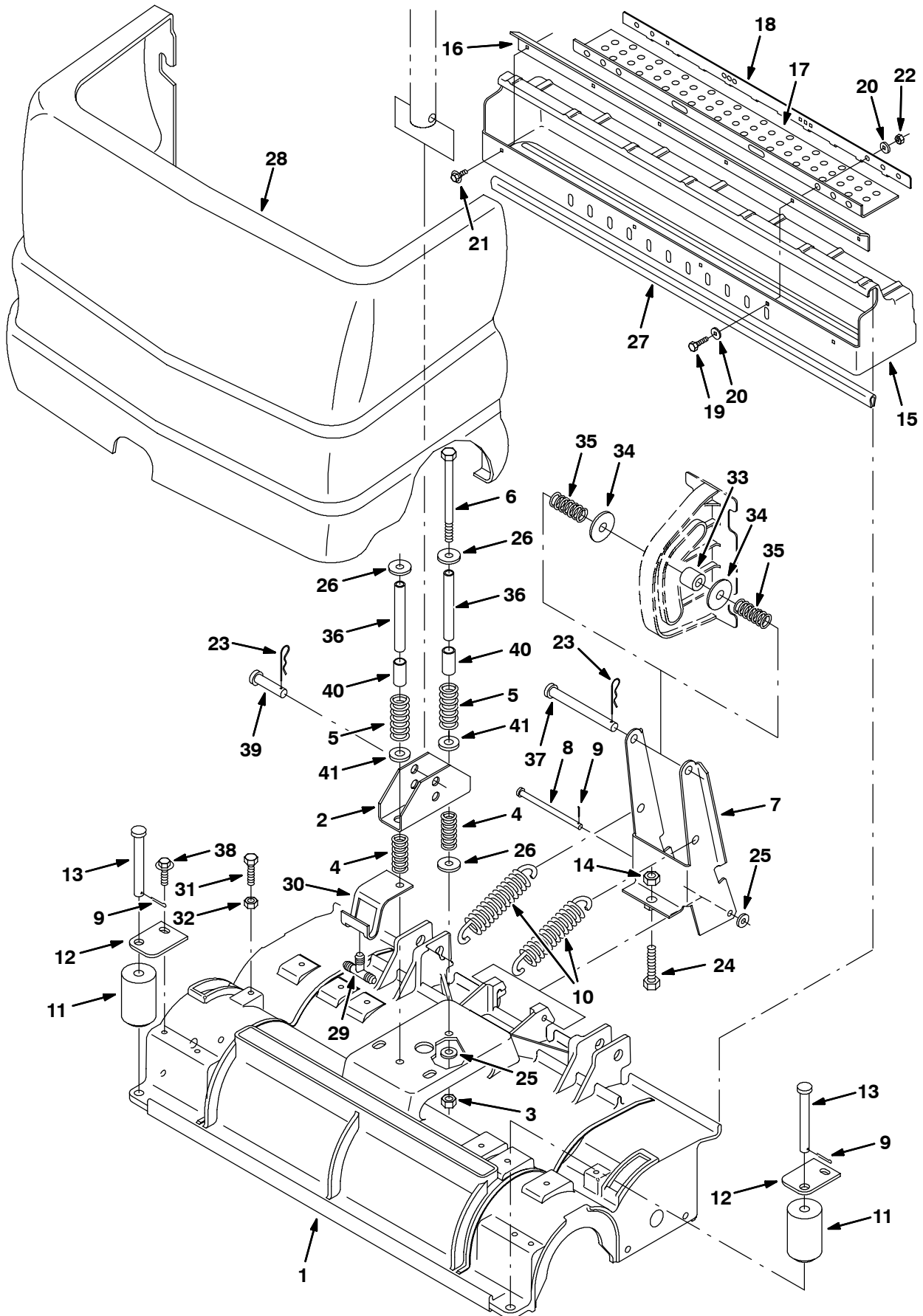
NOTE: Scrub Head Kit, Tennant Part Number 9002723, includes Fig. 17, and Fig. 18.

| Ref. | Part No. | Serial Number      | Description   | Qty.                                |   |
|------|----------|--------------------|---|-------------------------------------|---|
| 1    | 1038426  | (10355043-         | ) Motor, Ele, 36Vdc 1700Rpm 0.75Hp (See Breakdowns) | 2                                   |   |
|      | 375175   | (10000000-10355042 | ) Motor, Ele, 36Vdc 1700Rpm 0.75Hp (See Breakdowns) | 2                                   |   |
| 2    | 223564   | (10000000-         | ) Bracket, Mounting, Motor                          | 2                                   |   |
| 3    | 375195   | (10000000-         | ) Sprocket, Drive                                   | 2                                   |   |
| 4    | 08713    | (10000000-         | ) Nut-Hxlocnyln M 8X1.25 Reg Ss                     | 4                                   |   |
| 5    | 377505   | (10000000-         | ) Belt, Replmt, Brush Drive, F/222201               | 2                                   |   |
| ▽    | 222751   | (10000000-         | ) Plug Drive Assy                                   | 2                                   |   |
| ▲    | 6        | 222176             | (10000000-  | ) Shaft, Drive Plug                 | 1 |
| ▲    | 7        | 1040931            | (10000000-  | ) Plug, Drive, Brush                | 1 |
| ▲    | 8        | 41360              | (10000000-  | ) Bearing-Ball,0.59B 1.26D 0.35W    | 2 |
| ▲    | 9        | 01516              | (10000000-  | ) Ring,Retain,Ex,0.59Od,Basic       | 1 |
| ▽    | 374082   | (10000000-         | ) Door Assy, Brush                                  | 2                                   |   |
| ▲    | 10       | 1044145            | (10000000-  | ) Door, Brush                       | 1 |
| ▲▽   | 222752   | (10000000-         | ) Plug Idler Assy                                   | 1                                   |   |
| ▲▲   | 11       | 222177             | (10000000-  | ) Shaft, Idler Plug                 | 1 |
| ▲▲   | 12       | 222184             | (10000000-  | ) Pin, Roll                         | 1 |
| ▲▲   | 13       | 379202             | (10000000-  | ) Plug, Brush                       | 1 |
| ▲▲   | 14       | 01516              | (10000000-  | ) Ring,Retain,Ex,0.59Od,Basic       | 1 |
| ▲    | 15       | 222180             | (10000000-  | ) Skirt, Scrub Head                 | 1 |
| ▲    | 16       | 08713              | (10000000-  | ) Nut-Hxlocnylon M 8X1.25 Reg Ss    | 2 |
| ▲    | 17       | 222182             | (10000000-  | ) Bar, Support                      | 1 |
| ▲    | 18       | 74077              | (10000000-  | ) Scr-Flt M8 X 1.25 25 Ss           | 2 |
| ▲    | 19       | 390996             | (10000000-  | ) Scr-Flt M10 X 1.5 20, Ss NI       | 1 |
|      | 20       | 07810              | (10000000-  | ) Scr Flt M8 x 1.25 25              | 4 |
|      | 21       | 44961              | (10000000-  | ) Tie, Cable 4.00D Max 14.50 Lg     | 2 |
|      | 22       | 01684              | (10000000-  | ) Washer Flt .25 Ss                 | 4 |
|      | 23       | 74077              | (10000000-  | ) Screw, Flat,M 8X1.25 Ss           | 2 |
|      | 24       | 09740              | (10000000-  | ) Scr Hexssm 8X1.25                 | 2 |
|      | 25       | 01685              | (10000000-  | ) Washer, Flat, 0.38b 0.88d .08, Ss | 6 |
|      | 26       | 222209             | (10000000-  | ) Spring, Door                      | 2 |
|      | 27       | 222818             | (10000000-  | ) Scr-Set 8-32 X .25 Nylon Loc      | 4 |
|      | 28       | 223568             | (10000000-  | ) Skirt, Deflector                  | 2 |
|      | 29       | 223566             | (10000000-  | ) Bracket, Shield                   | 2 |
|      | 30       | 223569             | (10000000-  | ) Gasket, Shield                    | 2 |
|      | 31       | 223563             | (10000000-  | ) Shield, Belt                      | 2 |
|      | 32       | 15678              | (10000000-  | ) Screw, Hex, M06 X 1.0 X 16, Ss    | 4 |
|      | 33       | 223560             | (10000000-  | ) Guard, Belt, Rh                   | 1 |
|      | 34       | 223561             | (10000000-  | ) Guard, Belt, Lh                   | 1 |
|      | 35       | 76099              | (10000000-  | ) Scr-Hxfmg M8 X 1.25 25            | 4 |
|      | 36       | 222180             | (10000000-  | ) Skirt, Scrub Head                 | 2 |
|      | 37       | 222182             | (10000000-  | ) Bar, Support                      | 2 |
|      | 38       | 222820             | (10000000-  | ) Seal, Ring                        | 2 |
|      | 39       | 06942              | (10000000-  | ) Screw, Hex, M06-1.0 X 16          | 4 |
|      | 40       | 1010506            | (10000000-  | ) Tool, Removal, Shaft, F/ 222176   | 1 |
|      | 41       | 1025065            | (10000000-  | ) Harness, Motor, Brush             | 1 |

▽ - Identifies an assembly

▲ - Identifies parts included in assembly

Fig. 20 - Scrub Head Frame Group, Model 800C, 800 mm (32 in)



**Fig. 20 - Scrub Head Frame Group, Model 800C, 800 mm (32 in)**

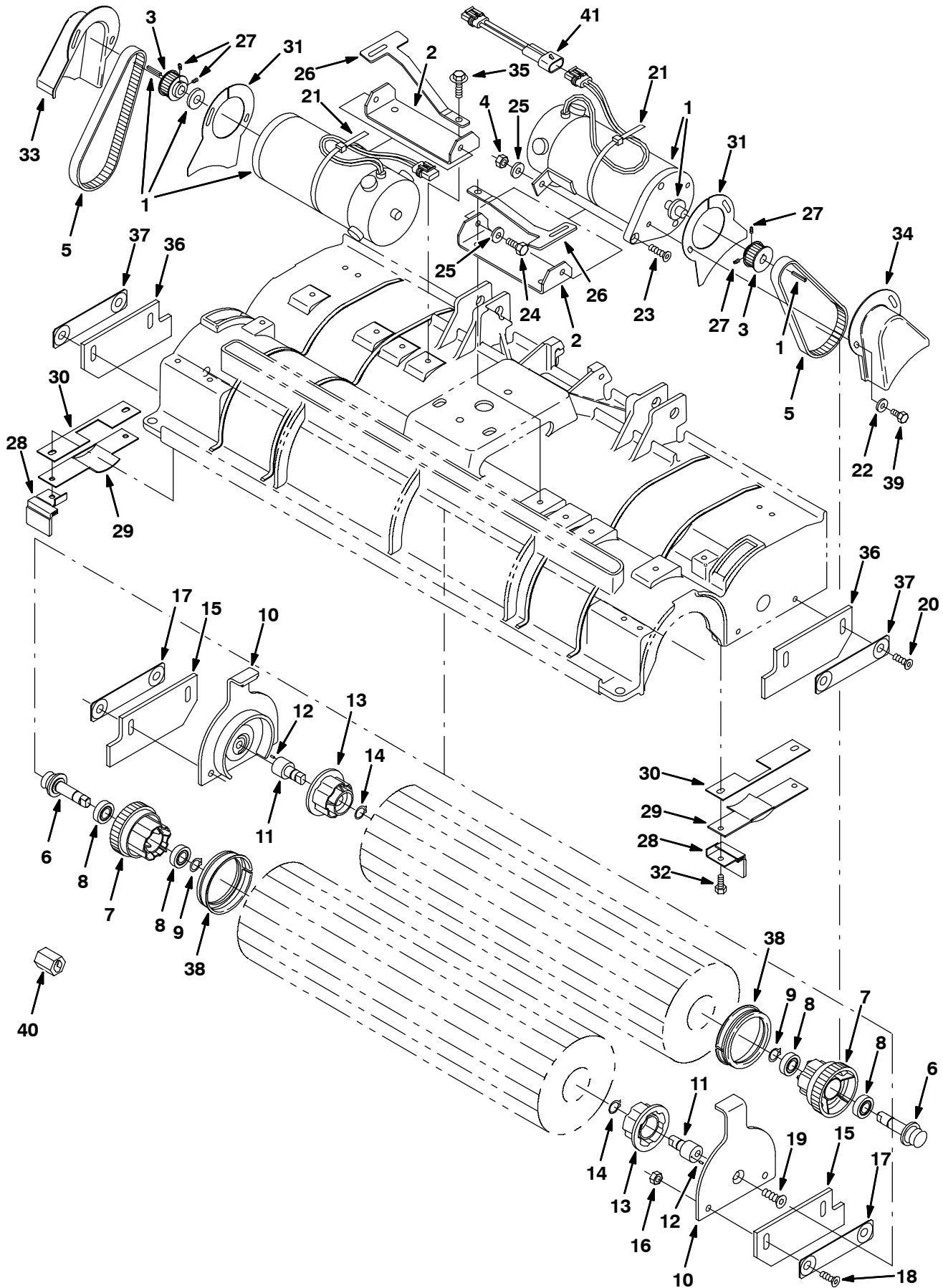
NOTE: Scrub Head Kit, Tennant Part Number 9002723, includes Fig. 20, and Fig. 21.

| Ref. | Part No. | Serial Number | Description  | Qty. |
|------|----------|---------------|--|------|
| 1    | 1022253  | (10000000-    | ) Housing, Cyl, Mach, 800mm                            | 1    |
| 2    | 1012088  | (10000000-    | ) Bracket, Mtg, Spring                                 | 1    |
| 3    | 59156    | (10000000-    | ) Nut, Hex, Lock, .38-16, NI, Ss                       | 2    |
| 4    | 63185    | (10000000-    | ) Spring, Comp, .84Odx.10Wire 2.0L                     | 2    |
| 5    | 45261    | (10000000-    | ) Sprng, Comp, 0.74Idx.11Wire 2.5L                     | 2    |
| 6    | 20178    | (10000000-    | ) Screw, Hex, .38-16 X 5.50, 5                         | 2    |
| 7    | 222838   | (10000000-    | ) Bracket, Pivot                                       | 1    |
| 8    | 222207   | (10000000-    | ) Pin, Clevis, 0.31Dia X4.5Lg                          | 1    |
| 9    | 08346    | (10000000-    | ) Pin, Cotter .125X0.75                                | 3    |
| 10   | 222363   | (10000000-    | ) Spring, Tension                                      | 2    |
| 11   | 222178   | (10000000-    | ) Roller, Bumper                                       | 2    |
| 12   | 222179   | (10000000-    | ) Bracket, Mounting, Roller                            | 2    |
| 13   | 222196   | (10000000-    | ) Pin, Roller  | 2    |
| 14   | 39312    | (10000000-    | ) Nut, Hex, Std, M10 X 1.5                             | 1    |
| ▽    | 222825   | (10000000-    | ) Debris Tray Kit, 32 in                               | 1    |
| ▲    | 15       | 9005727       | (10000000-) Tray, Debris, 32.0l, Afrmkt, [5680/5700]   | 1    |
| ▲    | 16       | 222204        | (10000000-) Lip, Debris Tray, 32"                      | 1    |
| ▲    | 17       | 222669        | (10000000-) Skirt, Debris Tray                         | 1    |
| ▲    | 18       | 222670        | (10000000-) Strip, Debris Tray                         | 1    |
| ▲    | 19       | 09007         | (10000000-) Scr-Hexssm6X1.0 25                         | 4    |
| ▲    | 20       | 01684         | (10000000-) Washer Flt .25 Ss                          | 8    |
| ▲    | 21       | 74455         | (10000000-) Scr-Hxfmg M6 X 1.0 20                      | 2    |
| ▲    | 22       | 08708         | (10000000-) Nut, Hex, Lock, M6 X 1.0, NI               | 4    |
|      | 23       | 02942         | (10000000-) Pin, Cotter, Hair, 0.62d .120 Wi           | 2    |
|      | 24       | 05720         | (10000000-) Scr-Hexssm10X1.5 40 Full Thd               | 1    |
|      | 25       | 01685         | (10000000-) Washer, Flat, 0.38b 0.88d .08, Ss          | 3    |
|      | 26       | 32662         | (10000000-) Washer, Flat, 0.38b 1.22d .06, Ss          | 3    |
|      | 27       | 374006        | (10000000-) Channel                                    | 1    |
|      | 28       | 9005801       | (10000000-) Cover, Front, Teal, Afrmkt [5680/5700 Cyl] | 1    |
|      | 29       | 222536        | (10000000-) Fitting-Plastic Tee 06Bm/06Bm/             | 1    |
|      | 30       | 222523        | (10000000-) Bracket, Hose Guide                        | 1    |
|      | 31       | 09023         | (10000000-) Screw, Hex, M08 X 1.25 X 35, Ss            | 2    |
|      | 32       | 08713         | (10000000-) Nut, Hex, Lock, M08 X 1.25, NI, Ss         | 2    |
|      | 33       | 374162        | (10000000-) Roller, Rwk                                | 1    |
|      | 34       | 51564         | (10000000-) Washer, 0.53b 1.75d .12, Stl, PI           | 2    |
|      | 35       | 397255        | (10000000-) Spring, Cmpr, 0.85od .08wir 2.0l           | 2    |
|      | 36       | 1029426       | (10000000-) Tube, Rnd, 0.50d 0.40b 04.3l, Ss           | 2    |
|      | 37       | 222197        | (10000000-) Pin, Clevis 0.50 Dia X 4.75Lg              | 1    |
|      | 38       | 76099         | (10000000-) Screw, Hex, M8 X 1.25 X 25, Fmg            | 2    |
|      | 39       | 51534         | (10000000-) Pin, Clevis, 0.50 D X 2.00l                | 1    |
|      | 40       | 140148        | (10000000-) Sleeve, P/M, 0.50b 0.63d 1.4l, Stl PI      | 2    |
|      | 41       | 32486         | (10000000-) Washer, Flat, 0.50 Sae                     | 2    |

▽ - Identifies an assembly

▲ - Identifies parts included in assembly

**Fig. 21 - Scrub Head Drive Group, Model 900C, 900 mm (36 in)**





**Fig. 21 - Scrub Head Drive Group, Model 900C, 900 mm (36 in)**

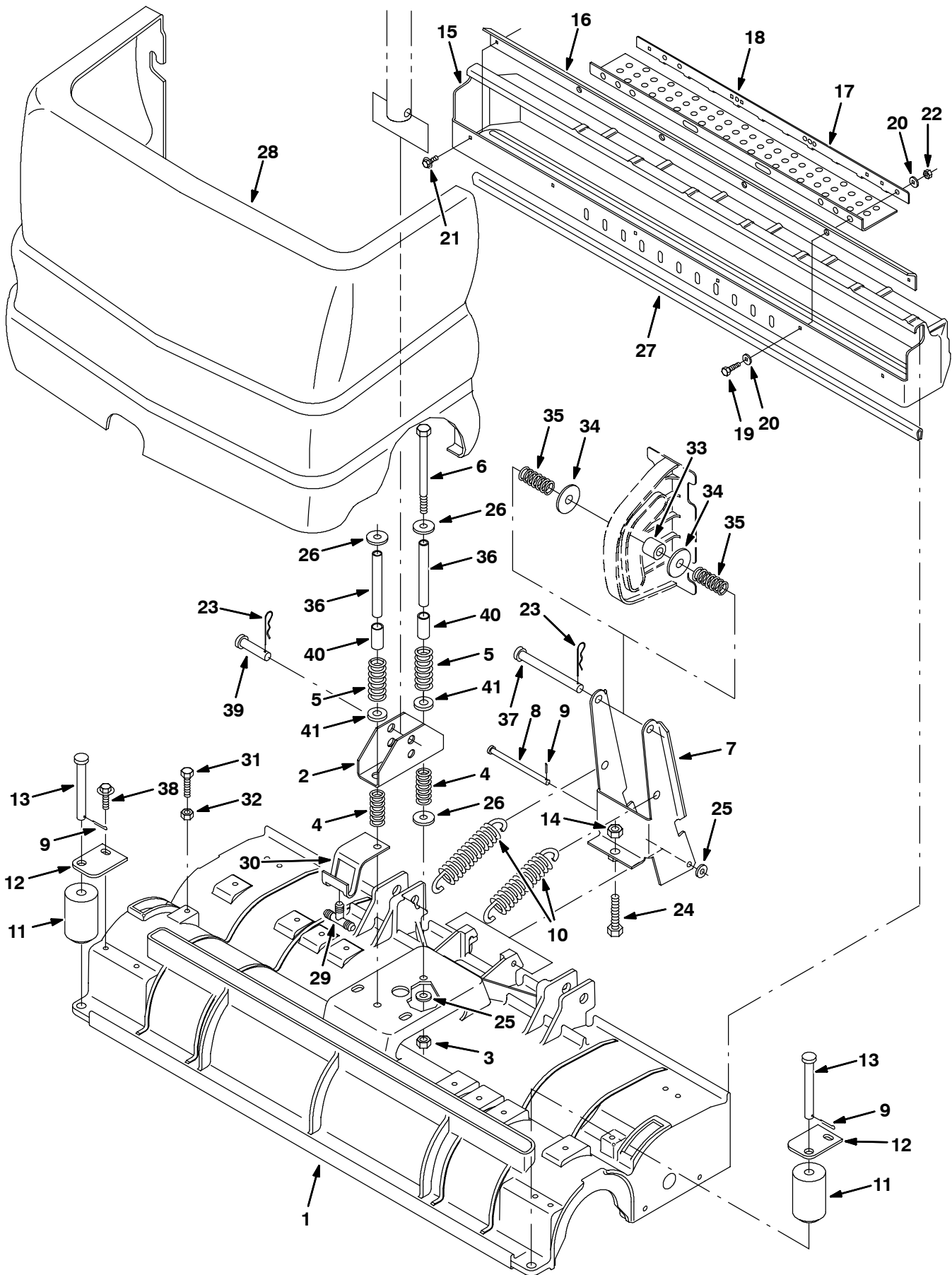
NOTE: Scrub Head Kit, Tennant Part Number 9002724, includes Fig. 21, and Fig. 22.

| Ref. | Part No. | Serial Number      | Description   | Qty.                                |   |
|------|----------|--------------------|---|-------------------------------------|---|
| 1    | 1038426  | (10355043-         | ) Motor, Ele, 36Vdc 1700Rpm 0.75Hp (See Breakdowns) | 2                                   |   |
|      | 375175   | (10000000-10355042 | ) Motor, Ele, 36Vdc 1700Rpm 0.75Hp (See Breakdowns) | 2                                   |   |
| 2    | 223564   | (10000000-         | ) Bracket, Mounting, Motor                          | 2                                   |   |
| 3    | 375195   | (10000000-         | ) Sprocket, Drive                                   | 2                                   |   |
| 4    | 08713    | (10000000-         | ) Nut-Hxlocnyln M 8X1.25 Reg Ss                     | 4                                   |   |
| 5    | 377505   | (10000000-         | ) Belt, Replmt, Brush Drive, F/222201               | 2                                   |   |
| ∇    | 222751   | (10000000-         | ) Plug Drive Assy                                   | 2                                   |   |
| ▲    | 6        | 222176             | (10000000-  | ) Shaft, Drive Plug                 | 1 |
| ▲    | 7        | 1040931            | (10000000-  | ) Plug, Drive, Brush                | 1 |
| ▲    | 8        | 41360              | (10000000-  | ) Bearing-Ball,0.59B 1.26D 0.35W    | 2 |
| ▲    | 9        | 01516              | (10000000-  | ) Ring,Retain,Ex,0.59Od,Basic       | 1 |
| ∇    | 374082   | (10000000-         | ) Door Assy, Brush                                  | 2                                   |   |
| ▲    | 10       | 1044145            | (10000000-  | ) Door, Brush                       | 1 |
| ▲∇   | 222752   | (10000000-         | ) Plug Idler Assy                                   | 1                                   |   |
| ▲▲   | 11       | 222177             | (10000000-  | ) Shaft, Idler Plug                 | 1 |
| ▲▲   | 12       | 222184             | (10000000-  | ) Pin, Roll                         | 1 |
| ▲▲   | 13       | 379202             | (10000000-  | ) Plug, Brush                       | 1 |
| ▲▲   | 14       | 01516              | (10000000-  | ) Ring,Retain,Ex,0.59Od,Basic       | 1 |
| ▲    | 15       | 222180             | (10000000-  | ) Skirt, Scrub Head                 | 1 |
| ▲    | 16       | 08713              | (10000000-  | ) Nut-Hxlocnylon M 8X1.25 Reg Ss    | 2 |
| ▲    | 17       | 222182             | (10000000-  | ) Bar, Support                      | 1 |
| ▲    | 18       | 74077              | (10000000-  | ) Scr-Flt M8 X 1.25 25 Ss           | 2 |
| ▲    | 19       | 390996             | (10000000-  | ) Scr-Flt M10 X 1.5 20, Ss NI       | 1 |
|      | 20       | 07810              | (10000000-  | ) Scr Flt M8 x 1.25 25              | 4 |
|      | 21       | 44961              | (10000000-  | ) Tie, Cable 4.00D Max 14.50 Lg     | 2 |
|      | 22       | 01684              | (10000000-  | ) Washer Flt .25 Ss                 | 4 |
|      | 23       | 74077              | (10000000-  | ) Screw, Flat,M 8X1.25 Ss           | 2 |
|      | 24       | 09740              | (10000000-  | ) Scr Hexssm 8X1.25                 | 2 |
|      | 25       | 01685              | (10000000-  | ) Washer, Flat, 0.38b 0.88d .08, Ss | 6 |
|      | 26       | 222209             | (10000000-  | ) Spring, Door                      | 2 |
|      | 27       | 222818             | (10000000-  | ) Scr-Set 8-32 X .25 Nylon Loc      | 4 |
|      | 28       | 223568             | (10000000-  | ) Skirt, Deflector                  | 2 |
|      | 29       | 223566             | (10000000-  | ) Bracket, Shield                   | 2 |
|      | 30       | 223569             | (10000000-  | ) Gasket, Shield                    | 2 |
|      | 31       | 223563             | (10000000-  | ) Shield, Belt                      | 2 |
|      | 32       | 15678              | (10000000-  | ) Screw, Hex, M06 X 1.0 X 16, Ss    | 4 |
|      | 33       | 223560             | (10000000-  | ) Guard, Belt, Rh                   | 1 |
|      | 34       | 223561             | (10000000-  | ) Guard, Belt, Lh                   | 1 |
|      | 35       | 76099              | (10000000-  | ) Scr-Hxfmg M8 X 1.25 25            | 4 |
|      | 36       | 222180             | (10000000-  | ) Skirt, Scrub Head                 | 2 |
|      | 37       | 222182             | (10000000-  | ) Bar, Support                      | 2 |
|      | 38       | 222820             | (10000000-  | ) Seal, Ring                        | 2 |
|      | 39       | 06942              | (10000000-  | ) Screw, Hex, M06-1.0 X 16          | 4 |
|      | 40       | 1010506            | (10000000-  | ) Tool, Removal, Shaft, F/ 222176   | 1 |
|      | 41       | 1025065            | (10000000-  | ) Harness, Motor, Brush             | 1 |

∇ - Identifies an assembly

▲ - Identifies parts included in assembly

Fig. 22 - Scrub Head Frame Group, Model 900C, 900 mm (36 in)



**Fig. 22 - Scrub Head Frame Group, Model 900C, 900 mm (36 in)**

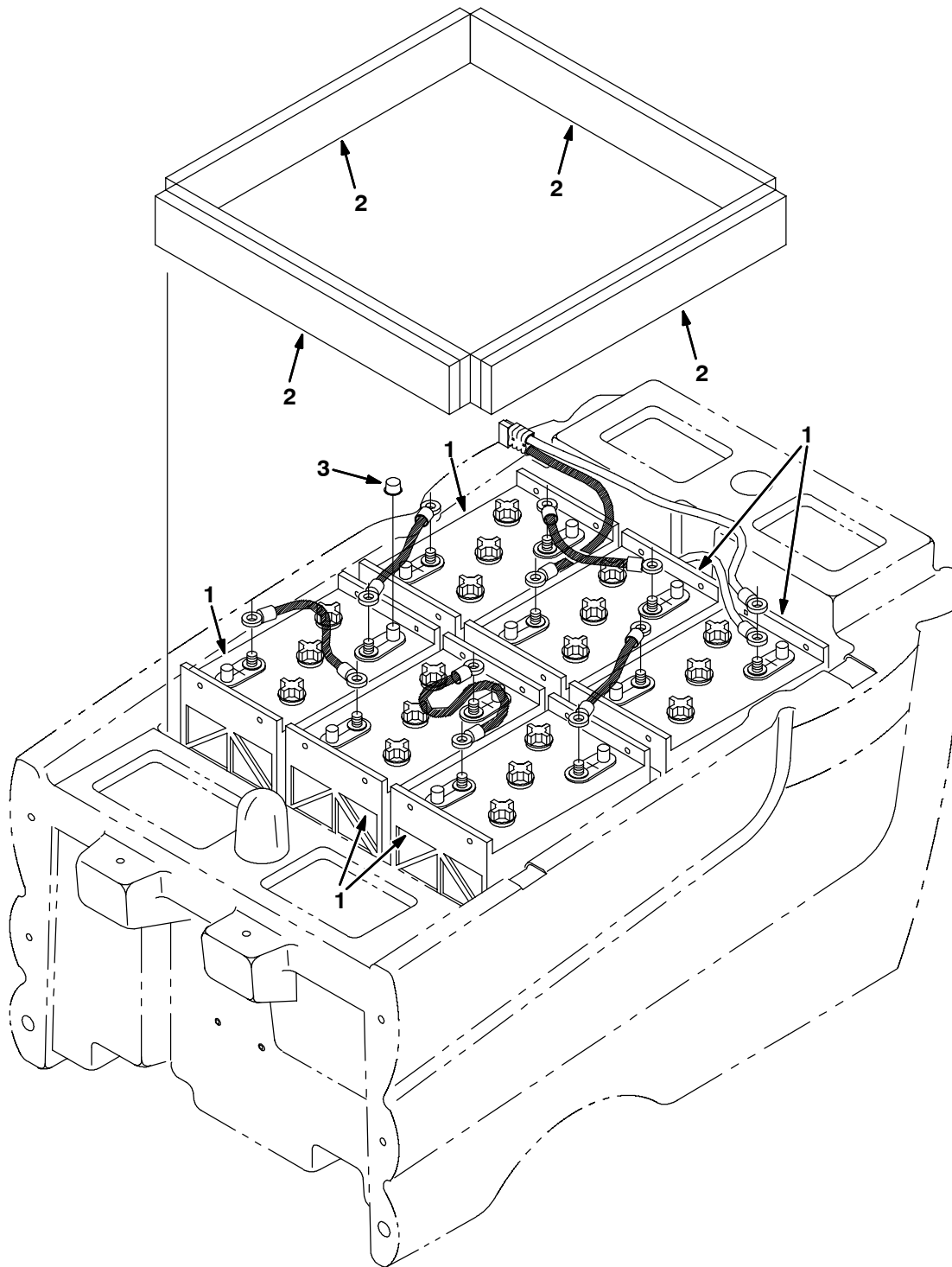
NOTE: Scrub Head Kit, Tennant Part Number 9002724, includes Fig. 21, and Fig. 22.

| Ref. | Part No. | Serial Number | Description                        | Qty.  |   |
|------|----------|---------------|------------------------------------|---|---|
| 1    | 1022252  | (10000000-    | ) Housing, Cyl, Mach, 900mm        | 1   |   |
| 2    | 1012088  | (10000000-    | ) Bracket, Mtg, Spring             | 1   |   |
| 3    | 59156    | (10000000-    | ) Nut, Hex, Lock, .38-16, NI, Ss   | 2   |   |
| 4    | 63185    | (10000000-    | ) Spring, Comp, .84Odx.10Wire 2.0L | 2   |   |
| 5    | 45261    | (10000000-    | ) Sprng, Comp, 0.74Idx.11Wire 2.5L | 2   |   |
| 6    | 20178    | (10000000-    | ) Screw, Hex, .38-16 X 5.50, 5     | 2   |   |
| 7    | 222838   | (10000000-    | ) Bracket, Pivot                   | 1   |   |
| 8    | 222207   | (10000000-    | ) Pin, Clevis, 0.31Dia X4.5Lg      | 1   |   |
| 9    | 08346    | (10000000-    | ) Pin, Cotter .125X0.75            | 3   |   |
| 10   | 222363   | (10000000-    | ) Spring, Tension                  | 2   |   |
| 11   | 222178   | (10000000-    | ) Roller, Bumper                   | 2   |   |
| 12   | 222179   | (10000000-    | ) Bracket, Mounting, Roller        | 2   |   |
| 13   | 222196   | (10000000-    | ) Pin, Roller                      | 2   |   |
| 14   | 39312    | (10000000-    | ) Nut, Hex, Std, M10 X 1.5         | 1   |   |
| ▽    | 222826   | (10000000-    | ) Debris Tray Kit, 36 in           | 1   |   |
| ▲    | 15       | 9005728       | (10000000-                         | ) Tray, Debris, 36.0l, Afmkt, [5680/5700]   | 1 |
| ▲    | 16       | 222205        | (10000000-                         | ) Lip, Debris Tray, 36"                     | 1 |
| ▲    | 17       | 222669        | (10000000-                         | ) Skirt, Debris Tray                        | 1 |
| ▲    | 18       | 222670        | (10000000-                         | ) Strip, Debris Tray                        | 1 |
| ▲    | 19       | 09007         | (10000000-                         | ) Scr-Hexssm6X1.0 25                        | 4 |
| ▲    | 20       | 01684         | (10000000-                         | ) Washer Flt .25 Ss                         | 8 |
| ▲    | 21       | 74455         | (10000000-                         | ) Scr-Hxfmg M6 X 1.0 20                     | 2 |
| ▲    | 22       | 08708         | (10000000-                         | ) Nut, Hex, Lock, M6 X 1.0, NI              | 4 |
|      | 23       | 02942         | (10000000-                         | ) Pin, Cotter, Hair, 0.62d .120 Wi          | 2 |
|      | 24       | 05720         | (10000000-                         | ) Scr-Hexssm10X1.5 40 Full Thd              | 1 |
|      | 25       | 01685         | (10000000-                         | ) Washer, Flat, 0.38b 0.88d .08, Ss         | 3 |
|      | 26       | 32662         | (10000000-                         | ) Washer, Flat, 0.38b 1.22d .06, Ss         | 3 |
|      | 27       | 374006        | (10000000-                         | ) Channel                                   | 1 |
|      | 28       | 9005801       | (10000000-                         | ) Cover, Front, Teal, Afmkt [5680/5700 Cyl] | 1 |
|      | 29       | 222536        | (10000000-                         | ) Fitting-Plastic Tee 06Bm/06Bm/            | 1 |
|      | 30       | 222523        | (10000000-                         | ) Bracket, Hose Guide                       | 1 |
|      | 31       | 09023         | (10000000-                         | ) Screw, Hex, M08 X 1.25 X 35, Ss           | 2 |
|      | 32       | 08713         | (10000000-                         | ) Nut, Hex, Lock, M08 X 1.25, NI, Ss        | 2 |
|      | 33       | 374162        | (10000000-                         | ) Roller, Rwk                               | 1 |
|      | 34       | 51564         | (10000000-                         | ) Washer, 0.53b 1.75d .12, Stl, PI          | 2 |
|      | 35       | 397255        | (10000000-                         | ) Spring, Cmpr, 0.85od .08wir 2.0l          | 2 |
|      | 36       | 1029426       | (10000000-                         | ) Tube, Rnd, 0.50d 0.40b 04.3l, Ss          | 2 |
|      | 37       | 222197        | (10000000-                         | ) Pin, Clevis 0.50 Dia X 4.75Lg             | 1 |
|      | 38       | 76099         | (10000000-                         | ) Screw, Hex, M8 X 1.25 X 25, Fmg           | 2 |
|      | 39       | 51534         | (10000000-                         | ) Pin, Clevis, 0.50 D X 2.00l               | 1 |
|      | 40       | 140148        | (10000000-                         | ) Sleeve, P/M, 0.50b 0.63d 1.4l, Stl PI     | 2 |
|      | 41       | 32486         | (10000000-                         | ) Washer, Flat, 0.50 Sae                    | 2 |

▽ - Identifies an assembly

▲ - Identifies parts included in assembly

**Fig. 23 - Battery Kit, Heavy Duty Wet, 335AH**

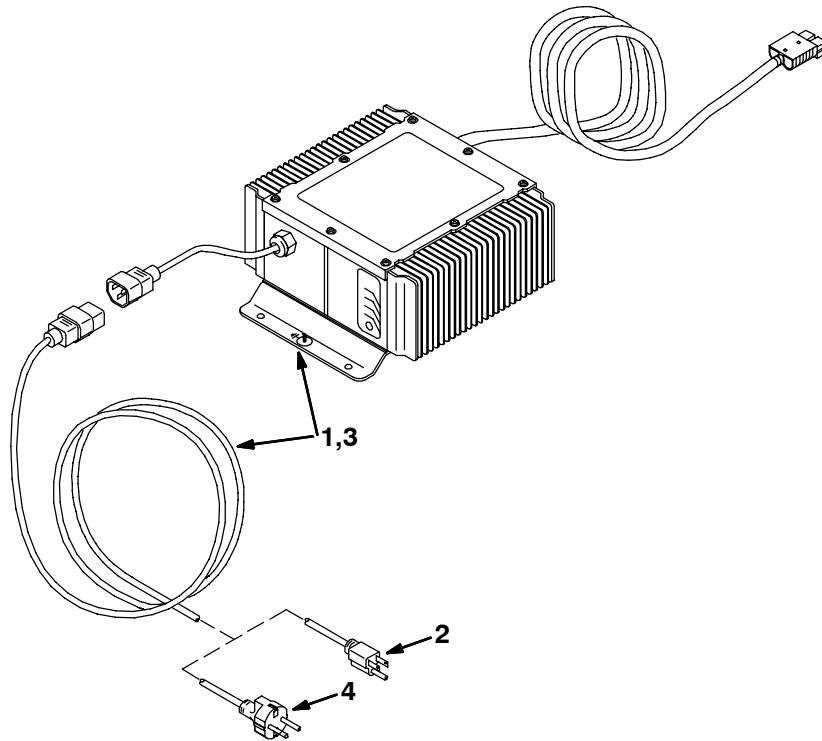


| Ref. | Part No. | Serial Number | Description                    | Qty. |
|------|----------|---------------|--------------------------------|------|
| ▽    | 222777   | (10000000-    | ) Battery Kit 36V 335Ah Wet    | 1    |
| ▲    | 1 222846 | (10000000-    | ) Battery, 6V, Res Cap:196 Wet | 6    |
| ▲    | 2 222473 | (10000000-    | ) Spacer, Battery .62X1.5X21.0 | 6    |
| ▲    | 3 223641 | (10000000-    | ) Cap, Battery                 | 6    |

▽ - Identifies an assembly

▲ - Identifies parts included in assembly

Fig. 24 - Battery Charger Group



|   | Ref. | Part No. | Serial Number | Description                           | Qty. |
|---|------|----------|---------------|---------------------------------------|------|
| ▽ | 1    | 9001055  | (10000000-    | ) Charger Kit, Battery, Ci [Domestic] | 1    |
| ▲ | 2    | 1017079  | (10000000-    | ) Cord, Ele, Chrgr [Onboard]          | 1    |

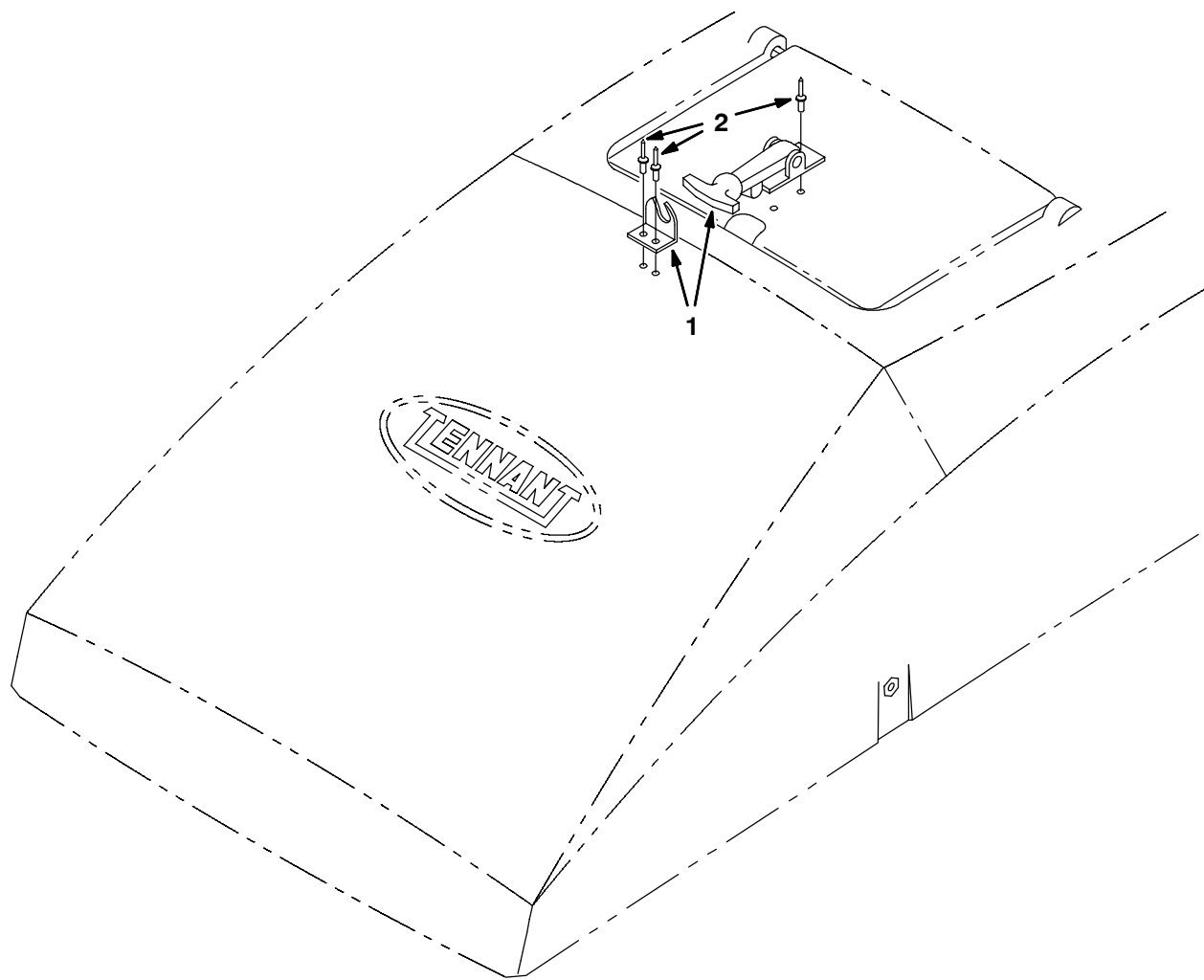
**International Only**

|   | Ref. | Part No. | Serial Number | Description                          | Qty. |
|---|------|----------|---------------|--------------------------------------|------|
| ▽ | 3    | 9001054  | (10000000-    | ) Charger Kit, Ci [Export/Euro/Asai] | 1    |
| ▲ | 4    | 1019242  | (10000000-    | ) Cord, Ele, Chrgr [European]        | 1    |

▽ - Identifies an assembly

▲ - Identifies parts included in assembly

**Fig. 25 - Transport Group**

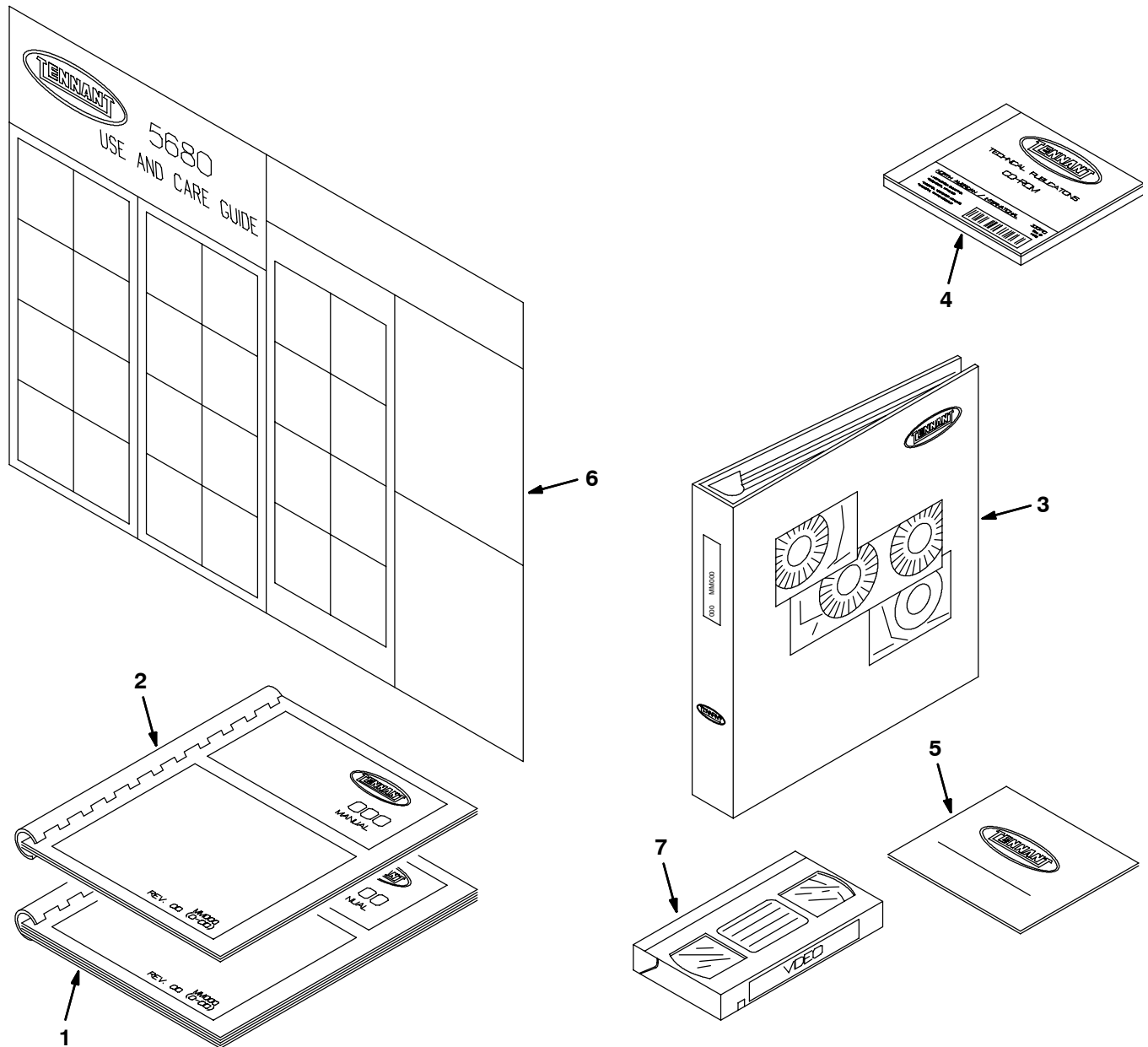


| Ref. | Part No. | Serial Number | Description                      | Qty. |
|------|----------|---------------|----------------------------------|------|
| ▽    | 398030   | (10000000-    | ) Kit, Ci, Demo, [5680]          | 1    |
| ▲    | 1 11636  | (10000000-    | ) Latch, Draw, Flexible          | 1    |
| ▲    | 2 01335  | (10000000-    | ) Rivet, Pop-.125Dx.44X.25Dhd Al | 4    |

▽ - Identifies an assembly

▲ - Identifies parts included in assembly

Fig. 26 - Documentation Group



| Ref. | Part No. | Serial Number | Description                              | Qty. |
|------|----------|---------------|--|------|
| 1    | 331178   | (1000000- )   | Manual, Parts [5680 Ele Na/Jp 10000000-] | 1    |
| 2    | 331176   | (1000000- )   | Manual, Oprtr [5680, Ele Na 10000000-]   | 1    |
| 2    | 331540   | (1000000- )   | Manual, Oprtr [5680 Ele Es Na 10000000-] | 1    |
| 2    | 331541   | (1000000- )   | Manual, Oprtr [5680 Ele Fr Na 10000000-] | 1    |
| 3    | MM406    | (1000000- )   | Manual, Service                          | 1    |
| 4    | 330710   | (1000000- )   | Manual, Cd-Rom, Oprtr & Parts, All (NA)  | 1    |
| 5    | 374361   | (1000000- )   | Cd-Rom, Oprtr, Training [5680]           | 1    |
| 6    | 398477   | (1000000- )   | Instr, Mach, Wall Chart [5680]           | 1    |
| 7    | 374360   | (1000000- )   | Video, Oprtr, Vhs, Training [5680]       | 1    |

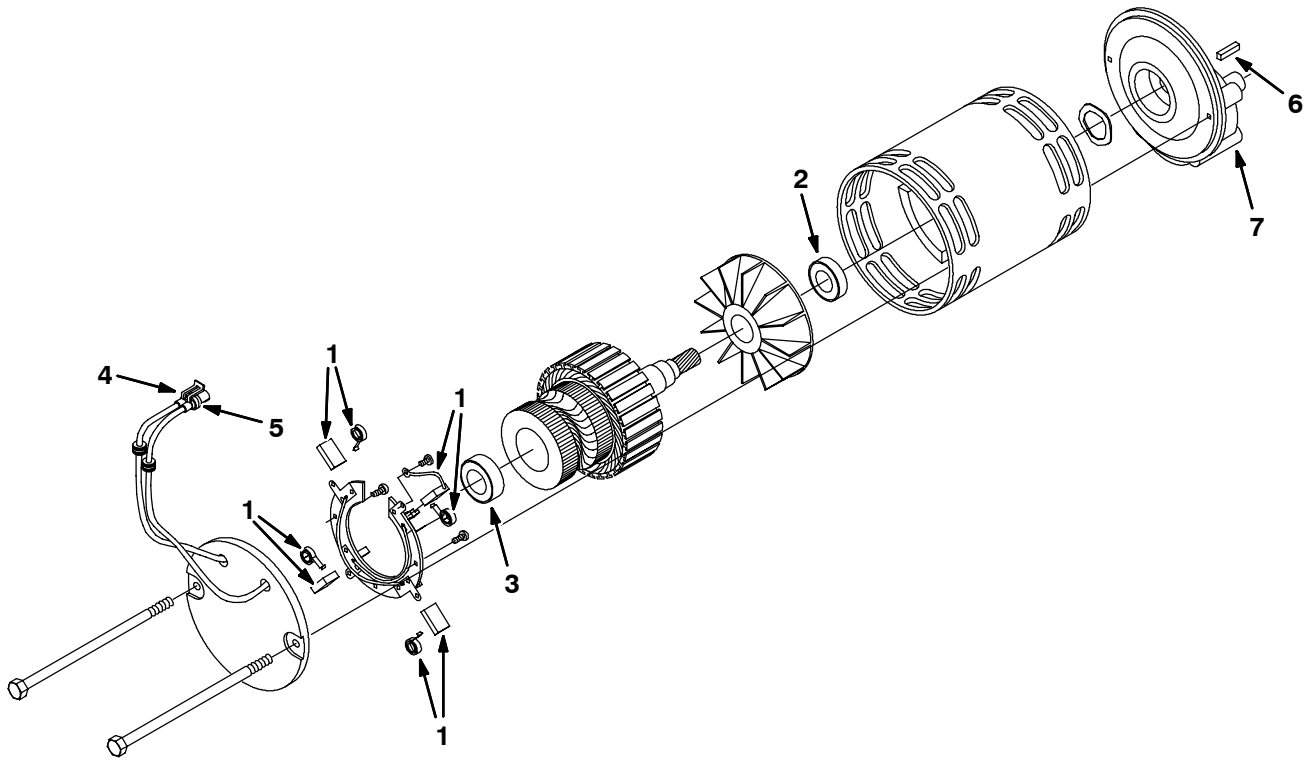




# SECTION 4

| <b>Contents</b>  | <b>Page</b> |
|--|-------------|
| Fig. 1 - Electric Motor Breakdown, 397815 . . . . .                    | 4-2         |
| Fig. 2 - Electric Motor Breakdown, 1038426 . . . . .                   | 4-3         |
| Fig. 3 - Electric Motor Breakdown, 375175 . . . . .                    | 4-4         |
| Fig. 4 - Transaxle Motor Breakdown, 1031761 . . . . .                  | 4-5         |
| Fig. 5 - <i>ec-H2O</i> Module Assembly Breakdown,<br>9004561 . . . . . | 4-6         |
| Fig. 6 - FaST Injector Assembly Breakdown,<br>9004079 . . . . .        | 4-8         |

**Fig. 1 - Electric Motor Breakdown, 397815**

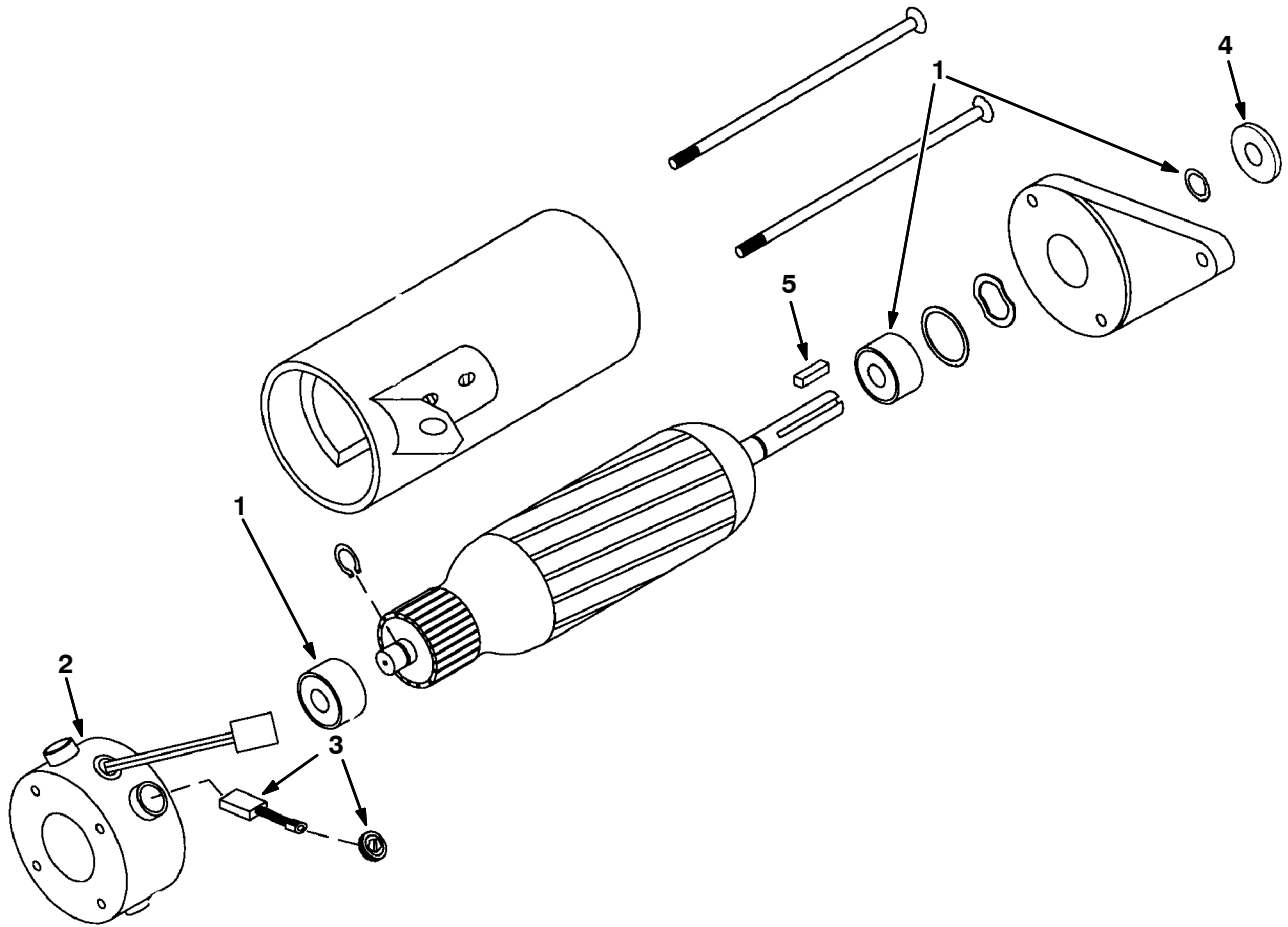


| Ref. | Part No. | Serial Number | Description                           | Qty.                                  |   |
|------|----------|---------------|---------------------------------------|---------------------------------------|---|
| ▽    | 397815   | (10000000-    | ) Motor, Ele, 36vdc 0.75hp 0200rpm. A | 1                                     |   |
| ▲    | 1        | 222606        | (10000000-                            | ) Brush Kit                           | 1 |
| ▲    | 2        | 222618        | (10000000-                            | ) Bearing                             | 1 |
| ▲    | 3        | 222617        | (10000000-                            | ) Bearing                             | 1 |
| ▲    | 4        | 10925         | (10000000-                            | ) Connector, Fem, 2cav [Mp630 Sealed] | 1 |
| ▲    | 5        | 24537         | (10000000-                            | ) Terminal, Fem, 10/12ga [Mp630 P2s]  | 2 |
| ▲    | 6        | 00928         | (10000000-                            | ) Key Square 0.25 0.25 01.00 Lg       | 1 |
| ▲    | 7        | 374005        | (10000000-                            | ) Gearbox, Motor                      | 1 |

▽ - Identifies an assembly

▲ - Identifies parts included in assembly

**Fig. 2 - Electric Motor Breakdown, 1038426**

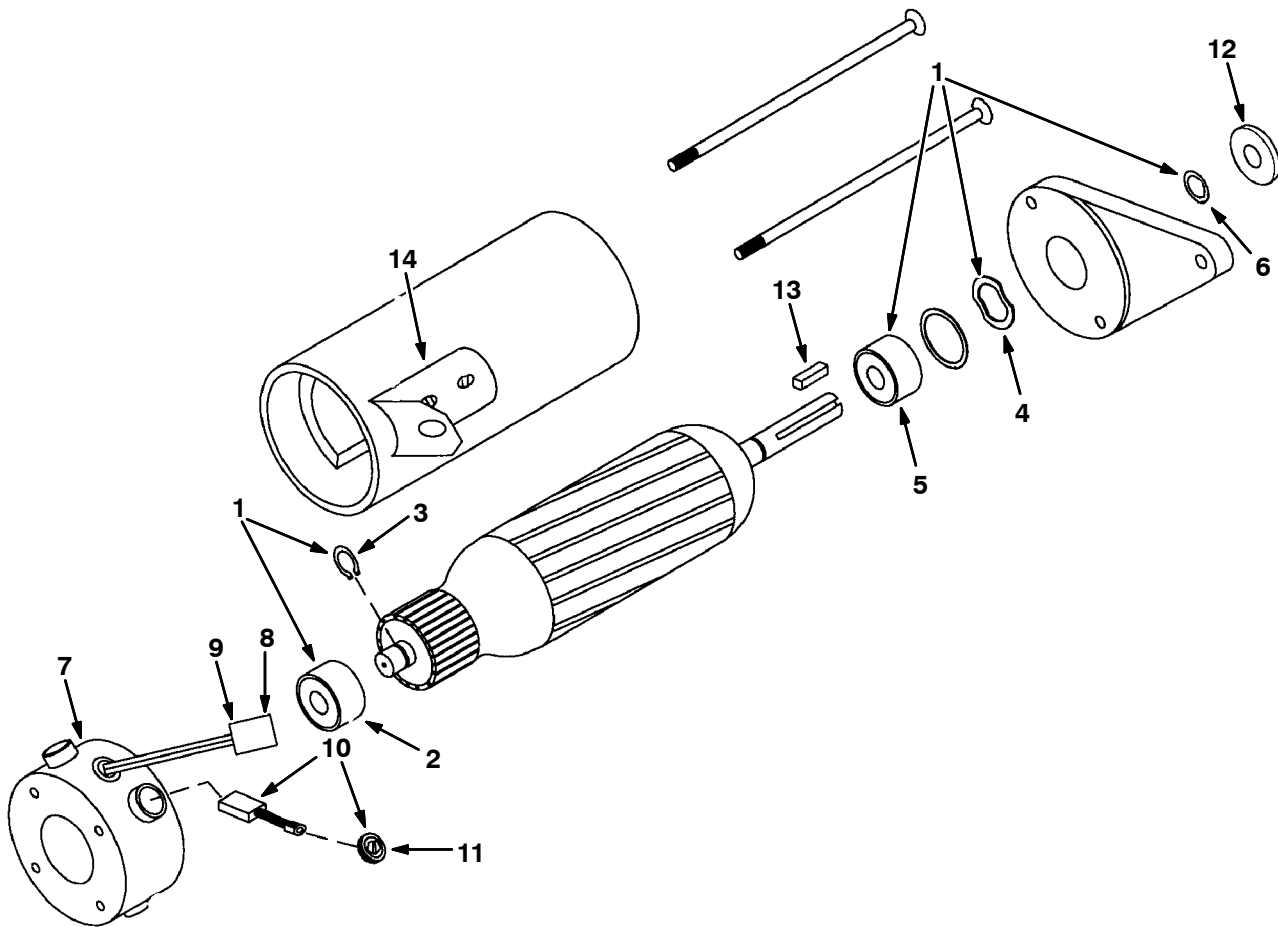


| Ref. | Part No. | Serial Number      | Description                        | Qty. |
|------|----------|--------------------|------------------------------------|------|
| ▽    | 1038426  | (10355043-         | ) Motor, Ele, 36Vdc 1700Rpm 0.75Hp | 1    |
| ▲    | 1        | 1039816 (10355043- | ) Bearing Kit, Motor, Ele          | 1    |
| ▲    | 2        | 1039818 (10355043- | ) Cap Assy, Brush, Ele Motor       | 1    |
| ▲    | 3        | 1039817 (10355043- | ) Brush Kit, Motor, Ele            | 1    |
| ▲    | 4        | 20536-2 (10355043- | ) Washer, 0.47b 1.19d .03, Nyl     | 1    |
| ▲    | 5        | 00954 (10355043-   | ) Key, Sq, 0.12 X 0.12, 01.00l     | 1    |

▽ - Identifies an assembly

▲ - Identifies parts included in assembly

**Fig. 3 - Electric Motor Breakdown, 375175**

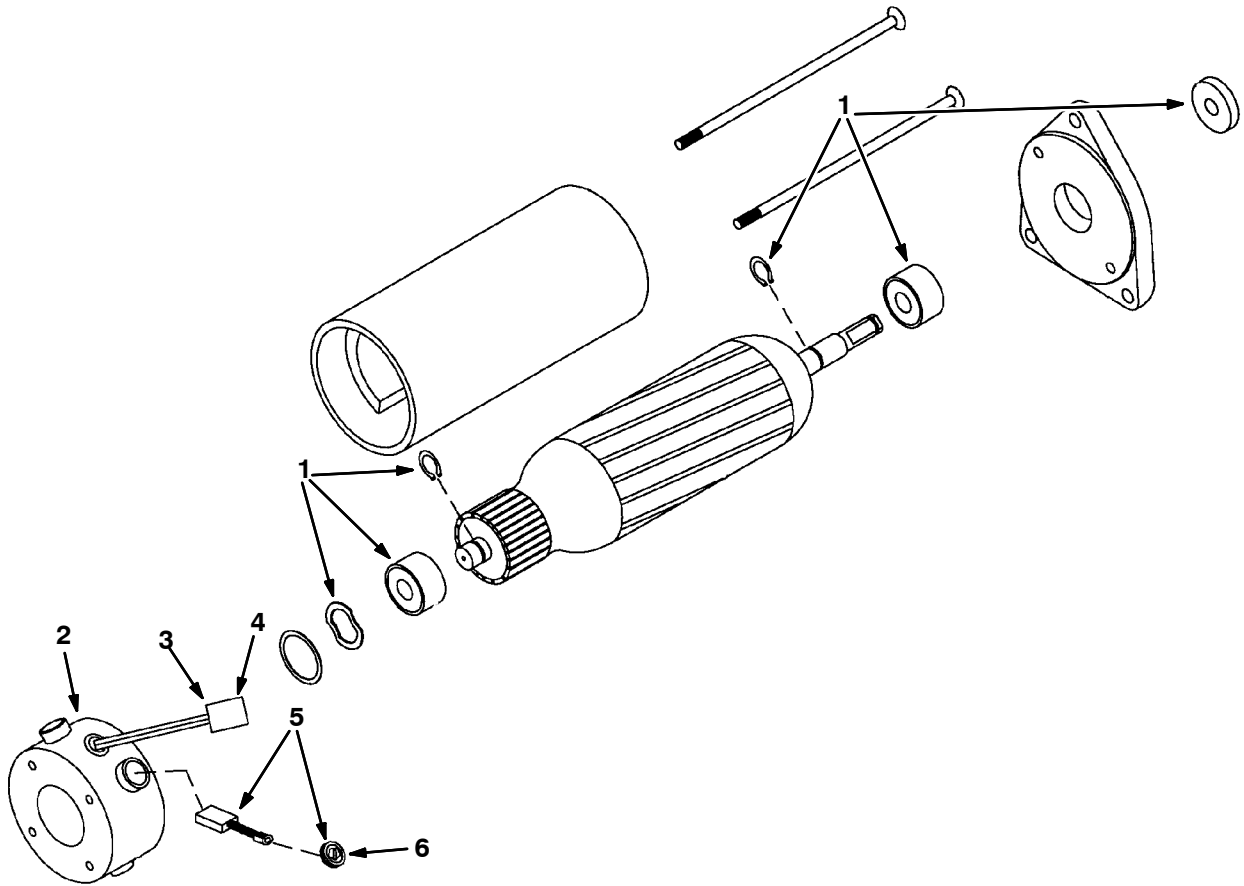


| Ref. | Part No.   | Serial Number        | Description                             | Qty. |
|------|------------|----------------------|---|------|
| ▽    | 375175     | (10000000-10355042 ) | Motor Assy, Ele, 36Vdc, 0.75Hp, 1700Rpm | 1    |
| ▲▽   | 1 375176   | (10000000-10355042 ) | Kit, Motor Bearing                      | 1    |
| ▲▲   | 2 222635   | (10000000-10355042 ) | Bearing                                 | 1    |
| ▲▲   | 3 222637   | (10000000-10355042 ) | Ring, Snap                              | 1    |
| ▲▲   | 4 375177   | (10000000-10355042 ) | Washer, Spring                          | 1    |
| ▲▲   | 5 375178   | (10000000-10355042 ) | Bearing, Drive End                      | 1    |
| ▲▲   | 6 375179   | (10000000-10355042 ) | Seal                                    | 1    |
| ▲▽   | 7 374004   | (10000000-10355042 ) | Endbell, Brush End, Motor-Ele           | 1    |
| ▲▲   | 8 10925    | (10000000-10355042 ) | Connector, 2-Conductor                  | 1    |
| ▲▲   | 9 24537    | (10000000-10355042 ) | Terminal, Female                        | 2    |
| ▲▽   | 10 222625  | (10000000-10355042 ) | Kit, Brush                              | 1    |
| ▲▲   | 11 222629  | (10000000-10355042 ) | Cap, Brush Holder                       | 4    |
| ▲    | 12 20536-2 | (10000000-10355042 ) | Washer, 0.47b 1.19d .03, Nyl            | 1    |
| ▲    | 13 00954   | (10000000-10355042 ) | Key, Sq, 0.12 X 0.12, 01.00l            | 1    |
| ▲    | 14 222877  | (10000000-10355042 ) | Kit, Brace                              | 1    |

▽ - Identifies an assembly

▲ - Identifies parts included in assembly

**Fig. 4 - Transaxle Motor Breakdown, 1031761**



| Ref. | Part No. | Serial Number                | Description                      | Qty. |
|------|----------|------------------------------|----------------------------------|------|
| ▽    | 1031761  | (10000000-10364537 )         | Motor, Ele, 36vdc 2000rpm 0.50hp | 1    |
| ▲▽   | 1        | 374271 (10000000-10306808 )  | Bearing Kit, Motor, Ele          | 1    |
|      |          | 1034372 (10306809-10364537 ) | Bearing Kit, Motor, Ele          | 1    |
| ▲▽   | 2        | 374003 (10000000-10364537 )  | End Ass'y, Brush                 | 1    |
| ▲▲   | 3        | 10925 (10000000-10364537 )   | Connector, 2 Conductor           | 1    |
| ▲▲   | 4        | 24537 (10000000-10364537 )   | Terminal, Female                 | 2    |
| ▲▽   | 5        | 222625 (10000000-10306808 )  | Brush Kit                        | 1    |
|      |          | 1034373 (10306809-10364537 ) | Brush Kit                        | 1    |
| ▲▲   | 6        | 222629 (10000000-10306808 )  | Brush Holder Cap                 | 4    |
|      |          | 1034375 (10306809-10364537 ) | Brush Cap Assy                   | 4    |

▽ - Identifies an assembly

▲ - Identifies parts included in assembly

**Fig. 5 - ec-H2O Module Assembly Breakdown, 9004561**

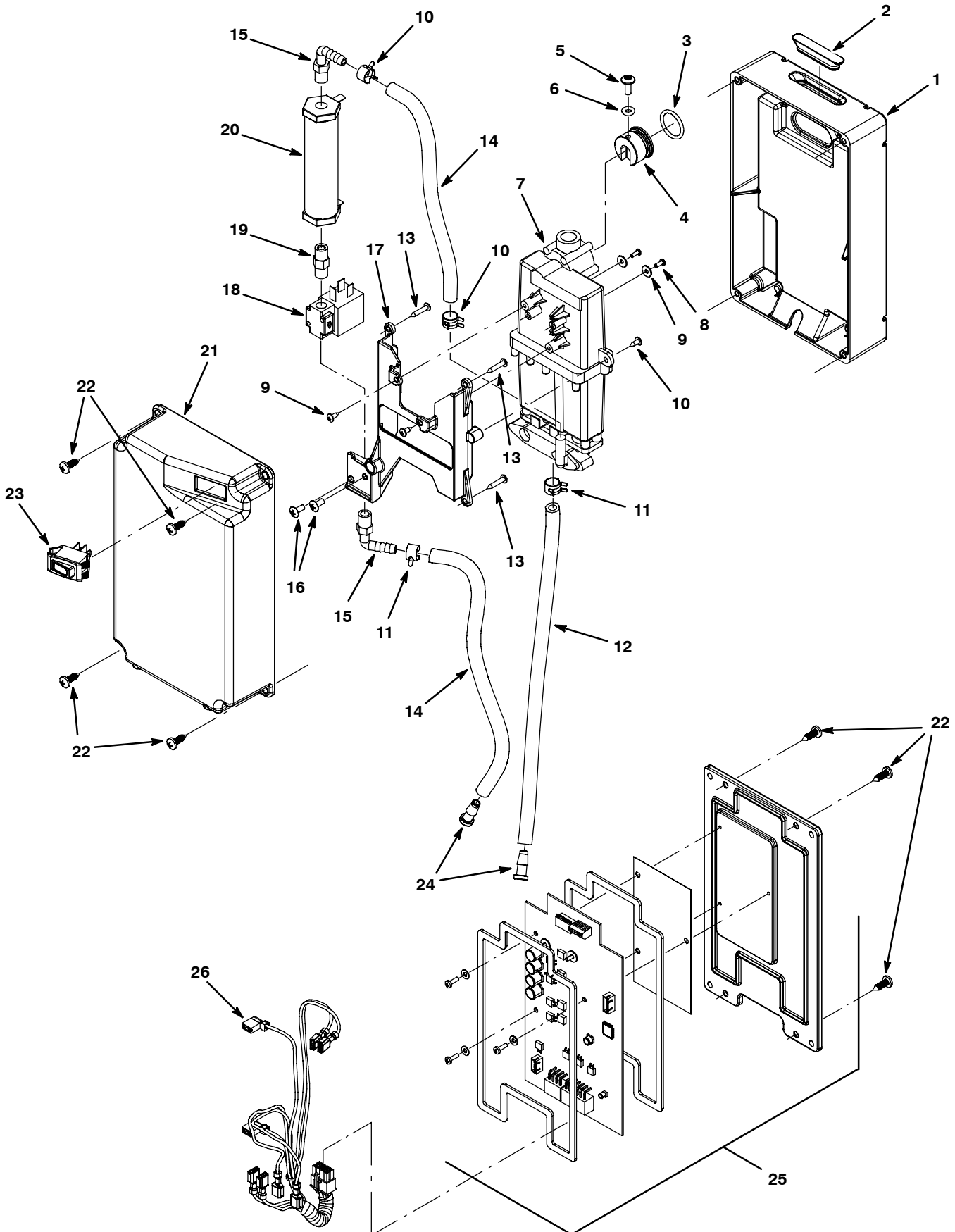


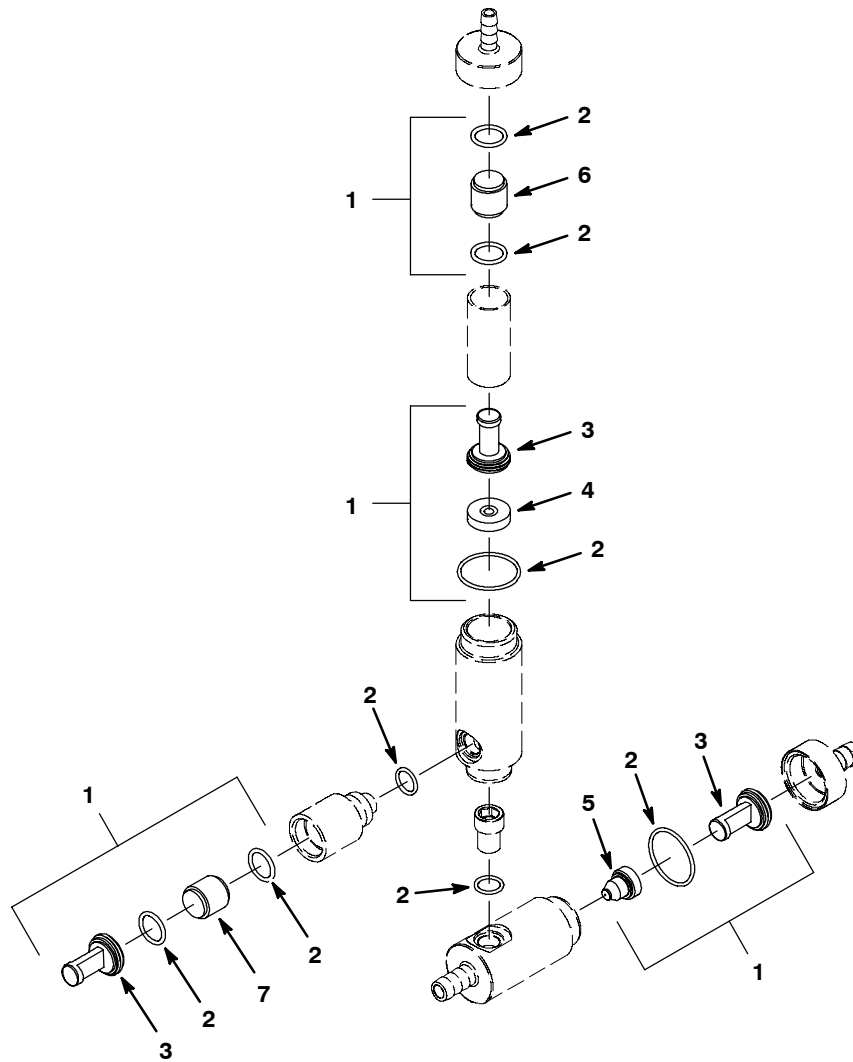
Fig. 5- *ec-H2O* Module Assembly Breakdown, 9004561

| Ref. | Part No.     | Serial Number | Description                                 | Qty. |
|------|--------------|---------------|---|------|
| ▽    | 9004561      | (10403557-    | ) Module, Water, Afmtk [Echo]               | 1    |
| ▲    | 1 1037032    | (10403557-    | ) Housing, Bottom                           | 1    |
| ▲    | 2 1050431    | (10403557-    | ) Grommet, Blind                            | 1    |
| ▲    | 3 1038220    | (10403557-    | ) Seal, Org, .799 X .103, Viton             | 1    |
| ▲    | 4 1038276    | (10403557-    | ) Plug, Cell                                | 1    |
| ▲    | 5 609062     | (10403557-    | ) Screw, Trs, M5 X 0.80 X 12, Phl, Ss       | 1    |
| ▲    | 6 1038277    | (10403557-    | ) Seal, Org, .206 X .103, Viton             | 1    |
| ▲    | 7 1033963    | (10403557-    | ) Electrode, 5 Plate                        | 1    |
| ▲    | 8 578860     | (10403557-    | ) Screw, Pan, Phl, 04-40 X 0.31, PI         | 2    |
| ▲    | 9 02892      | (10403557-    | ) Washer, Flat, 0.12b 0.38d .03, Stl, PI    | 2    |
| ▲    | 10 3701.6    | (10403557-    | ) Screw, Pan, Phl, 06-32 X 0.38, Shtmtl, Ss | 4    |
| ▲    | 11 603654    | (10403557-    | ) Clamp, Hose, Ear, .44d [Ctb]              | 4    |
| ▲    | 12 9004606   | (10403557-    | ) Hose, Pvc, Brd, .25id .45od 46l, Clr      | 1    |
| ▲    | 13 140826    | (10403557-    | ) Screw, Pan, 06-32 X 0.75, Fmg/Ab, Ss      | 4    |
| ▲    | 14 578820000 | (10403557-    | ) Hose, Pvc, Brd, 0.25id 0.44od 157.2l, Clr | 1    |
| ▲    | 15 1037595   | (10403557-    | ) Fitting, Plstc, E90, Bm04/Pm02, Nyl       | 2    |
| ▲    | 16 140801    | (10403557-    | ) Screw, Trs, Phl, 08-32 X 0.38, Ss         | 2    |
| ▲    | 17 1038618   | (10403557-    | ) Adapter, Cell                             | 1    |
| ▲    | 18 1013236   | (10403557-    | ) Valve, Shutoff, Ele, 24vdc                | 1    |
| ▲    | 19 1045030   | (10403557-    | ) Fitting, Brs, Str, Pm02/Pm02              | 1    |
| ▲    | 20 1038159   | (10403557-    | ) Electrode, Cylindrical                    | 1    |
| ▲    | 21 1037034   | (10403557-    | ) Housing, Upper                            | 1    |
| ▲    | 22 1018155   | (10403557-    | ) Screw, Pan, Phl, M5 X 0.80 X 16, Tcut, Ss | 8    |
| ▲    | 23 1044393   | (10403557-    | ) Switch, Rocker, Spst, Mom,                | 1    |
| ▲    | 24 1046259   | (10403557-    | ) Plug, Hose, Nyl, .25 Id                   | 2    |
| ▲    | 25 9004220   | (10403557-    | ) Kit, Replmt, Controller, Echo             | 1    |
|      | 26 1044399   | (10403557-    | ) Harness, Main, Controlboard [Echo P3]     | 1    |

▽ - Identifies an assembly

▲ - Identifies parts included in assembly

**Fig. 6 - FaST Injector Assembly Breakdown, 9004079**



| Ref. | Part No. | Serial Number | Description                                | Qty.  |   |
|------|----------|---------------|--|---|---|
| ▽    | 9004079  | (10346875-    | ) Fast Kit, Injector [5680/5700, Fast li+] | 1   |   |
| ▲    | 1        | 9004084       | (10346875-                                 | ) FaST Kit, Ci, [Inj Reblid, 5680/5700]     | 1 |
| ▲    | 2        | 9003008       | (10346875-                                 | ) FaST Kit, Ci, Injector Seals [FaST II+]   | 1 |
| ▲    | 3        | 9003009       | (10346875-                                 | ) FaST Kit, Ci, Injector Filters [FaST II+] | 1 |
| ▲    | 4        | 1043313       | (10346875-                                 | ) Plate Assy, Orifice, 0.0082id, Gray       | 1 |
| ▲    | 5        | 1039579       | (10346875-                                 | ) Plug, Orifice, 0.033, Ss {[FaST II+]      | 1 |
| ▲    | 6        | 1030444       | (10346875-                                 | ) Valve, Check, 0002psi, White, [FaST II+]  | 1 |
| ▲    | 7        | 1030441       | (10346875-                                 | ) Valve, Check, 0005psi, Brown, [FaST II+]  | 1 |

▽ - Identifies an assembly

▲ - Identifies parts included in assembly