

### SPECIFICATIONS:

**MODEL NUMBER:** 8000-082-255

**PUMP DESIGN:** Positive Displacement 3 Chamber Diaphragm Pump

**CHECK VALVE:** (2-Way Op.) Prevents Reverse Flow & 6 Ft. Head Forward Flow

**CAM:** 2.5 Degree

**MOTOR:** Permanent Magnet, P/N 11-119-05

**VOLTAGE:** 36 VDC Nominal

**PRESSURE SWITCH:** Adjustable Shut-Off (Range 40-60 PSI)

Factory Set @ 50 PSI, Turn On 35 PSI  $\pm$  5 PSI

**LIQUID TEMPERATURE:** 180 Degrees Fahrenheit (82 Degrees Centigrade) Max.

**PRIME:** Self-Priming Up To 5 Ft. Vertical,  
Max. Inlet Pressure 30 PSI (2.1 Bar)

**PORTS:** 3/8"-18 NPT Female

**MATERIAL OF CONSTRUCTION:**

**PLASTICS-** Nylon

**VALVES-** Viton

**DIAPHRAGM-** Viton

**FASTENERS-** Zinc Plated Steel

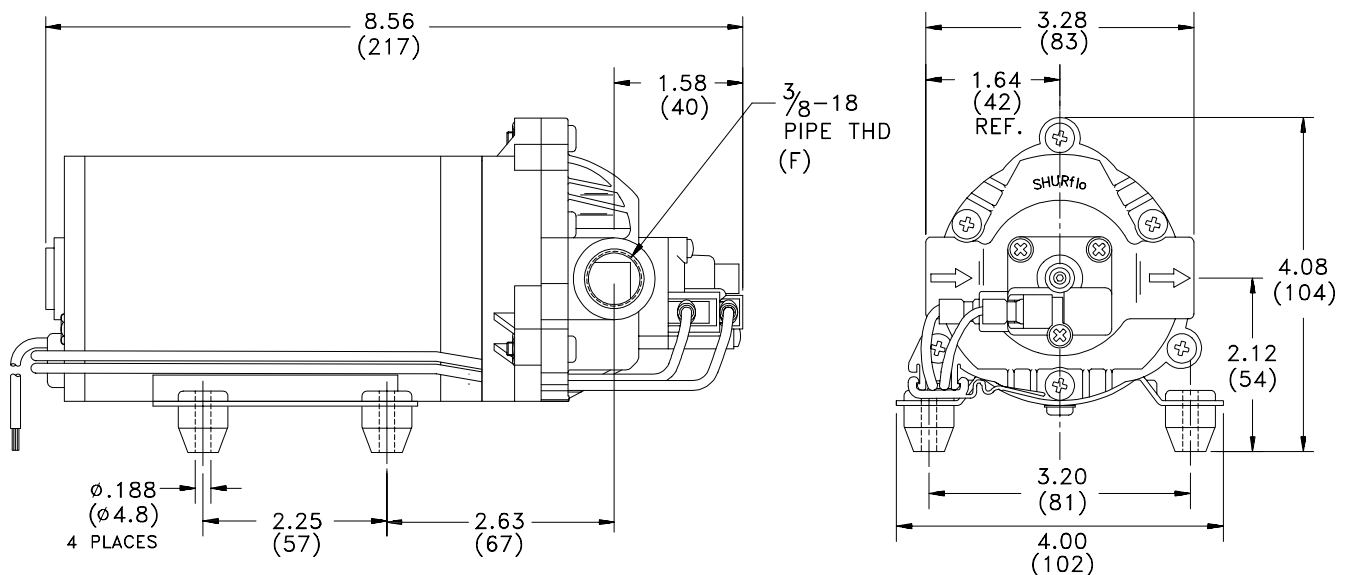
**NET WEIGHT:** 5.3 Lbs (2.4 Kg)

**DUTY CYCLE:** Continuous (See Temperature Rise Chart)

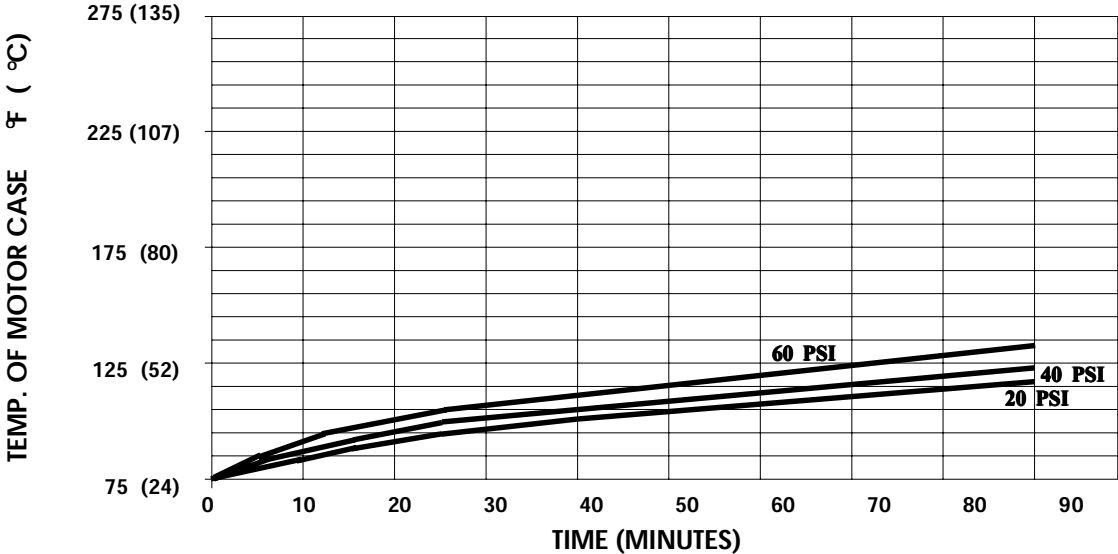
**TYPICAL APPLICATIONS:** Soil Extraction

**BYPASS:** 45 PSI

### DIMENSIONS:

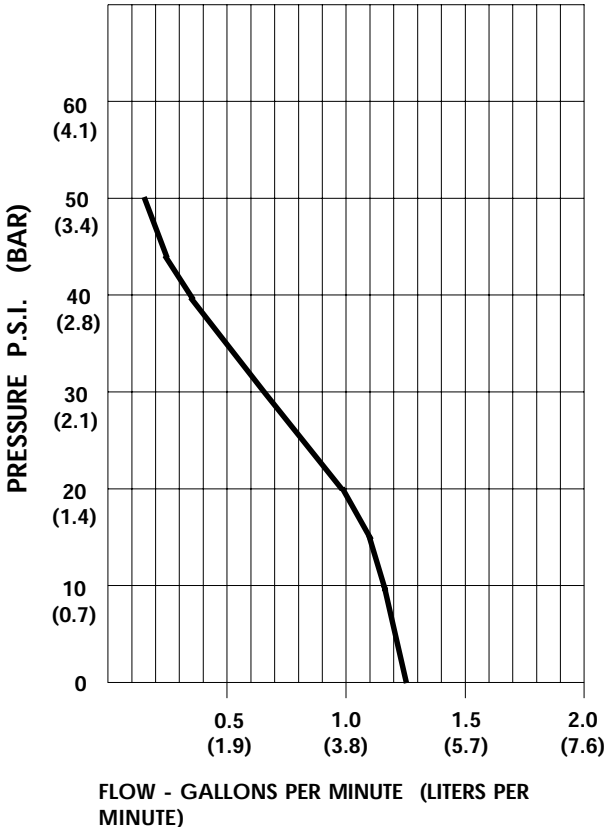


**TEMPERATURE RISE**



THIS GRAPH IS FOR USE AS A DESIGN GUIDE. IT IS BASED ON RUNNING CONTINUOUSLY WITH AN AMBIENT TEMPERATURE OF 70° F IN STILL AIR.

**TYPICAL PERFORMANCE**



PRESSURE (PSI)	FLOW (GPM/LIT)	RPM MIN/MAX	CURRENT (AMPS)	VOLTAGE (VOLTS)
OPEN	1.23/4.6	2015/2535	0.91	36 VDC
10	1.16/4.4	1990/2500	1.06	"
20	1.00/3.7	1970/2460	1.24	"
30	0.64/2.4	1945/2430	1.39	"
40	0.34/1.3	1870/2400	1.54	"
50	0.14/0.5	1855/2350	1.67	"

*-SPECIFICATIONSSUBJECTTOCHANGEWITHOUTNOTICE.  
-ALLDATABASEDONTESTINGWITHWATERATAMBIENTTEMPERATURE.*