



MARINE PRODUCT DATA SHEET

OEM: 2901-0203
AFTERMARKET: 2901-0213

The Next Generation SHURflo pumps guarantee quiet operation and smooth performance while providing the ultimate in durability and reliability. Designed and built specially for the harsh marine environment, the Next Generation SHURflo pumps are equipped with sealed switches and seamless e-coated motors.

TYPICAL APPLICATIONS

Multi-fixture marine fresh water installation. Other uses may include 12V DC pressurized water systems in cabins. This pump may be used for general water transfer. For other applications contact SHURflo.

PUMP:

Type: 3 Chamber Diaphragm
 Ports: 1/2"-14 NPSM-Male.
 Liquid: 130 °F [54 °C] Max
 Prime: 6 feet [1.82 M]
 Inlet PSI: 30 PSI [2.1 Bar] Max
 Run Dry: Yes

ELECTRICAL:

Motor: 12VDC Permanent Magnet, Intermittent Duty
 Protection: Thermal Overload, Automatic Restart
 Leads: 16 AWG, 16" [40 cm] Red +, 13" [33 cm] Black -
 Fuse: 7 Amp Recommended
 Control: Adjustable Switch. Shut-Off 30 PSI [2.0 Bar] ± 5 PSI [0.4 Bar]
 Restart 15 PSI [1.0 Bar] ± 5 PSI [0.4 Bar]

MATERIALS:

Housing: Polypro
 Valves: EPDM
 Diaphragm: Santoprene
 Hardware: Stainless Steel

APPROVALS:

Ignition Protected, CE, ISO 8846

WARRANTY:

3 Year Limited Warranty
 See SB-1050 For Full Warranty Details

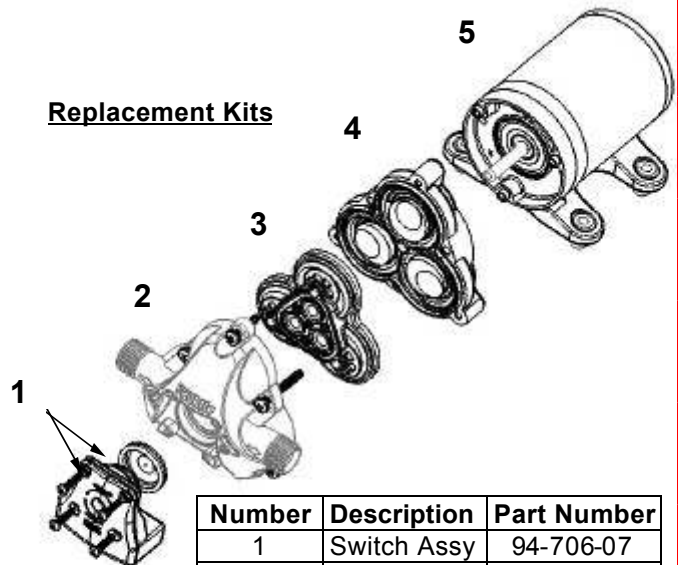
SHIPPING:

Net Weight (Boxed): 4.8 Lb [2.2 Kg] each
 Carton Weight: 58 Lb [26.3 Kg]
 Carton Size: 24"L x 18"W x 11"H
 [60.9 cm x 45.7 cm x 27.9 cm]

RELATED DOCUMENTS:

Catalog: MS-030-140
 Installation Manual: 911-740
 Maintenance: 911-740
 Applications Spec Guide: MS-020-005
 Warranty: SB-1050

Replacement Kits

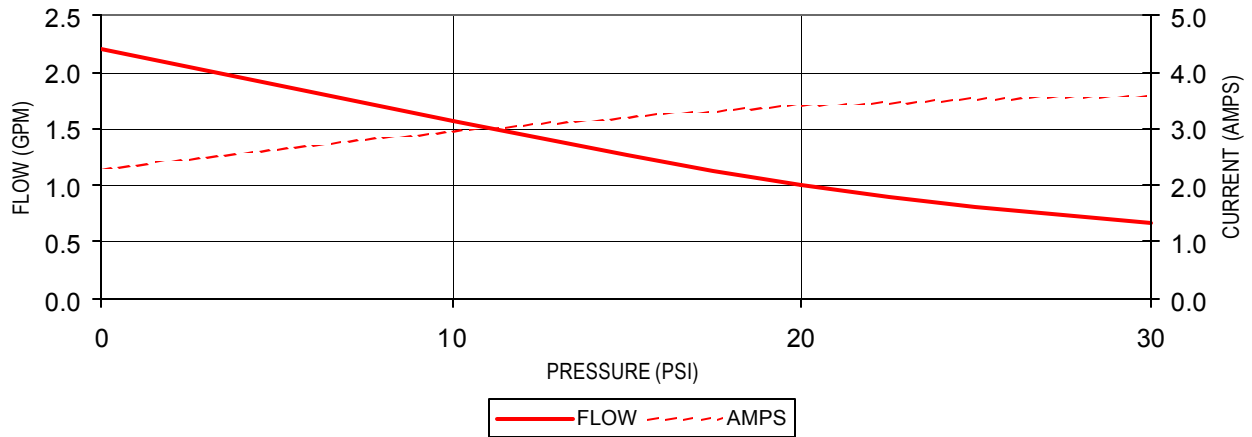


Number	Description	Part Number
1	Switch Assy	94-706-07
2	Upper Hsg	94-706-01
3	Valve Assy	94-706-02
4	Drive Assy	94-706-06
5	Motor	77-035-17

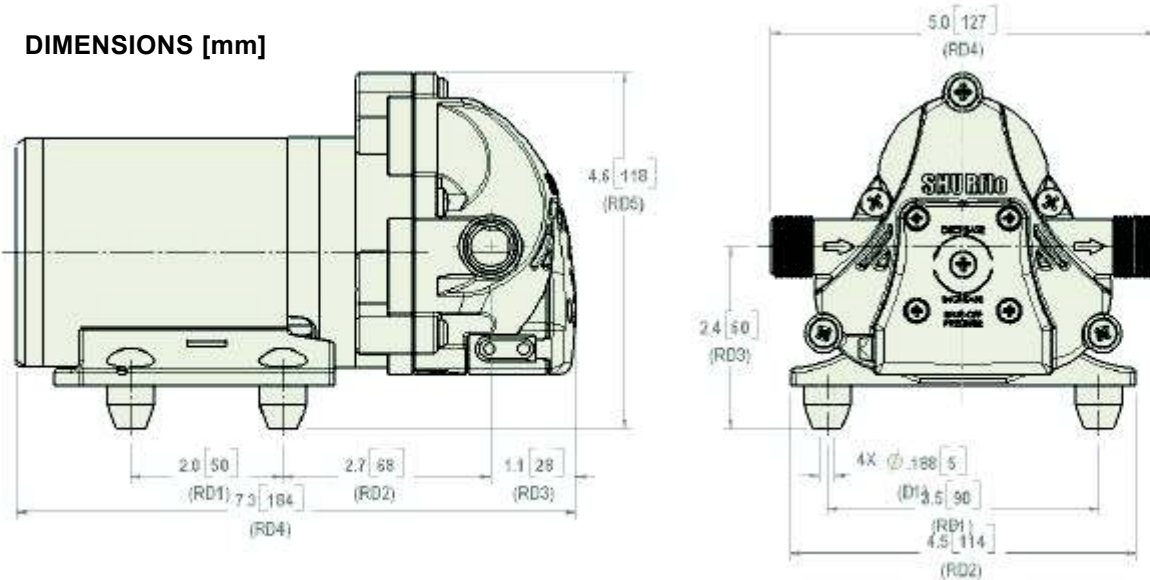


PERFORMANCE @ 12V DC

PRESSURE		FLOW		CURRENT
BAR	PSI	GPM	LPM	AMPS
0.0	0	2.20	8.32	2.30
0.7	10	1.58	5.98	2.95
1.4	20	1.00	3.78	3.41
2.1	30	0.68	2.57	3.60



DIMENSIONS [mm]



*ISO Registered Facility SHURflo reserves the right to update specifications, prices, or make substitutions.

SHURflo *
5900A Katella Ave.
Cypress, Ca. 90630
(800) 854-3218 (562) 795-5200
FAX (562) 795-7554
Shipping/UPS: 5900C Katella Ave.
Cypress, Ca. 90630

SHURflo East
52748 Park Six Court
Elkhart, IN 46514-5427
(800) 762-809 (574) 262-0478
FAX (574) 264-2169
Http://www.shurflo.com
© 2001

SHURflo Ltd. *
Unit 5 Sterling Park
Gatwick Road, Crawley
West Sussex, RH10 2QT
United Kingdom
+44 1293 424000
FAX +44 1293 421880

